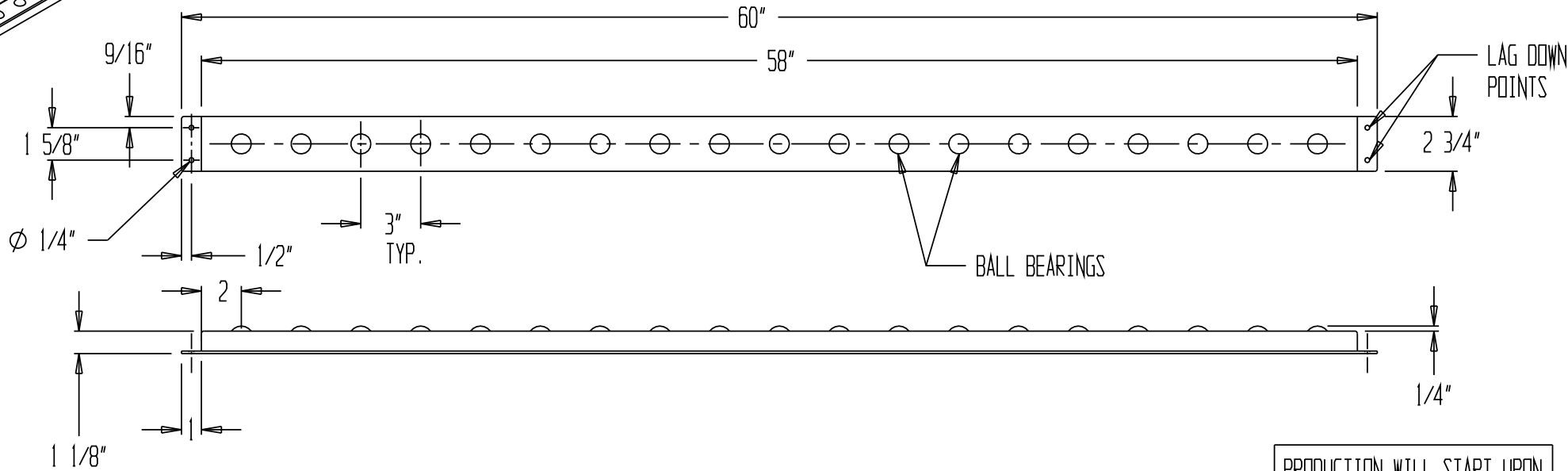
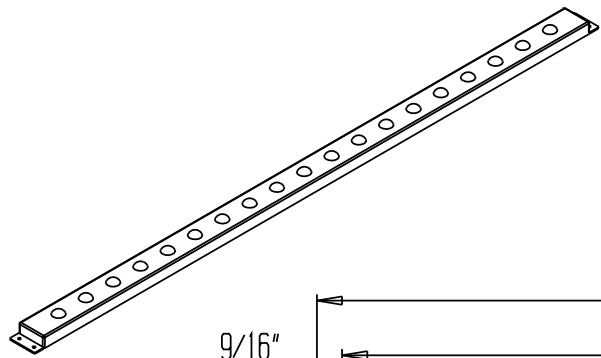


BALL TRANSFER STRIPS, BALL-S60



PRODUCTION WILL START UPON
RECEIPT OF SIGNED APPROVAL
DRAWING

STANDARD FEATURES

- MODEL NUMBER: BALL-S60
- LENGTH: 60"
- HEIGHT: 1 1/8"
- NO. OF BALL BEARINGS: 19
- BALL SPACING: 3"
- BALL BEARING HEIGHT: 1/4"
- CAPACITY PER BALL: 75 LBS
- 4 LAG DOWN POINTS

**SPECIAL UNITS ARE NON-RETURNABLE
*AVAILABLE AT ADDITIONAL COSTS

APPROVAL

I, the undersigned, hereby approve this print
 As drawn As marked
 This includes my approval of design & dimensions.
 Signed: _____
 Date: _____

DISTRIBUTOR'S NAME: T & S EQUIPMENT		P.O.#:
DRAWN BY:		W.O.#:
DATE:	SALES:	
REFERENCE:	DRWG./FILE NAME: 30-007-044	
SCALE 1:8		