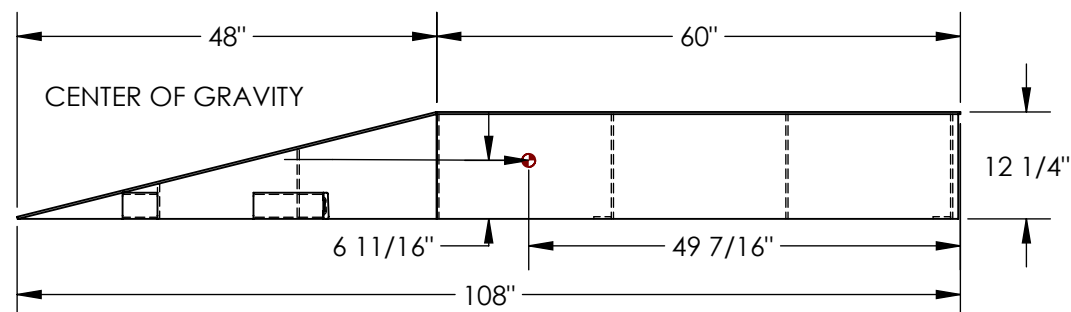
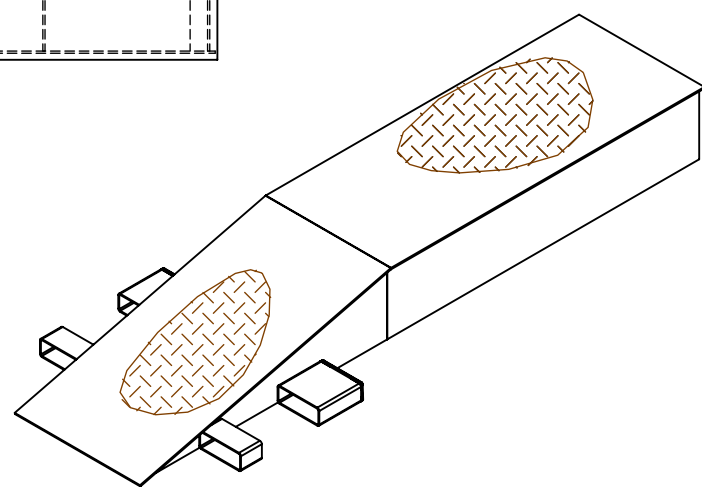
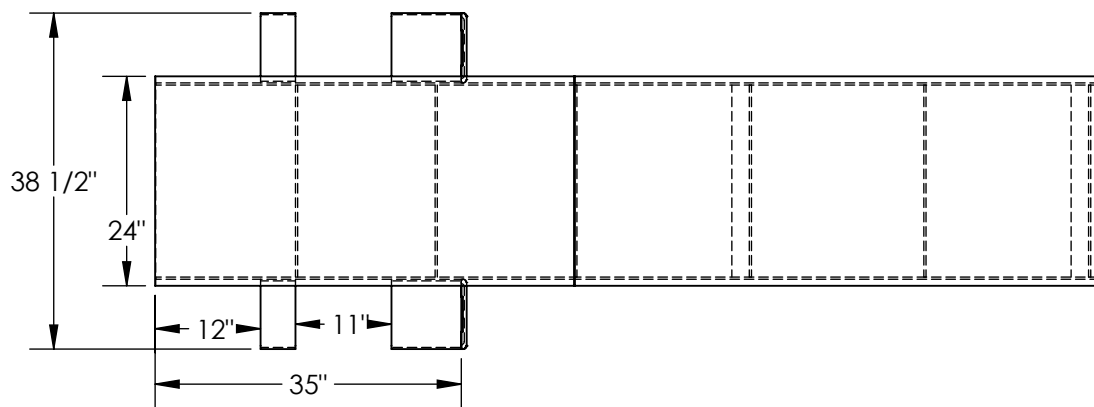


# STEEL WHEEL RISER - SWR-24-12-108

APPROX WEIGHT: 482.42 lbs.  
 DOES NOT INCLUDE WEIGHT OF POWER OR PACKAGING!!!

\*\*\*ANY ADDITIONS, DELETIONS, OR OMISSIONS MUST BE CORRECTED ON THIS DRAWING AS THIS DRAWING WILL BE CONSIDERED ALL INCLUSIVE\*\*\*



|                       |  |
|-----------------------|--|
| FOR INTERNAL USE ONLY |  |
| PROJECT SIGN OFF      |  |
| SALES                 |  |
| ENG.                  |  |
| FAB.                  |  |
| POWER                 |  |

ALL GRAPHICS PROVIDED ARE FOR REFERENCE ONLY. IF CERTAIN DIMENSIONS ARE CRITICAL PLEASE VERIFY THOSE DIMENSIONS WITH YOUR SALESPERSON

DIMENSION TOLERANCE ± 1/4"

## STANDARD FEATURES

- MODEL NUMBER IS: SWR-24-12-108
- UNIFORM CAPACITY PER PAIR IS: 40,000 LBS
- OVERALL WIDTH IS: 38 1/2"
- USABLE WIDTH IS: 24"
- OVERALL LENGTH IS: 108"
- LEVEL LENGTH IS: 60"
- OVERALL HEIGHT IS: 12 1/4"
- TREADPLATE RAMP CONSTRUCTION
- USABLE FORK POCKET SIZE (W x H): 7 1/2" x 2 1/2"
- CAST STEEL END CAPS

## SPECIAL FEATURES

NONE

|   |  |  |
|---|--|--|
| <b>A<br/>P<br/>P<br/>R<br/>O<br/>V<br/>A<br/>L</b>                  | I, THE UNDERSIGNED, AGREE THAT THE PRODUCT AS REPRESENTED SATISFIES DESIGN AND DIMENSION REQUIREMENTS. I ALSO ACKNOWLEDGE MY DUTY TO CONFIRM PRODUCT AND INSTALLATION COMPLIANCE WITH ALL APPLICABLE FEDERAL, STATE AND LOCAL REGULATIONS AND STANDARDS. |  |
|   | <b>ANY MODIFIED UNITS ARE NON-RETURNABLE</b>   |  |
|   | [ ] As drawn      [ ] As marked  |  |
|   | Signed: _____ Date: _____  |  |
| Printed Name: _____   |  |  |
| <b>LEAD TIME WILL START UPON RECEIPT OF SIGNED APPROVAL DRAWING</b> |  |  |

|                             |             |            |
|-----------------------------|-------------|------------|
| DISTRIBUTOR'S NAME:         |             | P.O.#      |
| <b>VESTIL MANUFACTURING</b> |             | X          |
|                             |             | W.O.#      |
| DRAWN BY: ALH               |             | X          |
| DATE: 06/16/2011            |             | SALES: X   |
| REFERENCE: X                | SCALE: 1:22 | FILE NAME: |
| QUOTED LEAD TIME: X         | QUOTE # X   | 18-007-095 |