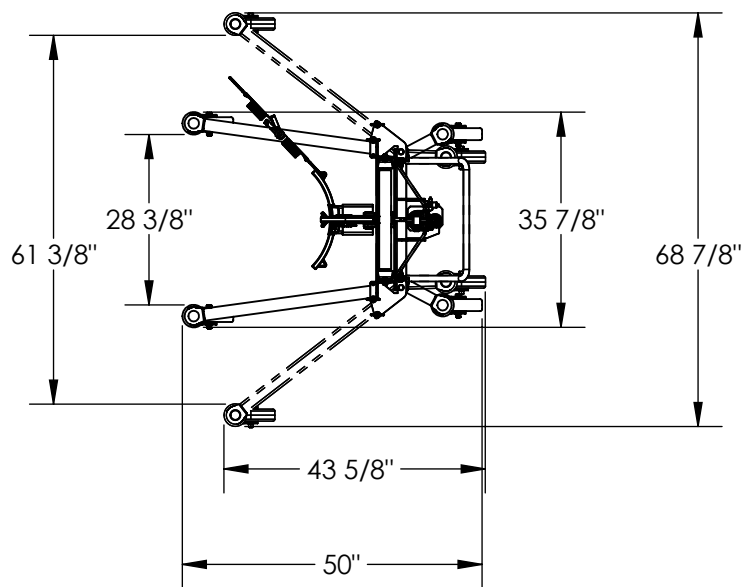


# ECONOMICAL DRUM TRANSPORT - DCR-880-H-HP

APPROX WEIGHT: 299.65 lbs.  
 DOES NOT INCLUDE WEIGHT OF POWER OR PACKAGING!!!

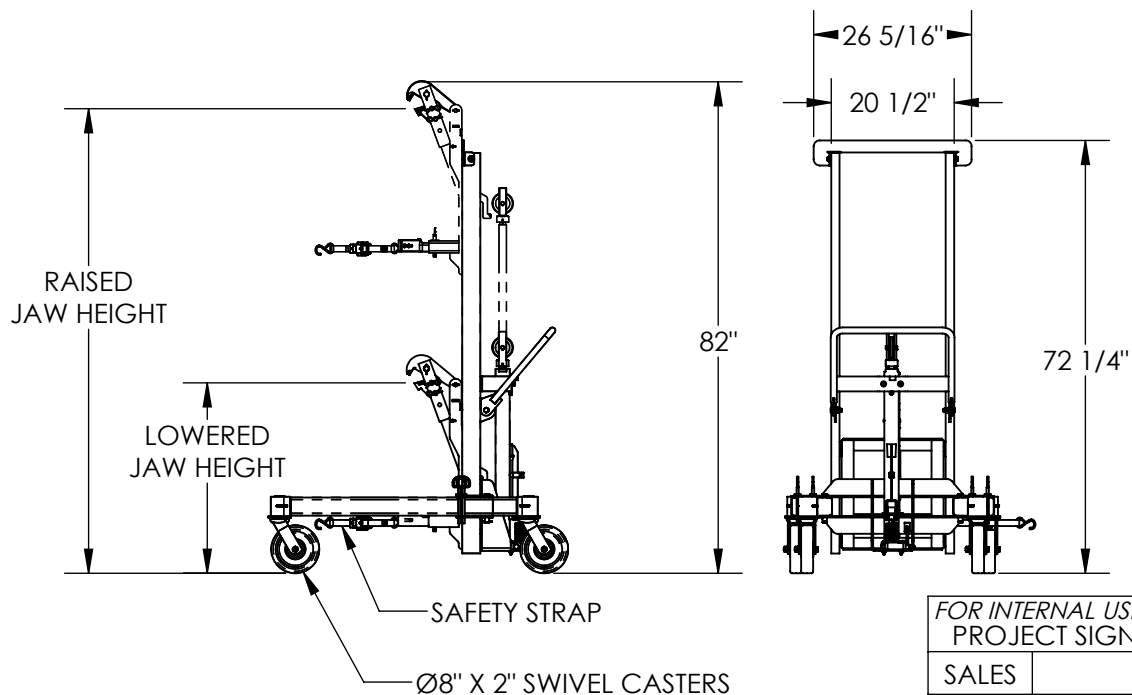
\*\*\* ANY ADDITIONS, DELETIONS, OR OMISSIONS MUST BE CORRECTED ON THIS DRAWING AS THIS DRAWING WILL BE CONSIDERED ALL INCLUSIVE \*\*\*

ALL GRAPHICS PROVIDED ARE FOR REFERENCE ONLY. IF CERTAIN DIMENSIONS ARE CRITICAL PLEASE VERIFY THOSE DIMENSIONS WITH YOUR SALESPERSON



## STANDARD FEATURES

MODEL NUMBER IS DCR-880-H-HP  
 CAPACITY IS 880 LBS.  
 MIN. OVERALL HEIGHT IS 72 1/4"  
 MAX. OVERALL HEIGHT IS 82"  
 MIN. OVERALL LENGTH IS: 43 5/8"  
 MAX. OVERALL LENGTH IS 50"  
 MIN. OVERALL WIDTH IS 35 7/8"  
 MAX OVERALL WIDTH IS 68 7/8"  
 MIN. INSIDE WIDTH 28 3/8"  
 MAX INSIDE WIDTH IS 61 3/8"  
 LOWERED JAW HEIGHT IS 31"  
 RAISED JAW HEIGHT IS 77 1/2"  
 FOOT PUMP OPERATION  
 CASTERS: 8 x 2 SWIVEL  
 INCLUDES SAFETY STRAP  
 TOUGH BAKED IN POWDER COATED YELLOW FINISH



## SPECIAL FEATURES

NONE

DIMENSION TOLERANCE ± 1/4"

<b>APPROVAL</b>	I, THE UNDERSIGNED, AGREE THAT THE PRODUCT AS REPRESENTED SATISFIES DESIGN AND DIMENSION REQUIREMENTS. I ALSO ACKNOWLEDGE MY DUTY TO CONFIRM PRODUCT AND INSTALLATION COMPLIANCE WITH ALL APPLICABLE FEDERAL, STATE AND LOCAL REGULATIONS AND STANDARDS.	
	<b>ANY MODIFIED UNITS ARE NON-RETURNABLE</b>	
	[ ] As drawn      [ ] As marked	
	Signed: _____	Date: _____
Printed Name: _____		
<b>LEAD TIME WILL START UPON RECEIPT OF SIGNED APPROVAL DRAWING</b>		

FOR INTERNAL USE ONLY PROJECT SIGN OFF	
SALES	
ENG.	
FAB.	
POWER	

DISTRIBUTOR'S NAME:		P.O.#
<b>VESTIL MANUFACTURING</b>		X
DRAWN BY: WHR		W.O.#
DATE: 2/22/2012		X
REFERENCE: X	SCALE: 1:32	SALES: X
QUOTED LEAD TIME: X	QUOTE #	FILE NAME:
	X	40-007-022