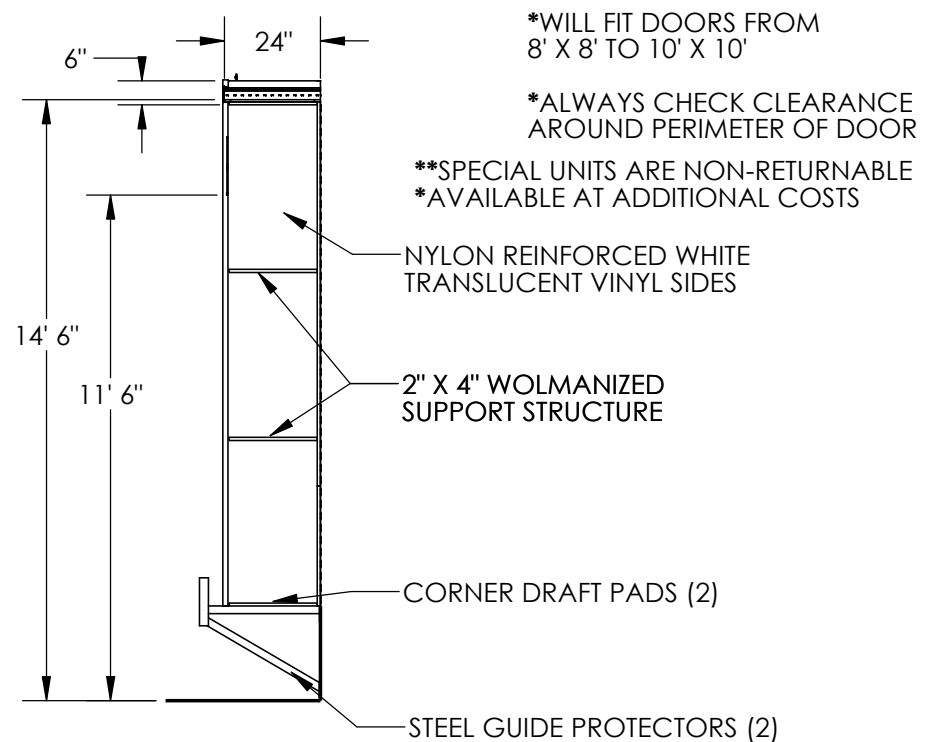
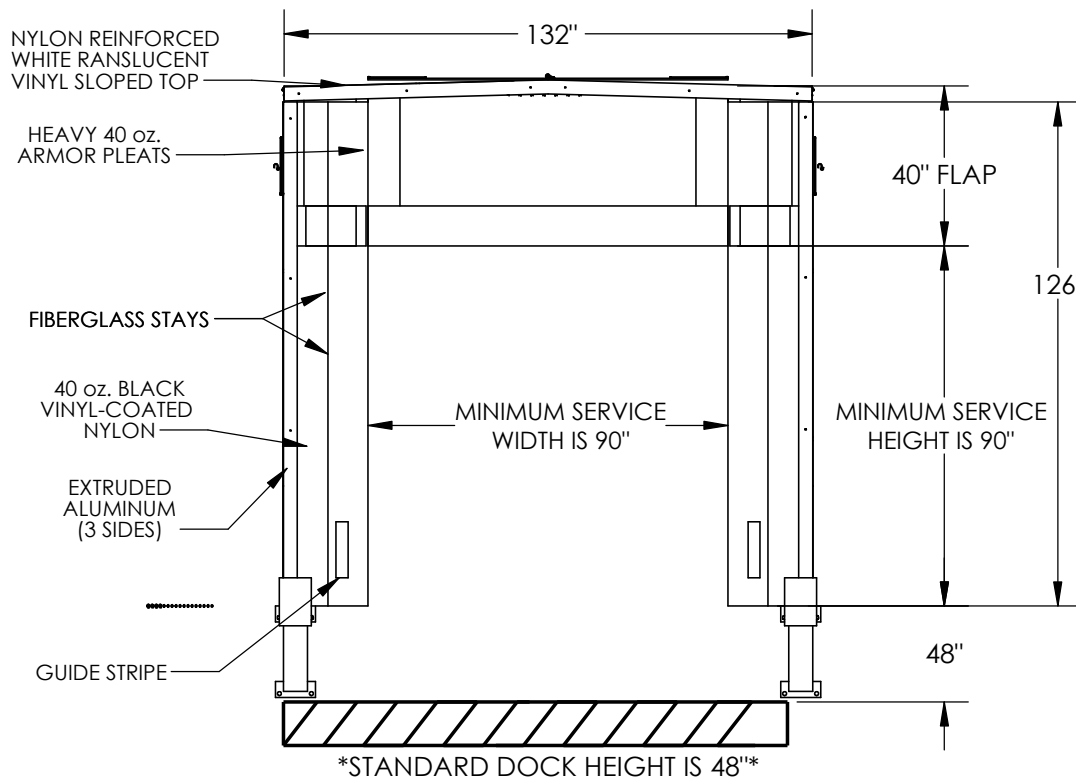


DOCK SHELTER - D-750-24

APPROX WEIGHT: 309.47 lbs.
DOES NOT INCLUDE WEIGHT OF POWER OR PACKAGING!!!

*** ANY ADDITIONS, DELETIONS, OR OMISSIONS MUST BE CORRECTED ON THIS DRAWING AS THIS DRAWING WILL BE CONSIDERED ALL INCLUSIVE ***

ALL GRAPHICS PROVIDED ARE FOR REFERENCE ONLY. IF CERTAIN DIMENSIONS ARE CRITICAL PLEASE VERIFY THOSE DIMENSIONS WITH YOUR SALESPERSON



*WILL FIT DOORS FROM 8' X 8' TO 10' X 10'

*ALWAYS CHECK CLEARANCE AROUND PERIMETER OF DOOR

**SPECIAL UNITS ARE NON-RETURNABLE
*AVAILABLE AT ADDITIONAL COSTS

STANDARD FEATURES

- MODEL NUMBER IS D-750-24
- DOCK SHELTER PROJECTION 24 INCHES
- DOOR OPENING IS (<=10) FEET WIDE x (<=10) FEET HIGH
- FLAPS ARE MADE OF 40 oz. BLACK VINYL-COATED NYLON WITH 40 oz. PLEATS
- 2 x 4 WOLMANIZED LUMBER SUPPORTING STRUCTURE
- EXTRUDED ALUMINUM PROTECTIVE EDGE AROUND ENTIRE PERIMETER OF SHELTER
- 2 BOTTOM CORNER FILLERS AND/STEEL PROTECTORS ARE INCLUDED
- WARNING! MUST HAVE 6" CLEARANCE ON LEFT AND RIGHT SIDES OF 10' DOOR
- MUST HAVE 8" CLEARANCE ON TOP OF 10' DOOR

DIMENSION TOLERANCE ± 1/4"

APPROVAL	I, THE UNDERSIGNED, AGREE THAT THE PRODUCT AS REPRESENTED SATISFIES DESIGN AND DIMENSION REQUIREMENTS. I ALSO ACKNOWLEDGE MY DUTY TO CONFIRM PRODUCT AND INSTALLATION COMPLIANCE WITH ALL APPLICABLE FEDERAL, STATE AND LOCAL REGULATIONS AND STANDARDS.	
	ANY MODIFIED UNITS ARE NON-RETURNABLE	
	[] As drawn [] As marked	
	Signed: _____	Date: _____
Printed Name: _____		
LEAD TIME WILL START UPON RECEIPT OF SIGNED APPROVAL DRAWING		

SPECIAL FEATURES

NONE

FOR INTERNAL USE ONLY PROJECT SIGN OFF	
SALES	
ENG.	
FAB.	
POWER	

DISTRIBUTOR'S NAME:		P.O.#
VESTIL MANUFACTURING		X
DRAWN BY: BCN		DATE: 4/1/2016
REFERENCE: X		SCALE: 1:48
QUOTED LEAD TIME: X		QUOTE # X
		FILE NAME: 35-007-033

*ALL DOCK SHELTERS MUST BE MOUNTED AT DOCK HEIGHT
*ALL DOCK SHELTER ARE SPECIAL AND NON-RETURNABLE