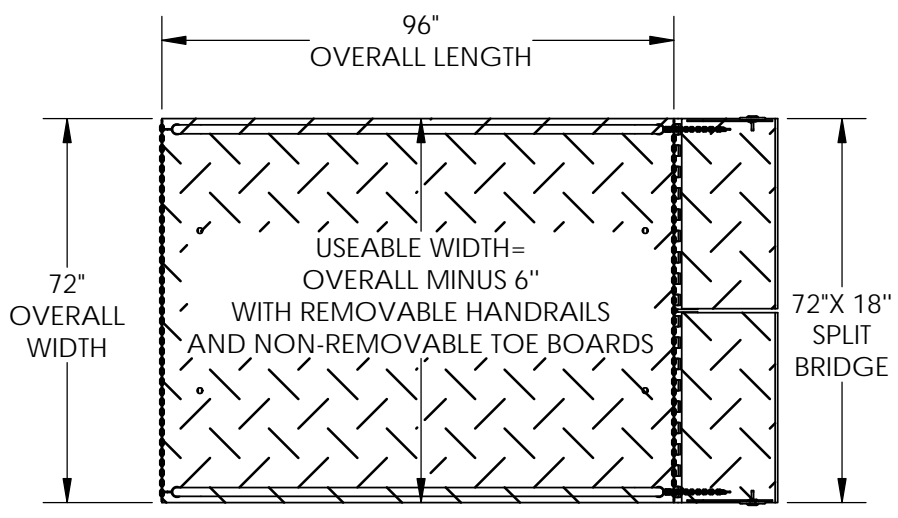


PREMIUM TRUCK SCISSOR DOCK LIFT - WL-100-5-68 APPROX WEIGHT: 2928.63 lbs. DOES NOT INCLUDE WEIGHT OF POWER OR PACKAGING!!!

ANY ADDITIONS, DELETIONS, OR OMISSIONS MUST BE CORRECTED ON THIS DRAWING AS THIS DRAWING WILL BE CONSIDERED ALL INCLUSIVE

STANDARD FEATURES

MODEL NUMBER: WL-100-5-68
 UNIT TO BE MOUNTED: AT SURFACE OR IN PIT (CIRCLE ONE)
 CAPACITY (EVENLY DISTRIBUTED): **5,000 LBS**
 OVERALL PLATFORM SIZE: (72" X 96")
 RAISED HEIGHT 68" ± 2"
 LOWERED HEIGHT: 8"
 REMOVABLE HANDRAILS AND 4"NON-REMOVABLE TOE BOARDS 45" HT W/ 21" MID-RAIL
 TRUCK BRIDGE IS 72" W X 18" L AT ROLLER END W/ CHAINS & HANDLES
 FRAME SIZE IS: 62" W X 93" L
 SHIPPING WT APPROX: 3200 LBS ±
 6 1/2 HP POWER UNIT (SEE BOTTOM OF PAGE)
 W/ 8' OF HYDRAULIC HOSE
 -HAND-HELD CONTROL ON A 4'-20' COIL CORD
 REFER TO THE UNIT'S ELECTRICAL DIAGRAM FOR ELECTRICAL SERVICE REQUIREMENTS
 -INSTALL TO MEET ALL APPLICABLE STATE & LOCAL CODES FOR YOUR AREA!
 5" BEVELED TOE GUARD
 ARCHITECTURAL REVIEW FOR CORRECTNESS OF PIT AND FOR COMPLIANCE TO LOCAL AND STATE CODES IS RECOMMENDED.

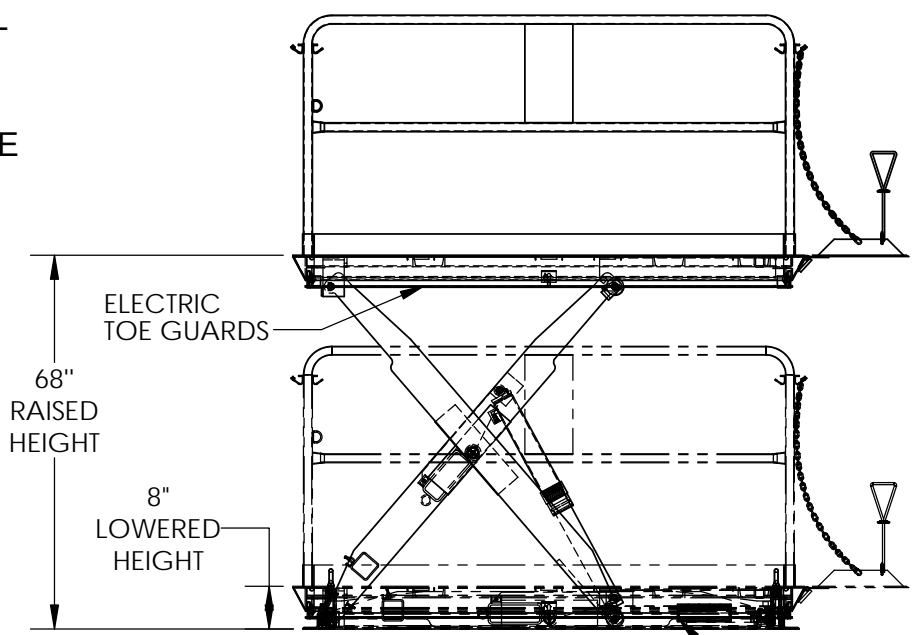


** STANDARD UNIT NOT INTENDED FOR SIDE CROSS LOAD **

DIMENSION TOLERANCE ± 1/4"

SPECIAL FEATURES

NONE



ALL GRAPHICS PROVIDED ARE FOR REFERENCE ONLY. IF CERTAIN DIMENSIONS ARE CRITICAL PLEASE VERIFY THOSE DIMENSIONS WITH YOUR SALESPERSON

FOR INTERNAL USE ONLY PROJECT SIGN OFF	
SALES	
ENG.	
FAB.	
POWER	

HYDRAULIC UNIT
 OVERALL DIMENSIONS
 14"W x 33"L x 31"H
 (COMES W/ 8FT HOSE)

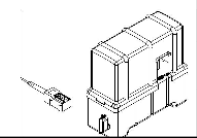
APPROVAL

I, THE UNDERSIGNED, AGREE THAT THE PRODUCT AS REPRESENTED SATISFIES DESIGN AND DIMENSION REQUIREMENTS. I ALSO ACKNOWLEDGE MY DUTY TO CONFIRM PRODUCT AND INSTALLATION COMPLIANCE WITH ALL APPLICABLE FEDERAL, STATE AND LOCAL REGULATIONS AND STANDARDS.
ANY MODIFIED UNITS ARE NON-RETURNABLE
 As drawn As marked

Signed: _____ Date: _____

Printed Name: _____
 LEAD TIME WILL START UPON RECEIPT OF SIGNED APPROVAL DRAWING

PLEASE CIRCLE SPECIFICATIONS:		
MOTOR VOLTAGE	<input type="checkbox"/> 208	<input type="checkbox"/> 230
	<input type="checkbox"/> 460	
DEDICATED CIRCUIT REQUIRED		
MOTOR PHASE	<input type="checkbox"/> SINGLE	<input type="checkbox"/> THREE



DISTRIBUTOR'S NAME:		P.O.#
VESTIL MANUFACTURING		X
DRAWN BY: DLS		W.O.#
DATE: 5/1/2016		X
REFERENCE: X	SCALE: 1:36	SALES: X
QUOTED LEAD TIME: X	QUOTE #	FILE NAME:
	X	05-007-301