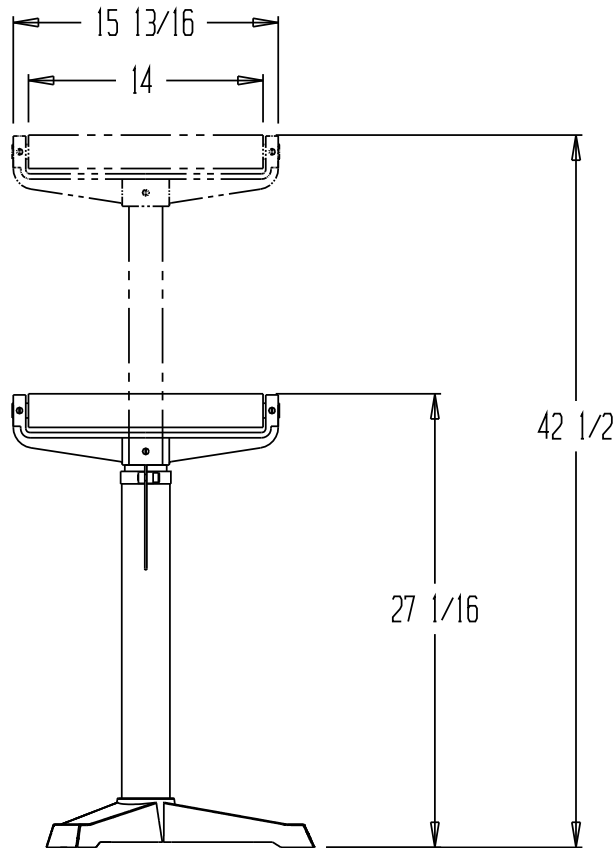
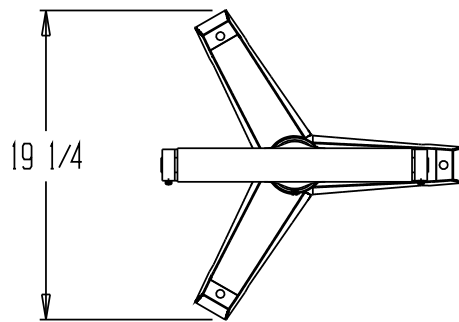


DELUXE ROLLER STAND, STAND-H-HP



STANDARD FEATURES

MODEL NUMBER: STAND-H-HP
 CAPACITY: 1760 LBS
 LOWERED HEIGHT(MIN): 27 1/16"
 RAISED HEIGHT(MAX): 42 1/2"
 14" HORIZONTAL ROLLER
 HEAVY-DUTY CAST-ST'L BASE
 ADJUSTABLE HEIGHT
 ROLLER IS 2" DIA & CHROME PLATED

SPECIAL FEATURES

NONE

LEAD TIME WILL START UPON
RECEIPT OF SIGNED APPROVAL
DRAWING

Any additions, deletions or omissions must be corrected on this drawing, as this drawing will be considered all inclusive.

**SPECIAL UNITS ARE NON-RETURNABLE
 *AVAILABLE AT ADDITIONAL COSTS

*** ALL GRAPHICS PROVIDED ARE FOR REFERENCE ONLY.
IF CERTAIN DIMENSIONS ARE CRITICAL PLEASE VERIFY
THOSE DIMENSIONS WITH YOUR SALESPERSON. ***

APPROVAL

I, the undersigned, hereby approve this print
 As drawn As marked

This includes my approval of design & dimensions.

Signed: _____

Date: _____

| | | |
|-----------------------------|------------------|------------|
| DISTRIBUTOR'S NAME: | | P.O.#: - |
| VESTIL MANUFACTURING | | W.O.#: - |
| DRAWN BY: QW | DATE: 7-31-06 | SALES: - |
| REFERENCE: | DRWG./FILE NAME: | |
| - | SCALE: 1:12 | STAND-H-HP |