



Vestil Manufacturing Corp.
 2999 North Wayne Street, P.O. Box 507, Angola, IN 46703
 Telephone: (260) 665-7586 -or- Toll Free (800) 348-0868
 Fax: (260) 665-1339
 Website: www.vestilmfg.com e-mail: info@vestil.com

Lifter-2 Worksite Lift Instruction Manual



Receiving Instructions

After delivery, remove the packaging from the product. Inspect the product closely to determine whether it sustained damage during transport. If damage is discovered, record a complete description of it on the bill of lading. If the product is undamaged, discard the packaging.

Replacement Parts and Technical Service

For answers to questions not addressed in these instructions and to order replacement parts, labels, and accessories, call our Technical Service and Parts Department at (260) 665-7586. The department can also be contacted online at http://www.vestilmfg.com/parts_info.htm.

NOTE: The end-user is solely responsible for confirming that product design, use, and maintenance comply with laws, regulations, codes, and mandatory standards applied where the product is used.

Table of Contents

Signal Words.....	2
Hazards.....	2
Assembly Instructions.....	3
Lifter Configurations.....	3
Using the Lifter.....	4
Record of Satisfactory Condition.....	4
Inspections & Maintenance.....	4 - 5
Exploded View and Bill of Materials.....	5
Specifications.....	6
Labeling Diagram.....	6
Limited Warranty.....	7

SIGNAL WORDS

This manual uses SIGNAL WORDS to direct the reader's attention to statements about uses of the product that could result in personal injury or property damage. Each signal word correlates with a specific level of seriousness.



Identifies a hazardous situation which, if not avoided, **WILL** result in DEATH or SERIOUS INJURY. Use of this signal word is limited to the most extreme situations.



Identifies a hazardous situation which, if not avoided, **COULD** result in DEATH or SERIOUS INJURY.



Indicates a hazardous situation which, if not avoided, **COULD** result in MINOR or MODERATE injury.



Identifies practices likely to result in product/property damage, such as operation that might damage the product.

HAZARDS

Vestil strives to identify all hazards associated with the use of this product. However, material handling is dangerous and no manual can address every conceivable risk. The most effective means for preventing injury is for the end-user to exercise good judgment whenever using this device.



If this product is used improperly or carelessly, the operator and/or bystanders might sustain serious personal injuries or even be killed. To reduce the likelihood of injury:

- **Read this manual in its entirety. Failure to read and understand the entire manual before assembling, installing, using or servicing the product is a misuse of the product.**
- Read the manual to refresh your understanding of proper use and maintenance procedures.
- DO NOT attempt to resolve any problem(s) with the product unless you are both authorized to do so and certain that it will be safe to use afterwards.
- DO NOT modify the product in any way UNLESS you first obtain written approval from Vestil. Unauthorized modifications automatically void the [Limited Warranty](#) and might make the product unsafe to use.
- DO NOT exceed the maximum rated load (see Label 287 on product).
- Inspect the product in accordance with the instructions in [Inspections and Maintenance](#) on p. 4.
- BEFORE operating, inspect mast, carriage, forks/deck, cable/chain, wheels, and brakes for damage. DO NOT use if damaged.
- ALWAYS walk travel path before using truck to identify hazards:
- DO NOT contact electrical lines or overhead objects with device or load;
- DO NOT travel up/down inclines if an alternate route is available;
- DO NOT travel over debris.
- ONLY travel with forks/deck in lowest position appropriate for conditions.
- ALWAYS center and evenly distribute loads on forks/deck.
- ALWAYS secure load to forks/deck.
- ONLY drive or operate truck functions from operator position.
- DO NOT exceed maximum rated load (capacity).
- DO NOT allow people to ride on device.
- DO NOT lift loads over people; DO NOT permit people to walk beneath the forks/deck when raised (loaded or unloaded).
- DO NOT leave unattended UNTIL fully lowered AND unloaded.
- DO NOT modify device in any way.

ASSEMBLY INSTRUCTIONS

The Lifter-2 ships in fully assembled form. However, the lifter can easily be disassembled. Refer to the [exploded view and bill of materials](#) on p. 3, and then:

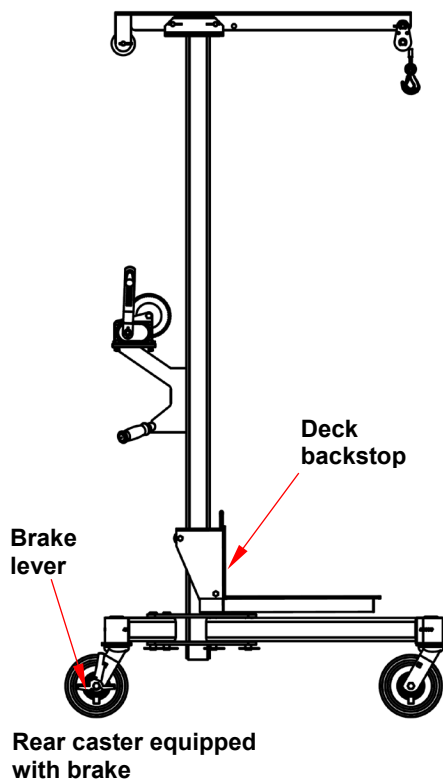
1. Disconnect the hook (on the winch cable) from the deck (5);
2. Remove the upright (2) from the base (1). Loosen the 4-handle bolt (18) and then lift the upright out of the opening in the base.
3. Unfasten the jib (26) from the upright (2). The jib fastens to the upright by means of two clevis pins (10). Pull the cotter pins (12) out of the clevis pins; then remove the clevis pins and separate the jib and the upright.
[NOTE: Reinstall the clevis pins in the bracket at the top of the upright and reinstall the clevis pins to prevent the pins from being lost.]
4. Unpin the legs. Remove the (four) outer clevis pins that fasten the legs (3 & 4) to the base. Each pin is secured in place with a hitch pin underneath the base. Each leg should still be fastened to the base.
5. Store the disassembled lifter in a location where it will remain dry.

LIFTER CONFIGURATIONS

The lifter can be configured in 2 ways:

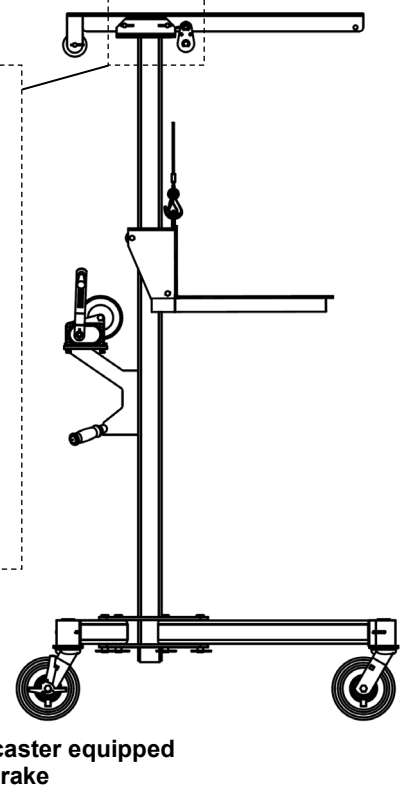
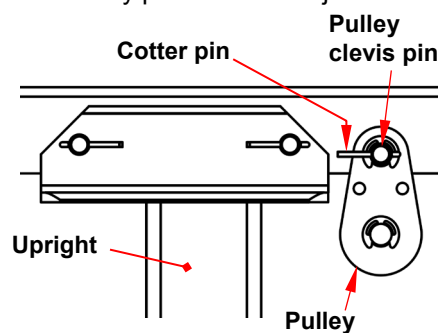
1. As a jib crane with a stationary deck. In this configuration, the deck is not connected to the winch cable. It rests at the bottom of the upright.
2. As a manually-propelled high lift truck. The hook at the end of the winch cable is connected to an eyelet on top of the deck. The winch controls movement up and down the upright.

Configuration #1: Pulley pinned to end of jib with deck resting on base



Configuration #2: Pulley pinned to jib above deck cable hook attached to deck lifting eye.

To change the location of the pulley, pull the cotter pin out of the pulley clevis pin and remove the pulley clevis pin; then pin the pulley in the necessary position on the jib.



USING THE LIFTER

The way the lifter is loaded depends on its configuration. The configurations (1 and 2) described below refer to the same configurations shown in [Lifter Configurations](#) on p. 3. The net load applied to the lifter must never exceed 500 pounds (227.3kg).

- 1) Apply the brakes: The rear casters are equipped with brakes that should be applied whenever the lifter is stationary. Always apply the brakes of the locking casters before applying a load. Press down on the brake levers to apply the brakes. Lift the levers to release the brakes.
- 2) Apply the load:
 - Configuration 1:** Attach appropriate rigging to the load and attach the rigging to the cable hook. Turn the winch handle to raise the load. Lower the load while directing it towards the deck. Laterally center the load on the deck and press it against the load backstop. Make sure that there is some slack in the cable. The load should be stable, and centered on the deck.
 - Configuration 2:** Lower the deck. Pick up the load and set it on the deck. Laterally center the load on the deck and press it against the deck backstop. Transport the load with the deck lowered.
- 3) Transport the load by pushing the lifter. Only use the lifter on an even, level floor. Do not traverse sloped ground, especially when the lifter is loaded.
- 4) Apply both caster brakes. Unload the lifter by reversing step 2.

RECORD OF SATISFACTORY CONDITION (THE “RECORD”)

Record the condition of the lifter before putting it into service. Thoroughly photograph the unit from multiple angles. Make sure that the casters, boom, deck, lifting mechanisms (winch, cable, pulleys), and all connections/fasteners are clearly visible. Take close range photographs of the labeling applied to the truck. Raise and lower the deck. Describe the operation of the winch. Describe, in writing, sounds heard as the deck rises and descends. How much effort is required to turn the winch? Collate all photographs and writings into a single file. Give the file a name that clearly identifies it. This file is a record of the unit in satisfactory condition. Compare the findings of all [inspections](#) to this record to determine whether the truck is in satisfactory condition. Purely cosmetic changes, like damaged paint/powder coat are not changes from satisfactory condition. However, touch-up paint to be applied to all affected areas as soon as damage occurs.

INSPECTIONS AND MAINTENANCE

Regular inspections and maintenance are necessary to keep the device in normal condition. Compare the results of each inspection to the [Record](#) to determine whether the unit is satisfactory condition or requires repairs or replacement parts. If you are uncertain whether a part requires repair or replacement, contact [Technical Service](#) for assistance.

- Periodically lubricate moving parts.
- Keep the product clean and dry.
- Only use manufacturer- approved replacement parts.

ANSI/ITSDF standard B56.10-2019, “Manually propelled high lift industrial trucks” includes inspection and maintenance procedures. A copy of the standard is downloadable [for free](#) from the ITSDF website at www.itsdf.org. We strongly recommend that you acquire a copy of the standard and apply all inspection and maintenance recommendations in it as well as the following steps.

Before using the lifter for the first time and at least once every 2 weeks, inspect the following components:

1. Cable: look for areas that are fraying or severely damaged. For example, look for regions where the cable diameter is markedly reduced.
2. Boom, mast, base frame, deck: look for damaged welds, severe rusting, cracks, warps, etc.
3. Winch and pulleys: cycle the deck up and down. Watch the deck to make sure that it moves smoothly. Listen for unusual noises and watch for binding or rough movement as the deck moves.
4. Casters: check each caster for excessive wear.
5. Hardware: examine the pins, bolts, nuts, etc. Tighten loose fasteners.
6. Hook: check the hook and the safety latch. Confirm that the throat opening is not widening. The hook should not be cracked, twisted or distorted.

Maintenance: Perform necessary maintenance after conducting an inspection to ensure that the lifter functions properly for as long as possible. Repair or replace all components that are not in satisfactory condition.

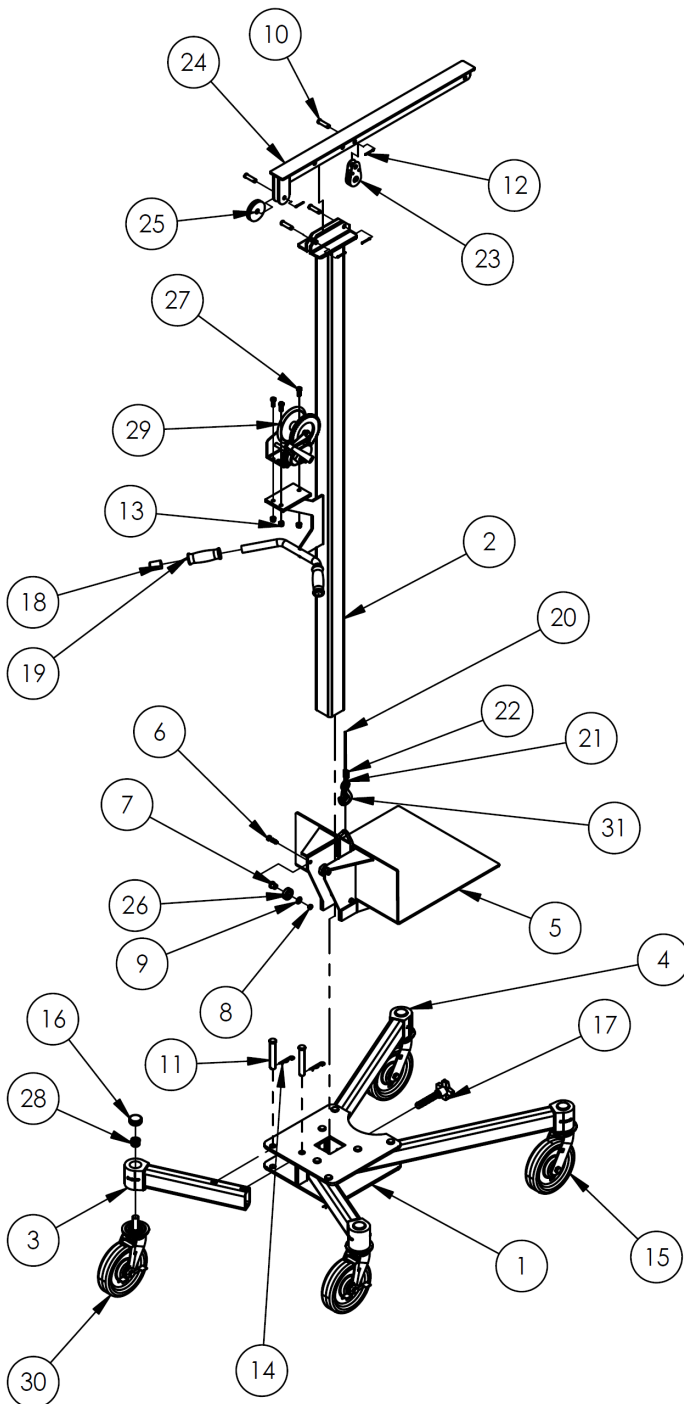
Step 1: Tag the lifter, “Out of Service.”

Step 2: Repair or replace all components found to no longer be in satisfactory condition during the most recent inspection. For instance, if the deck does not move smoothly or makes noise as it moves up or down the upright, apply a silicon wax or silicon spray to the inside of the mast frame.

Step 3: Remove dirt or other matter from the cable and pulleys and other lifter surfaces.

Step 4: Make a dated record of the repairs, adjustments, and replacements.

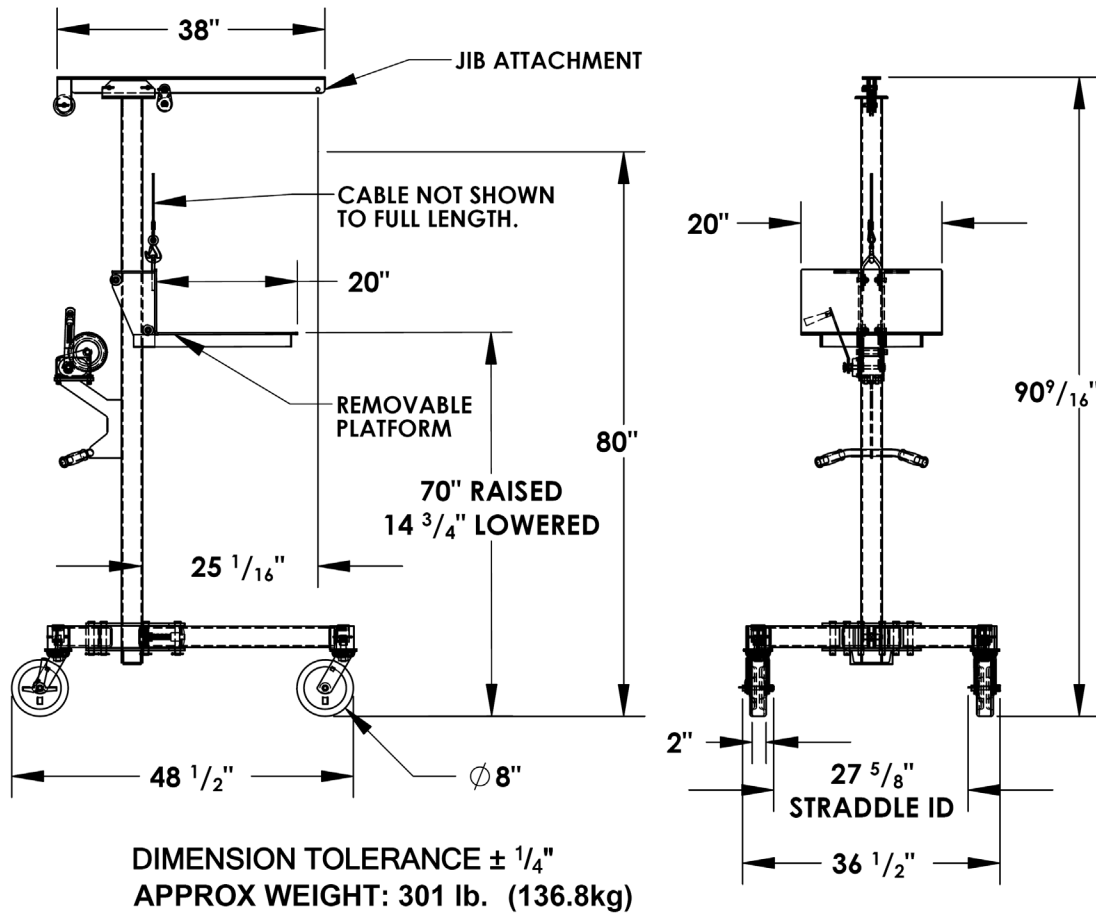
EXPLODED VIEW AND BILL OF MATERIALS



Item	Part no.	Description	Qty.
1	42-514-022	Weldment, base	1
2	42-514-023	Weldment, upright	1
3	42-514-025	Weldment, frame leg, back	2
4	42-514-024	Weldment, frame leg, front	2
5	42-513-009	Weldment, deck	1
6	11108	$\frac{3}{8}$ " - 16 x $1\frac{3}{8}$ " zinc-plated hex cap screw	4
7	21-113-021	Spacer, bearing shaft	4
8	37026	$\frac{3}{8}$ " - 16 zinc-plated jam lock nut	4
9	68083	Steel e-clip for $\frac{5}{8}$ " shaft	4
10	21-112-003	$\frac{1}{2}$ " x $1\frac{15}{16}$ " retaining clevis pin	4
11	28-112-031	$\frac{3}{4}$ " x $4\frac{1}{2}$ " clevis pin	8
12	65078	$\frac{1}{8}$ " x $1\frac{1}{2}$ " zinc-plated cotter pin	4
13	37024	$\frac{3}{8}$ " nylock insert nut	3
14	45283	#7 hitch pin clip	8
15	16-132-181	PH-8/2-RB-S-SB stem caster	2
16	99-024-003	Guard, cover, endcap. plug	4
17	08-025-008	4" 4-handle bolt	1
18	21-024-038	Handle grip, rubber end cap	2
19	15-025-006	Grip, handle	2
20	42-145-004	$\frac{3}{16}$ " aircraft cable, 180" long	1
21	21-145-013	Thimbles, LLW	1
22	99-145-067	Compression sleeve, $\frac{3}{16}$ " x 1"	1
23	28-027-004	Pulley, tear drop	1
24	42-516-004	Weldment, jib attachment, bracket	1
25	99-027-003	Assembly, pulley with bronze bushing	1
26	20-110-006	Roller bearing	4
27	11105	Hex bolt, grade A, zinc-plated, $\frac{3}{8}$ " - 16 x 1"	3
28	37039	$\frac{3}{4}$ " - 10 zinc-plated lock nut	4
29	21-042-002-001	Hand winch, foldable handle grip	1
30	16-132-204	PH-F-8/2-S-SWB-ST stem caster	2
31	08-145-045	Clasp hook, $\frac{3}{4}$ " hook opening	1

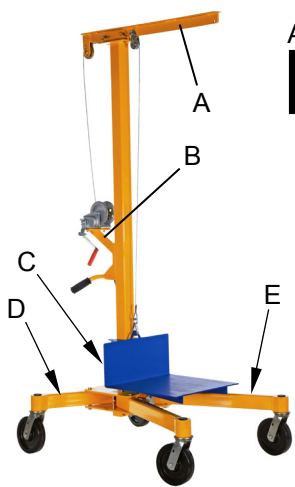
SPECIFICATIONS

Dimensions, net weight, and capacity information are provided in the following diagrams.



LABELING DIAGRAM

The unit should be labeled as shown in the diagram. However, label content and location are subject to change so your product might not be labeled exactly as shown. Thoroughly photograph the unit when you first receive it as discussed in the *Record of Satisfactory Condition* section of this manual. Make sure that your Record includes a photograph of each label. Modify this diagram, if necessary, to indicate labeling actually applied. Replace all labels that are, damaged, missing, or not easily readable (e.g. faded). Contact the *Parts Department* online at http://www.vestilmfg.com/parts_info.htm to order replacement labels. You may also call (260) 665-7586 and ask the operator to connect you to the *Parts Department*.



A: Label 598 (on boom)

500 / 226	
POUNDS	KILOGRAMS

B: Label 287 (by winch mounting bracket)

MODEL/MODELO/MODÈLE	
STATIC CAPACITY (evenly distributed)	lbs.
LA CAPACIDAD CONSTANTE (distribuida uniformemente)	kgs.
CAPACITÉ STATIQUE (distribuée régulièrement)	kgs.
SERIAL/SERIE/SÉRIE	
287 REV 0812	

C: Label 527 (on back of deck backstop)

⚠ WARNING	
<p>Only trained, authorized persons should operate this device. Improper operation might result in serious personal injuries sustained by the truck operator and/or bystanders. Operators must observe the following safety-enhancing practices:</p> <ul style="list-style-type: none"> • BEFORE operating, inspect mast, carriage, forks/deck, cable/chain, wheels, and brakes for damage. DO NOT use if damaged. • ALWAYS walk travel path before using truck to identify hazards: 1 DO NOT contact electrical lines or overhead objects with device or load; 2 DO NOT travel up/down inclines if an alternate route is available; 3 DO NOT travel over debris. • ONLY travel with forkliftdeck in lowest position appropriate for conditions. • ALWAYS center and evenly distribute loads on forkliftdeck. • ALWAYS secure load to forkliftdeck. • ONLY drive or operate truck functions from operator position. • DO NOT exceed maximum rated load (capacity). • DO NOT allow people to ride on device. • DO NOT sit loads over people. DO NOT permit people to walk beneath the forkliftdeck when raised (loaded or unloaded). • DO NOT leave unattended UNLESS fully lowered AND unloaded. • DO NOT modify device in any way. 	
⚠ ADVERTENCIA	
<p>Solo personas entrenadas y autorizadas deben operar este equipo. La operación inadecuada podría resultar en daños serios al operario del camión y/o a los transeúntes. Los operadores deben observar y seguir las siguientes prácticas de seguridad:</p> <ul style="list-style-type: none"> • ANTES de usar, inspeccione el mástil, el equipo, las horquillas/plataforma, cable/cadena, ruedas y frenos por daños. NO use si se observan daños. • SIEMPRE camine el trayecto de viaje antes de usar el camión para identificar riesgos: 1 NO toque las líneas eléctricas u objetos altos con el dispositivo o la carga. 2 NO viaje en inclinaciones de subida y bajada si hay otra ruta alternativa. 3 NO viaje sobre desechos. • SOLO viaje con las horquillas/plataforma en la posición de descenso más apropiada para las condiciones. • SIEMPRE centre y distribuya las cargas uniformemente en las horquillas/plataforma • SIEMPRE asegure la carga a las horquillas/plataforma. • SOLO conduzca u opere las funciones del camión desde la posición del operario. • NO exceda la capacidad máxima basada de carga. • NO permita que la gente viaje en el equipo. • NO deje las cargas sobre la gente. NO permita que la gente camine debajo de las horquillas/plataforma cuando este elevada (con carga o sin carga). • NO deje el equipo desatendido NUNCA que este completamente cargado y descargado. • NO modifique el equipo de ninguna manera. 	

D: Label 212 (on rear leg)

⚠ WARNING	⚠ ADVERTENCIA	⚠ AVERTISSEMENT
<p>LOCK CASTER when loading and unloading</p>	<p>PONGA EL FRENO el la rueda cuando se cargue y descargue</p>	<p>VERROUILLER LA ROULETTE en chargeant et dechargeant</p>
Vestil Manufacturing Corporation • Angola, Indiana USA • Phone (260) 665-7586 • www.vestil.com 212 Rev 0908		

E: Label 208 (on fore leg)

⚠ WARNING	⚠ ADVERTENCIA	⚠ AVERTISSEMENT
<p>KEEP CLEAR OF PINCH POINT</p>	<p>MANTENGASE ALEJADO DEL PUNTO DE CORTE</p>	<p>SE TENIR À DISTANCE DU POINT DE PINCEMENT</p>
208A		

LIMITED WARRANTY

Vestil Manufacturing Corporation (“Vestil”) warrants this product to be free of defects in material and workmanship during the warranty period. Our warranty obligation is to provide a replacement for a defective, original part covered by the warranty after we receive a proper request from the Warrantee (you) for warranty service.

Who may request service?

Only a warrantee may request service. You are a warrantee if you purchased the product from Vestil or from an authorized distributor AND Vestil has been fully paid.

Definition of “original part”?

An original part is a part used to make the product as shipped to the Warrantee.

What is a “proper request”?

A request for warranty service is proper if Vestil receives: 1) a photocopy of the Customer Invoice that displays the shipping date; AND 2) a written request for warranty service including your name and phone number. Send requests by one of the following methods:

<u>US Mail</u>	<u>Fax</u>	<u>Email</u>
Vestil Manufacturing Corporation 2999 North Wayne Street, PO Box 507 Angola, IN 46703	(260) 665-1339 <u>Phone</u> (260) 665-7586	info@vestil.com Enter “Warranty service request” in subject field.

In the written request, list the parts believed to be defective and include the address where replacements should be delivered. After Vestil receives your request for warranty service, an authorized representative will contact you to determine whether your claim is covered by the warranty. Before providing warranty service, Vestil will require you to send the entire product, or just the defective part (or parts), to its facility in Angola, IN.

What is covered under the warranty?

The warranty covers defects in the following original, dynamic parts: motors, hydraulic pumps, motor controllers, and cylinders. It also covers defects in original parts that wear under normal usage conditions (“wearing parts”), such as bearings, hoses, wheels, seals, brushes, and batteries.

How long is the warranty period?

The warranty period for original dynamic components is 90 days. For wearing parts, the warranty period is 90 days. Both warranty periods begin on the date Vestil ships the product to the Warrantee. If the product was purchased from an authorized distributor, the periods begin when the distributor ships the product. Vestil may, at its sole discretion, extend a warranty period for products shipped from authorized distributors by up to 30 days to account for shipping time.

If a defective part is covered by the warranty, what will Vestil do to correct the problem?

Vestil will provide an appropriate replacement for any *covered* part. An authorized representative of Vestil will contact you to discuss your claim.

What is not covered by the warranty?

The Warrantee (you) is responsible for paying labor costs and freight costs to return the product to Vestil for warranty service.

Events that automatically void this Limited Warranty.

- Misuse;
- Negligent assembly, installation, operation or repair;
- Installation/use in corrosive environments;
- Inadequate or improper maintenance;
- Damage sustained during shipping;
- Collisions or other accidents that damage the product;
- Unauthorized modifications: Do not modify the product IN ANY WAY without first receiving written authorization from Vestil.

Do any other warranties apply to the product?

Vestil Manufacturing Corp. makes no other express warranties. All implied warranties are disclaimed to the extent allowed by law. Any implied warranty not disclaimed is limited in scope to the terms of this Limited Warranty. Vestil makes no warranty or representation that this product complies with any state or local design, performance, or safety code or standard. Noncompliance with any such code or standard is not a defect in material or workmanship.

