



Ventilation Products

Air Circulators – High Velocity Blowers



HV-30 Series

New HV-Series

*ETL Listed US/C
OSHA Approved!!*



HV-24 Series

Yoke Mounted Fans Heads

Totally Enclosed Motor

All Steel Construction!

2-Year Warranty



HV-18 Series



**Offered in 18", 24" or 30"
Diameter Sizes**

**120V, 208/240 & 277V – 1-phase
Or 480V 3-Phase**

Hard Wired – No Cord



Ventilation Products

Air Circulators – High Velocity Blowers

Series	HV-18 Series	HV-24 Series	HV-30 Series
Blade Diameter	16"	22"	28"
Fan Grille Diameter	18"	24"	30"
Yoke Gauge	11	7	7
Wattage	373	373	746
CFM High	3000	5290	9000
Motor Horsepower	1/2	1/2	1
Motor RPM	1725	1725	1700
Air Velocity			
10'	800	1200	1500
20'	400	700	900
30'	200	100	300
Decibel Ratings			
3'	80	87	95
20'	76	80	82
Area Coverage ft ²	280	400	620



HV-24 Series

MOTOR: Single-Speed, Direct Drive, Totally Enclosed Air Over (TEAO), Class B, automatic thermal protection with ball bearings; rated up to 115°F maximum ambient temperature. Single and Three Phase options available in 120, 208/240, 277, & 480-Volt.

BLADE: 3-Paddle aluminum with steel hub and cast aluminum spider connections.

CONSTRUCTION: 20-Gauge steel housing with a GRAY epoxy textured powder coated finish, yoke bracket allows for (5) adjustable settings at 15° variations, front and rear spiral wound grills are OSHA approved and have a black powder coated finish.

Offered in 18", 24" or 30"
Diameter Sizes
120V, 208/240 & 277V – 1-phase
Or 480V 3-Phase



Ventilation Products



Air Circulators – High Velocity Blowers

Applications:

- *Warehouse Areas
- *Manufacturing Facilities
- *Jobsites
- *Workstations
- *Dock Areas
- *Industrial Facilities



HV-24 Series





Ventilation Products



Air Circulators – High Velocity Blowers

Steel Yoke-Mount Bracket

2" square tubing, designed with reinforcement bracket

Steel Adjustable Bracket

15° variation for both up-flow and down-flow air movement

Round Steel Housing

Welded Steel Venturi to a 20-gauge steel frame housing



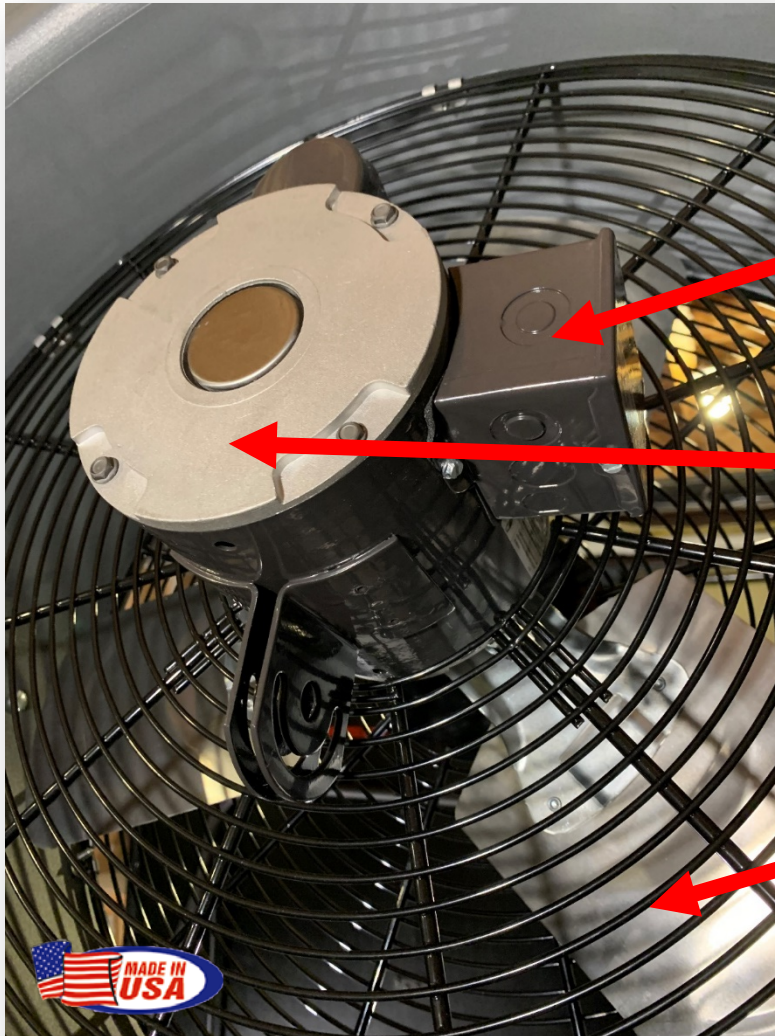
2-Year Warranty
Shipped Fully-Assembled & Ready for Installation



Ventilation Products



Air Circulators – High Velocity Blowers



Hard-Wired Connection
All Non-Corded Units

Totally Enclosed Air Over Motor (TEAO)
Completely sealed bearings; ideal for harsh environments

Spiral Wound Steel Guards
Intake & Discharge Ends
Meets OSHA 1910.212(a)(5) requirements





Ventilation Products

Air Circulators – High Velocity Blowers

HV-24 Series



TPI CORPORATION
AMERICA'S COMFORT CONDITIONING COMPANY



Ventilation Products



High Velocity Optional Mounts



HV-1

24" Dock Arm
Wall/Column Mount for
HV-18 Series ONLY

Wall or Column Mount
Bracket for HV-24 or HV-30 Series

HV-2 (use with Model Series HV-24)
HV-3 (use with Model Series HV-30)



**HV-2 or
HV-3**



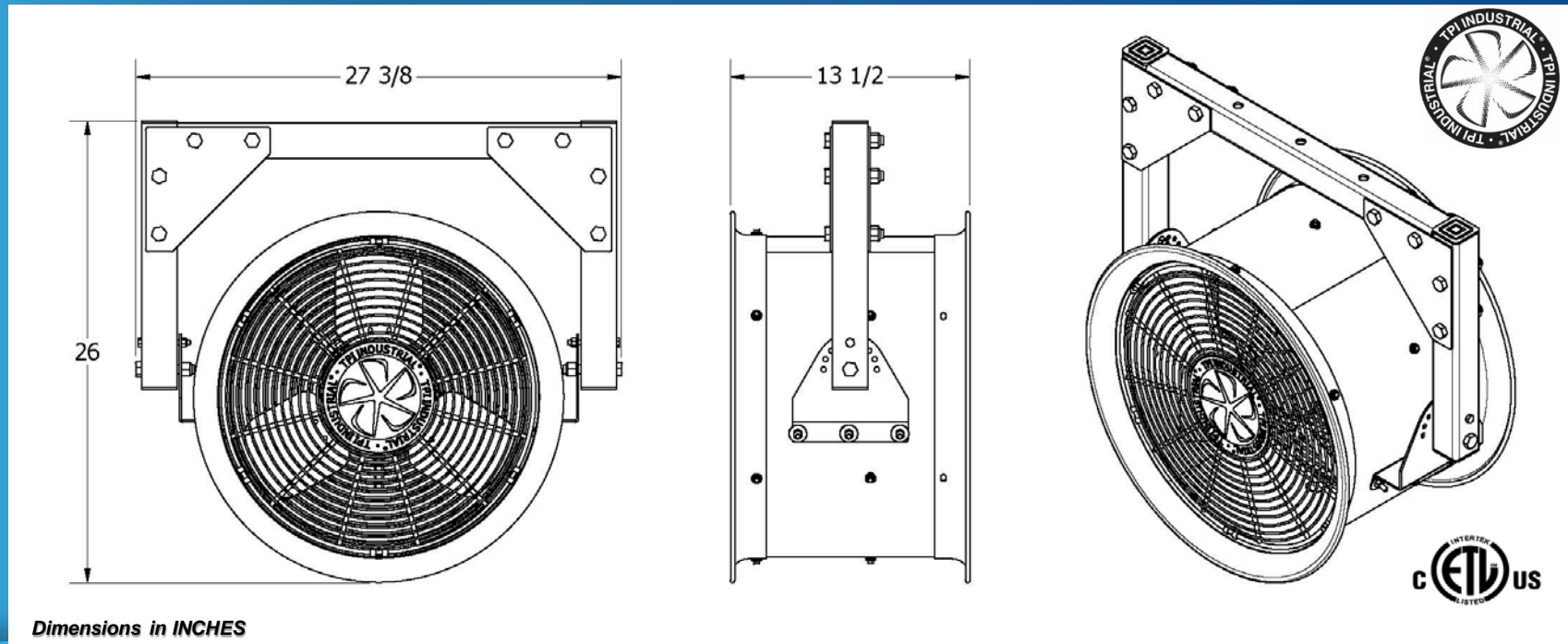


Ventilation Products

Air Circulators – High Velocity Blowers

Dimensional Data:

HV-18 Series



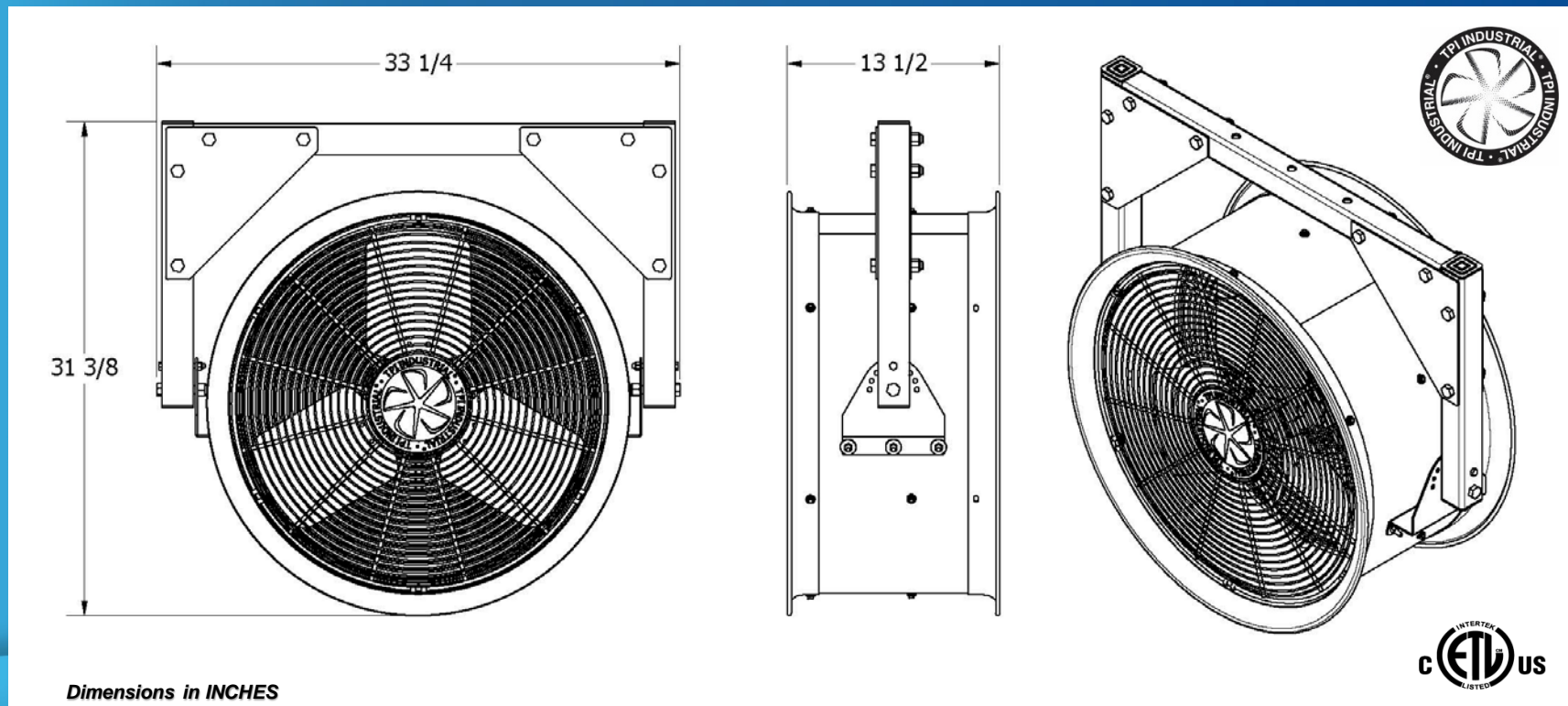


Ventilation Products

Air Circulators – High Velocity Blowers

Dimensional Data:

HV-24 Series



TPI CORPORATION
AMERICA'S COMFORT CONDITIONING COMPANY

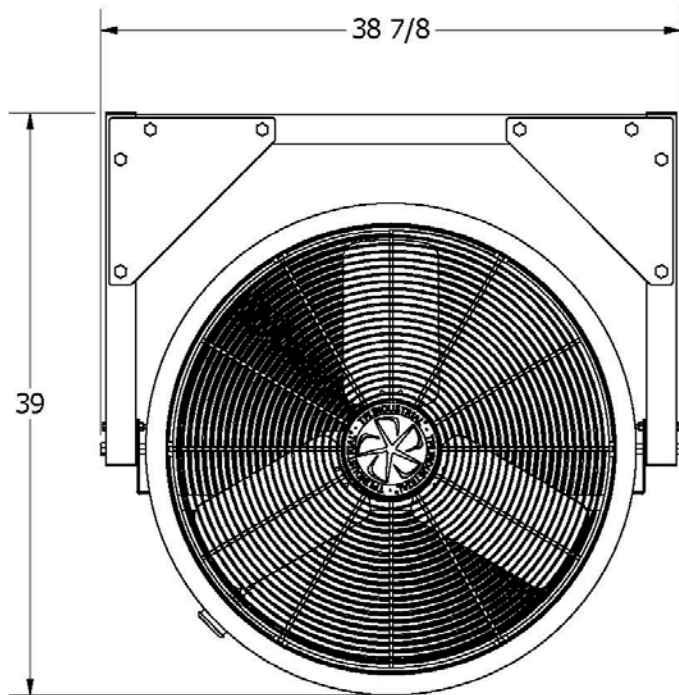


Ventilation Products

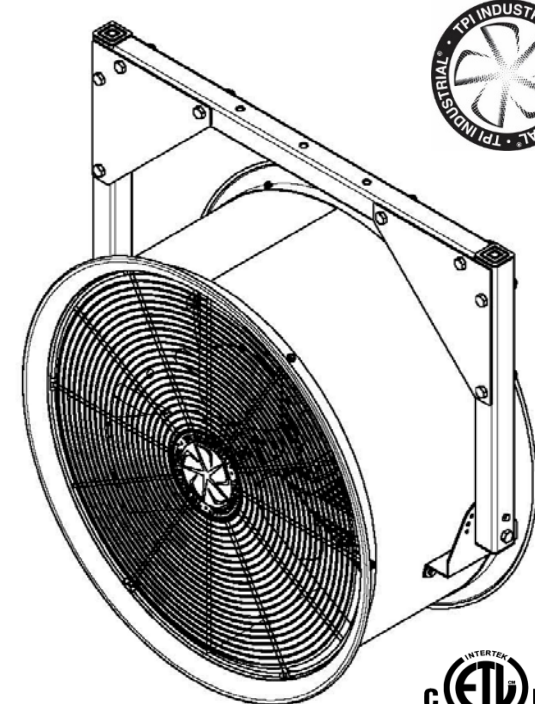
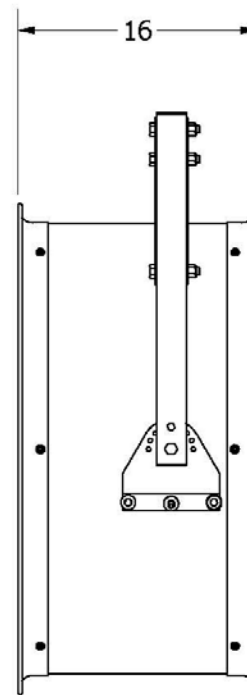
Air Circulators – High Velocity Blowers

Dimensional Data:

HV-30 Series



Dimensions in INCHES



TPI CORPORATION
AMERICA'S COMFORT CONDITIONING COMPANY



Ventilation Products

High Velocity Optional Mounts

Dimensional Data:

