



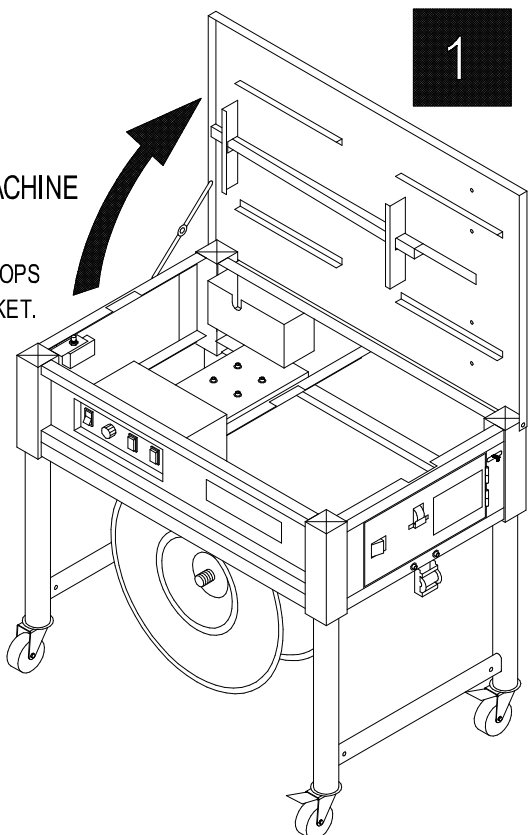
www.globalindustrial.com

1-800-645-1232

SETTING UP MODEL 506848 STRAPPING MACHINE

1

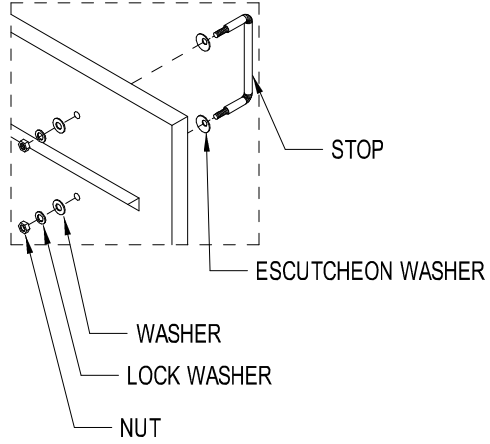
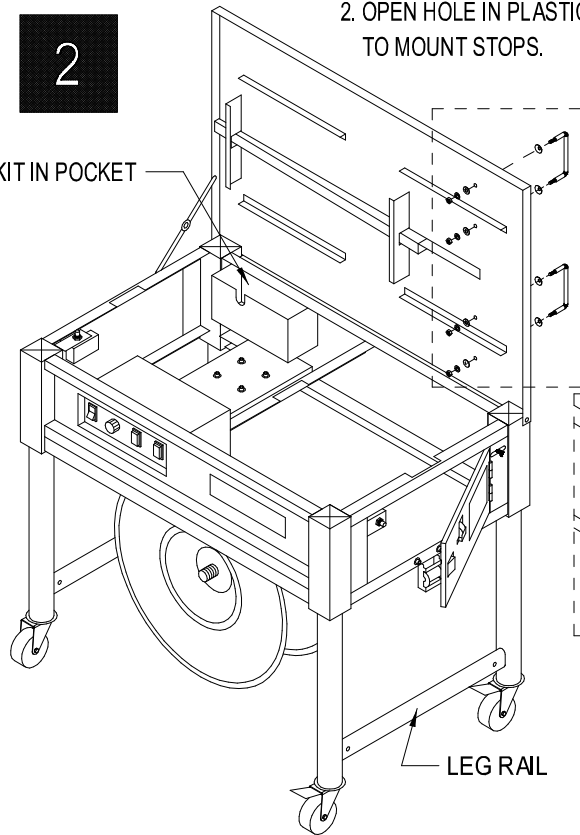
1. OPEN COVER - REMOVE STOPS AND TOOL KIT FROM POCKET.



2

2. OPEN HOLE IN PLASTIC SHEET TO MOUNT STOPS.

TOOL KIT IN POCKET



STOP

ESCUTCHEON WASHER

WASHER

LOCK WASHER

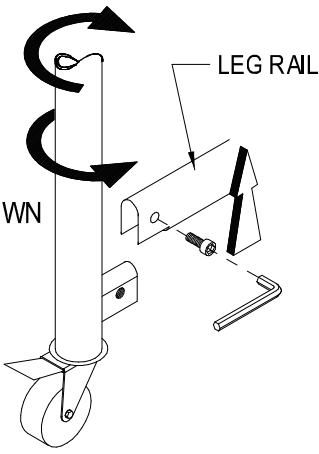
NUT

LEG RAIL

3

UP

DOWN



LEG RAIL

NOTE:

TO ADJUST TABLE HEIGHT, REMOVE LEG RAIL FROM LEGS AND ROTATE LEG TO DESIRED HEIGHT. RE-ATTACH LEG RAIL BEFORE USING OR MOVING MACHINE.

