

ASSEMBLY INSTRUCTIONS

Remove all items from the carton. Verify all pieces before assembly.

PART LIST

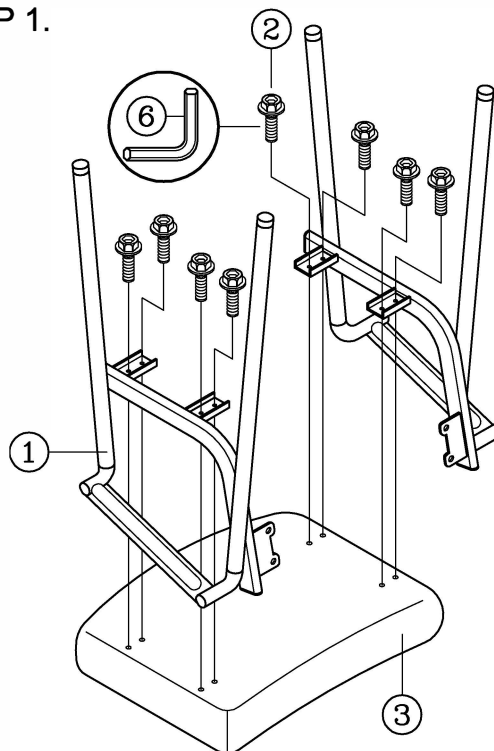
KEY	QTY	DESCRIPTION
1	2	Steel Frame
2	8	Steel Frame Screw (Hex Head 6*20mm)
3	1	Seat
4	1	Backrest
5	4	Backrest Screw (Round Head 6*20mm)
6	1	M5 Size Allen Wrench

PREVENTIVE MAINTENANCE AND WARNING!

- USE THIS PRODUCT ONLY FOR SEATING ONE PERSON AT A TIME.
- DO NOT USE THIS CHAIR AS A STEP STOOL / LADDER.
- DO NOT SIT ON ANY PART OF THE CHAIR EXCEPT THE SEAT.
- DO NOT USE CHAIR ON UNEVEN FLOOR SURFACES.
- DO NOT USE CHAIR UNLESS ALL BOLTS, SCREWS AND KNOBS ARE TIGHT. AT LEAST EVERY SIX MONTHS, CHECK ALL BOLTS, SCREWS AND KNOBS TO BE SURE THEY ARE TIGHT.
- IF ANY PARTS ARE MISSING, BROKEN, DAMAGED OR WORN, STOP USE OF THE PRODUCT UNTIL REPAIRS ARE MADE USING FACTORY AUTHORIZED PARTS.
- DISPOSE OF PACKAGING PROPERLY. PLASTIC BAG IS NOT A TOY. DO NOT USE PLASTIC BAG AS HEAD COVERING - IT MAY CAUSE SUFFOCATION.
- FAILURE TO FOLLOW THESE WARNINGS COULD RESULT IN SERIOUS INJURY.

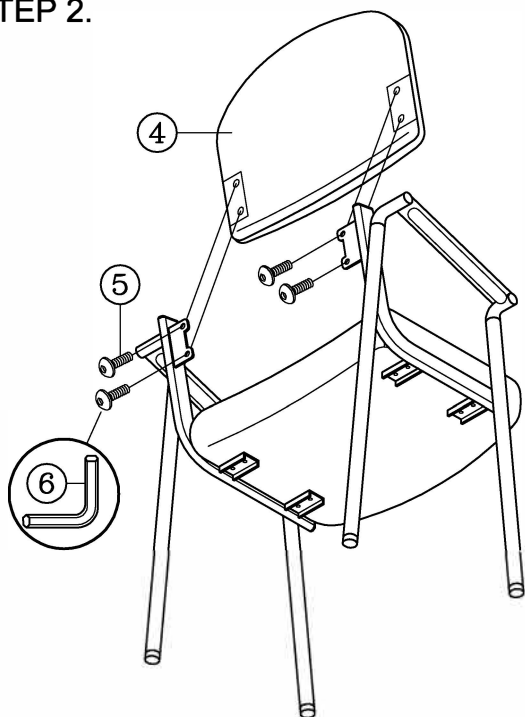
★ Exercise caution when initially sitting on chair. Check all screws to be sure they are securely fastened.

STEP 1.



Align back of (3) seat to holes of (1) steel frames. Attach with (2) steel frame screws, but **do not tighten completely.**

STEP 2.



Align (4) backrest to (1) steel frames as shown. Attach with (5) backrest screws. Adjust (1) steel frames until properly aligned. Securely tighten backrest screws and steel frame screws of (3) seat.

