

ASSEMBLY INSTRUCTIONS

Remove all items from the carton . Verify all pieces before assembly.

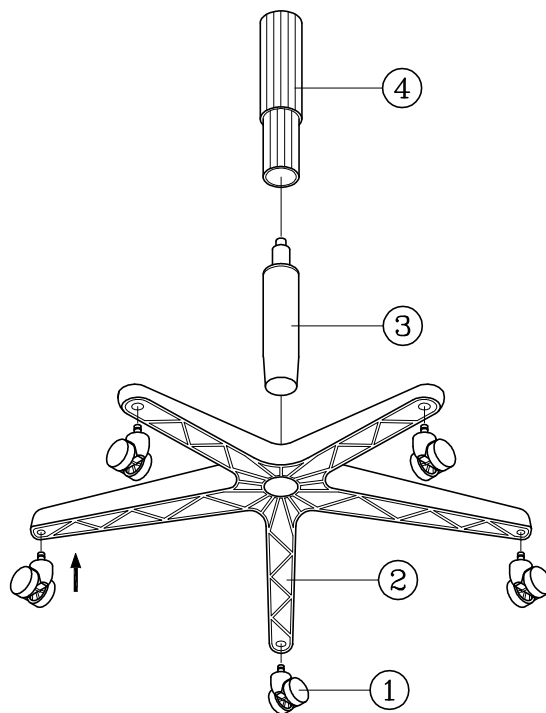
PARTS LIST

| KEY | QTY | DESCRIPTION |
|-----|-----|-----------------------------------|
| 1 | 5 | Caster |
| 2 | 1 | Base |
| 3 | 1 | Seat Post |
| 4 | 1 | Seat Post Cover |
| 5 | 1 | Mechanism |
| 6 | 1 | Seat |
| 7 | 1 | Backrest |
| 8 | 1 | Backrest Post + Cover |
| 9 | 1 | Backrest Height Adj. Knob+ Washer |
| 10 | 1 | Seat Depth Adj. Knob + Washers |
| 11 | 6 | Mechanism Screw |
| 12 | 1 | M5 Size Allen Wrench |

PREVENTIVE MAINTENANCE AND WARNING!

- USE THIS PRODUCT ONLY FOR SEATING ONE PERSON AT A TIME.
- DO NOT USE THIS CHAIR AS A STEP STOOL / LADDER.
- DO NOT SIT ON ANY PART OF THE CHAIR EXCEPT THE SEAT.
- DO NOT USE CHAIR ON UNEVEN FLOOR SURFACES.
- DO NOT USE CHAIR UNLESS ALL BOLTS, SCREWS AND KNOBS ARE TIGHTENED.
- **EVERY SIX MONTHS, PLEASE MAKE SURE ALL BOLTS, SCREWS AND KNOBS ARE FULLY TIGHTENED TO ENSURE STABILITY.**
- IF ANY PARTS ARE MISSING, BROKEN, DAMAGED OR WORN, STOP USE OF THE PRODUCT UNTIL REPAIRS ARE MADE USING FACTORY AUTHORIZED PARTS.
- DISPOSE OF PACKAGING PROPERLY. PLASTIC BAG IS NOT A TOY. DO NOT USE PLASTIC BAG AS HEAD COVERING - IT MAY CAUSE SUFFOCATION.
- FAILURE TO FOLLOW THESE WARNINGS COULD RESULT IN SERIOUS INJURY.
- NOTE: SOME SCREWS MAY BE PREASSEMBLED.
- IF PREASSEMBLED, IGNORE ASSEMBLY INSTRUCTIONS.

STEP 1.



STEP 2.

