

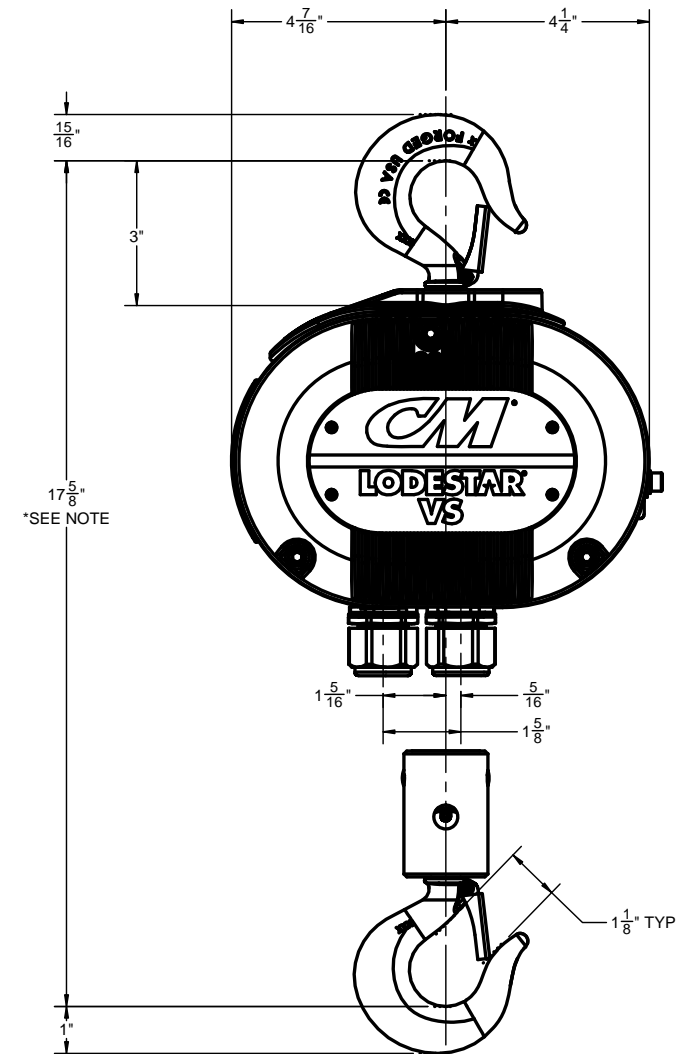
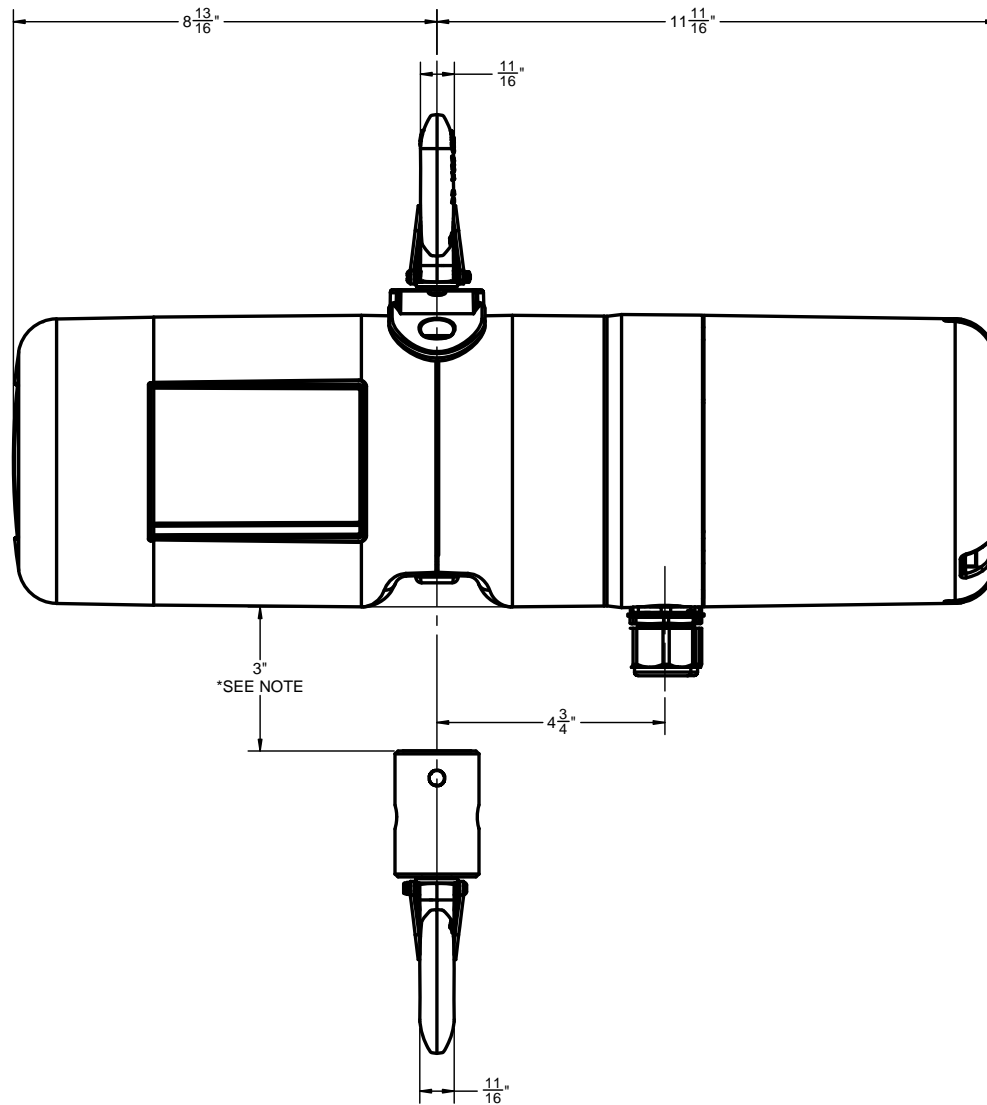


# LODESTAR<sup>®</sup> VS

VARIABLE SPEED ELECTRIC CHAIN HOIST

## DIMENSION DRAWINGS

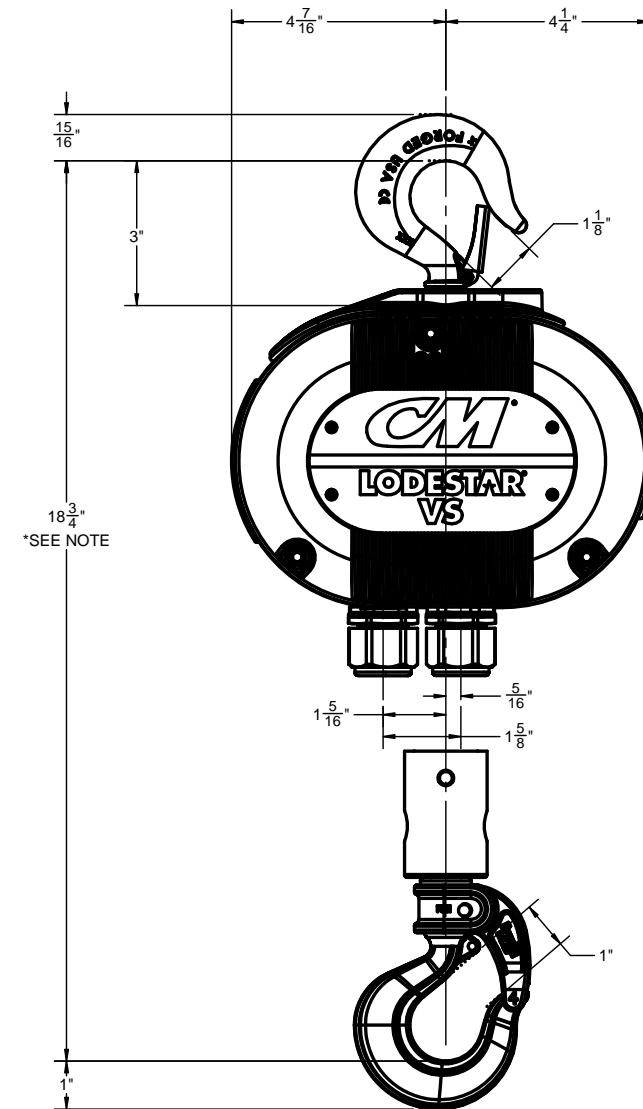
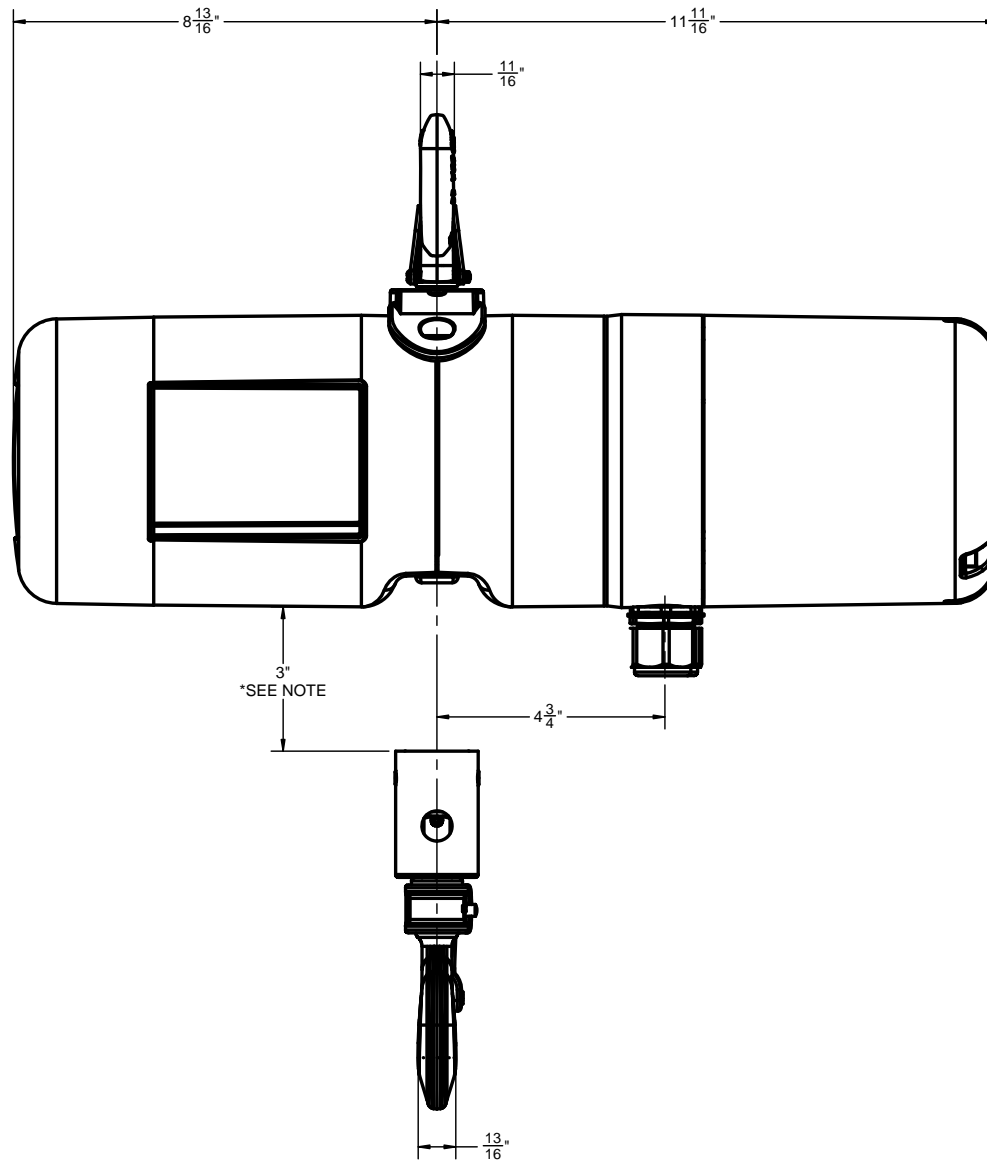
PAGE #	DRAWING #	HOIST & FRAME SIZE	REEVING	SUSPENSION/HOOKS	MODELS
2	33374201	CM Lodestar VS (Small Frame)	1	Latch Type Hooks	A, AA, B, C & F
3	33374205	CM Lodestar VS (Small Frame)	1	Latch Type Upper Hook, Bullard Lower Hook	A, AA, B, C & F
4	33374203	CM Lodestar VS (Small Frame)	1	Latchlok Hooks	A, AA, B, C & F
5	33374207	CM Lodestar VS (Small Frame)	1	UT Lug, Latch Type Lower Hook	A, AA, B, C & F
6	33374202	CM Lodestar VS (Small Frame)	2	Latch Type Hooks	E, H
7	33374204	CM Lodestar VS (Small Frame)	2	Latch Type Upper Hook, Latchlok Lower Hook	E, H
8	33374206	CM Lodestar VS (Small Frame)	2	Latch Type Upper Hook, Bullard Lower Hook	E, H
9	33374208	CM Lodestar VS (Small Frame)	2	UT Lug, Latch Type Lower Hook	E, H
10	33374214	CM Lodestar VS (Large Frame)	1	Latch Type Hooks	L, J
11	33374217	CM Lodestar VS (Large Frame)	1	Latchlok Hooks	L, J
12	33374220	CM Lodestar VS (Large Frame)	1	UT Lug, Latch Type Lower Hook	L, J
13	33374223	CM Lodestar VS (Large Frame)	1	Lug, Latch Type Lower Hook	L, J
14	33374215	CM Lodestar VS (Large Frame)	2	Latch Type Hooks	R
15	33374218	CM Lodestar VS (Large Frame)	2	Latchlok Hooks	R
16	33374221	CM Lodestar VS (Large Frame)	2	UT Lug, Latch Type Lower Hook	R
17	33374224	CM Lodestar VS (Large Frame)	2	Lug, Latch Type Lower Hook	R
18	33374216	CM Lodestar VS (Large Frame)	3	Latch Type Hooks	RT
19	33374219	CM Lodestar VS (Large Frame)	3	Latchlok Hooks	RT
20	33374222	CM Lodestar VS (Large Frame)	3	UT Lug, Latch Type Lower Hook	RT
21	33374225	CM Lodestar VS (Large Frame)	3	Lug, Latch Type Lower Hook	RT



NOTICE TO PERSONS RECEIVING THIS DRAWING AND/OR TECHNICAL INFORMATION  
 Columbus McKinnon Corporation (CMCO) claims proprietary rights in the material disclosed herein. The drawing and/or technical information is issued in confidence and is the property of CMCO. This drawing and/or technical information is loaned for mutual assistance and is subject to recall by CMCO at any time. This drawing and/or technical information is the property of CMCO.

**NOTES:**  
 \*FOR MODELS A & C,  
 FOR AA MODELS ADD 3"  
 FOR B, F MODELS SUBTRACT 1 1/2"  
 \*DUE TO PROPER LIMIT SWITCH ADJUSTMENT,  
 THESE DIMENSIONS MAY VARY.

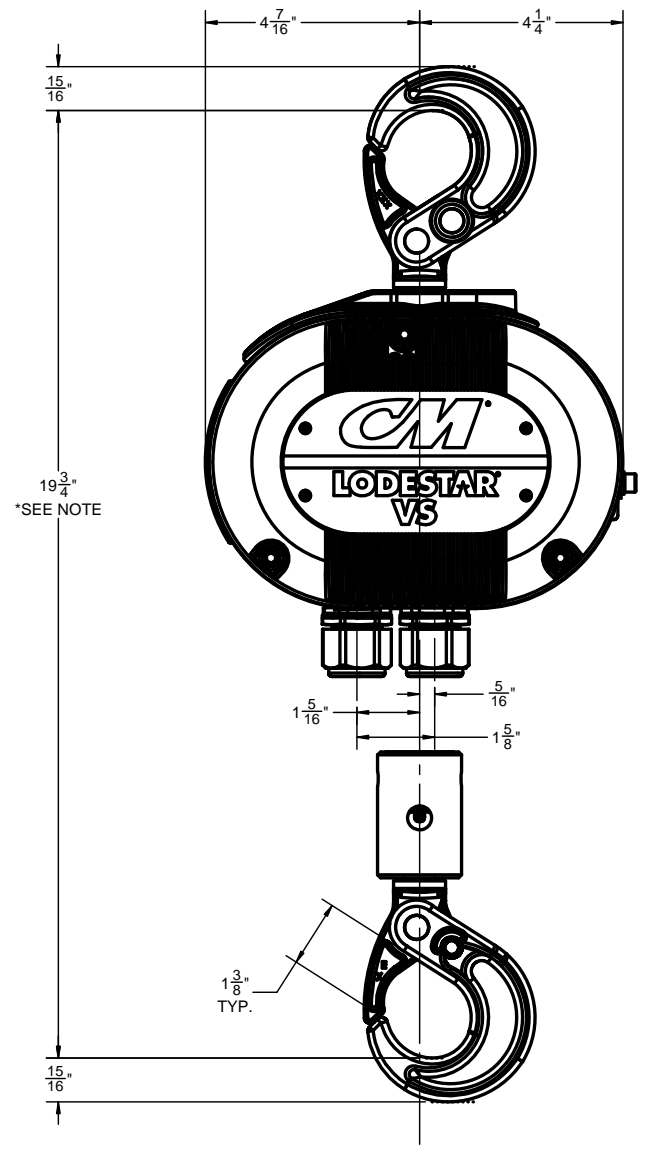
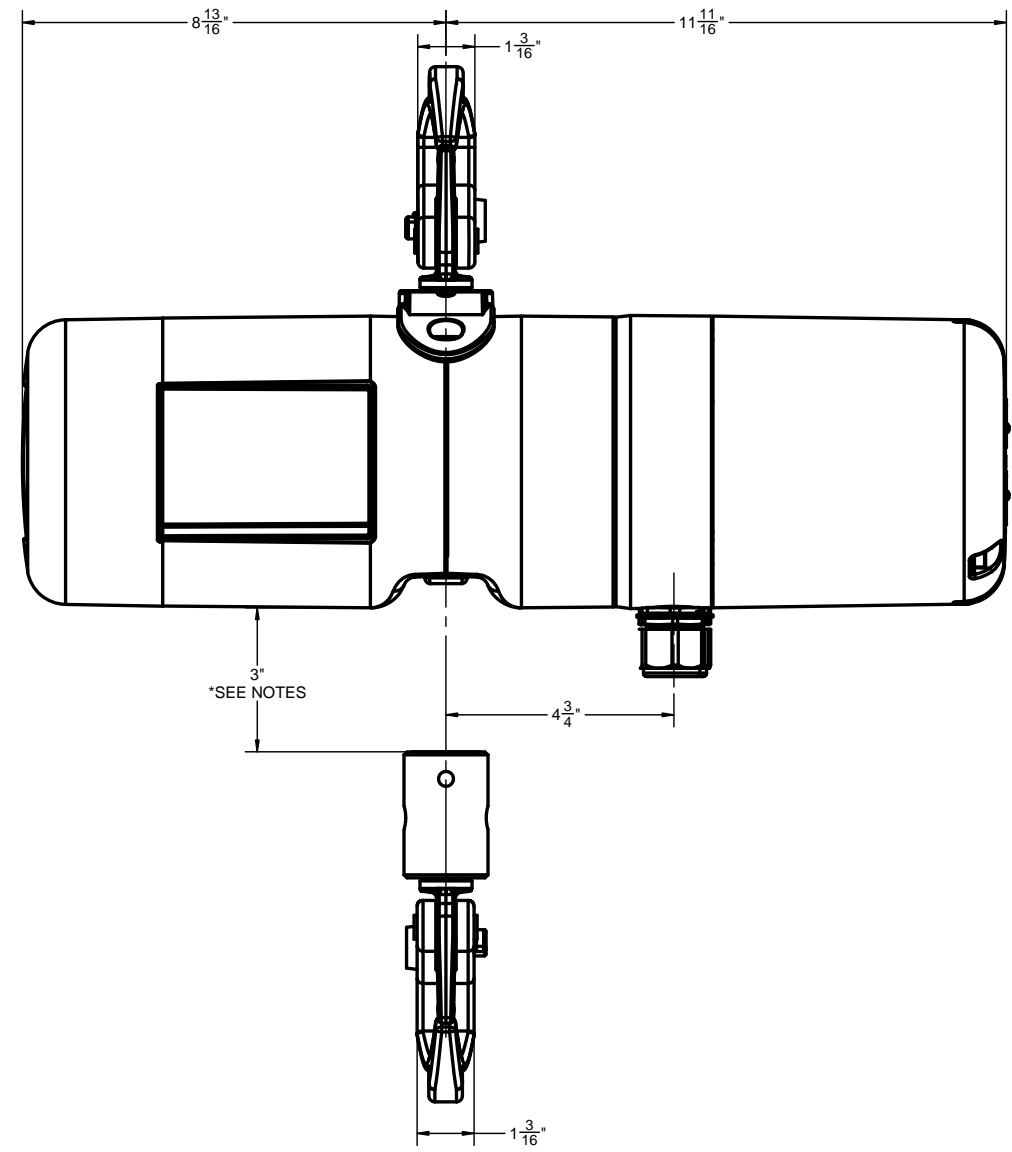
Dimensional Units INCH		Columbus McKinnon Corporation Hoist & Rigging - Americas Amherst, NY USA
Material: Standard: Material No: Model No: Drawn: Approved: Design Authority: Original project: Original scale:		
Description: LODESTAR VS-V1 CLEARANCE DIAGRAM FIXED LATCH TYPE UPPER LATCH TYPE HOOKS		Format: Number: Sheet D 33374201 1/1



NOTICE TO PERSONS RECEIVING THIS DRAWING AND/OR TECHNICAL INFORMATION:  
 Columbus McKinnon Corporation (CMCO) claims proprietary rights in the material disclosed herein. The drawing and/or technical information is issued in confidence and is the property of CMCO. It is not to be used, copied, or reproduced in any form without the written permission of CMCO. This drawing and/or technical information is issued for mutual assistance and is subject to recall by CMCO at any time. This drawing and/or technical information is the property of CMCO.

NOTES:  
 \*FOR MODELS A & C,  
 FOR AA MODELS ADD 3"  
 FOR B, F MODELS SUBTRACT 1 1/2"  
 \*DUE TO PROPER LIMIT SWITCH ADJUSTMENT,  
 THESE DIMENSIONS MAY VARY.

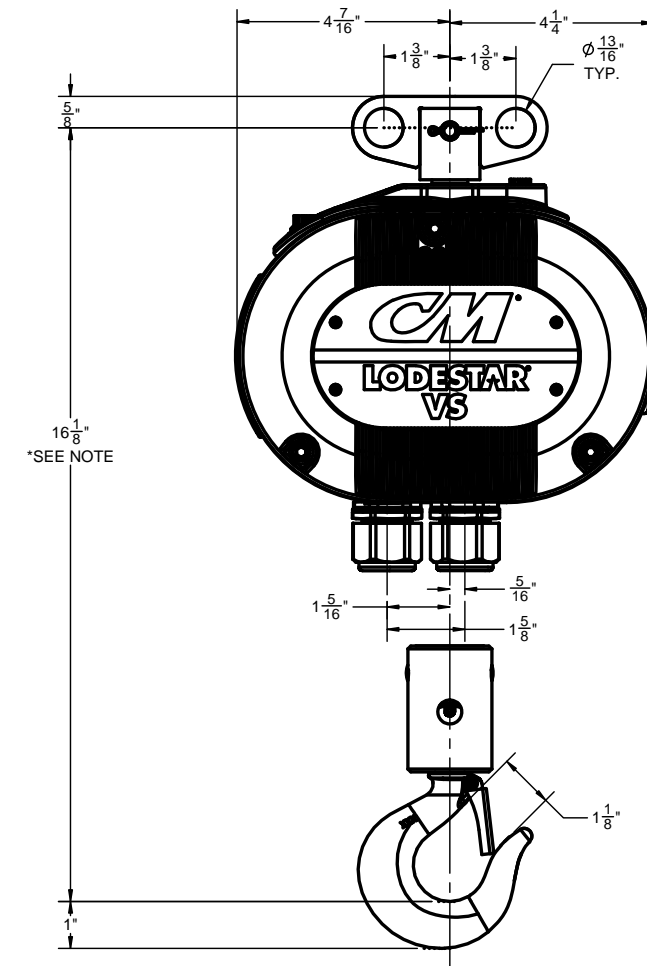
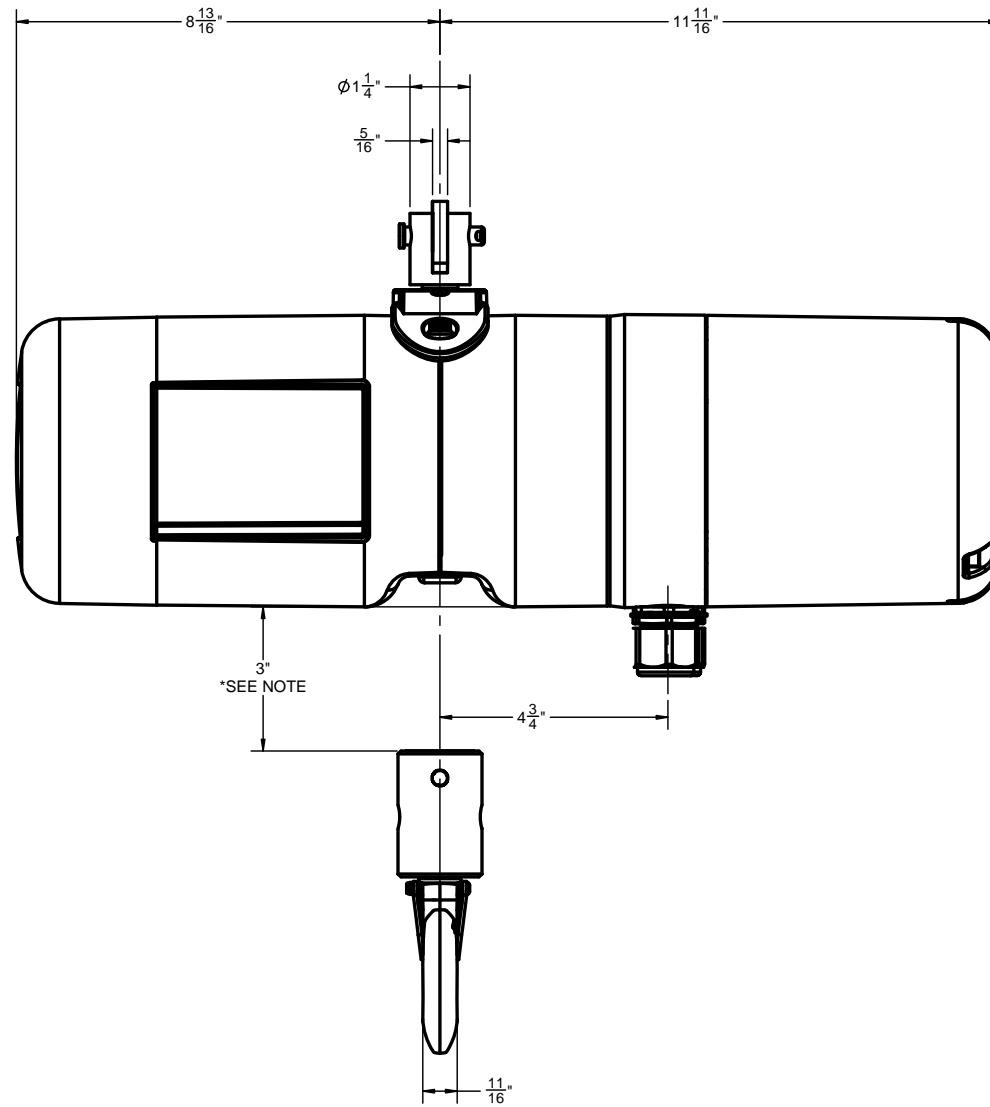
Dimensional Units INCH		Columbus McKinnon Corporation Hoist & Rigging - Americas Amherst, NY USA						
Material: Standard: Material No: Modeled: 11/30/2017 3PMD Drawn: 11/30/2017 3PMD Approved: 11/30/2017 3PMD								
Description: LODESTAR VS-V1, MODELS A, AA, C, B & F SINGLE REEVED LATCH TYPE UPPER, BULLARD LWR		Format: Number: D 33374205						
ECN	Rev.	Description of change	Date	By	Original project:	CAD Data	Original scale:	1:2



NOTICE TO PERSONS RECEIVING THIS DRAWING AND/OR TECHNICAL INFORMATION  
 Columbus McKinnon Corporation (CMCO) claims proprietary rights in the material disclosed herein. The drawing and/or technical information is issued in confidence and is not to be distributed, copied, or otherwise used in any manner without the prior written permission of CMCO. This drawing and/or technical information is issued for mutual assistance and is subject to recall by CMCO at any time. This drawing and/or technical information is the property of CMCO.

**NOTES:**  
 \*FOR MODELS A & C,  
 FOR AA MODELS ADD 3"  
 FOR B, F MODELS SUBTRACT 1 1/2"  
 \*DUE TO PROPER LIMIT SWITCH ADJUSTMENT,  
 THESE DIMENSIONS MAY VARY.

Dimensional Units INCH		Columbus McKinnon Corporation Hoist & Rigging - Americas Amherst, NY USA		
Material:				
Standard:		Description: <b>LODESTAR VS-V1, MODELS A, AA, C, B &amp; F</b> SINGLE REEVED LATCHLOK HOOKS		
Material No:				
Modeled: 11/30/2017 3PMD		Format: Number: <b>D 33374203</b>		
Drawn: 11/30/2017 3PMD				
Approved: 11/30/2017 3PMD		Sheet: 1/1		
Design Authority: Damascus				
Original project: CAD Data				
Original scale: 1:2				
ECN	Rev.	Description of change	Date	By



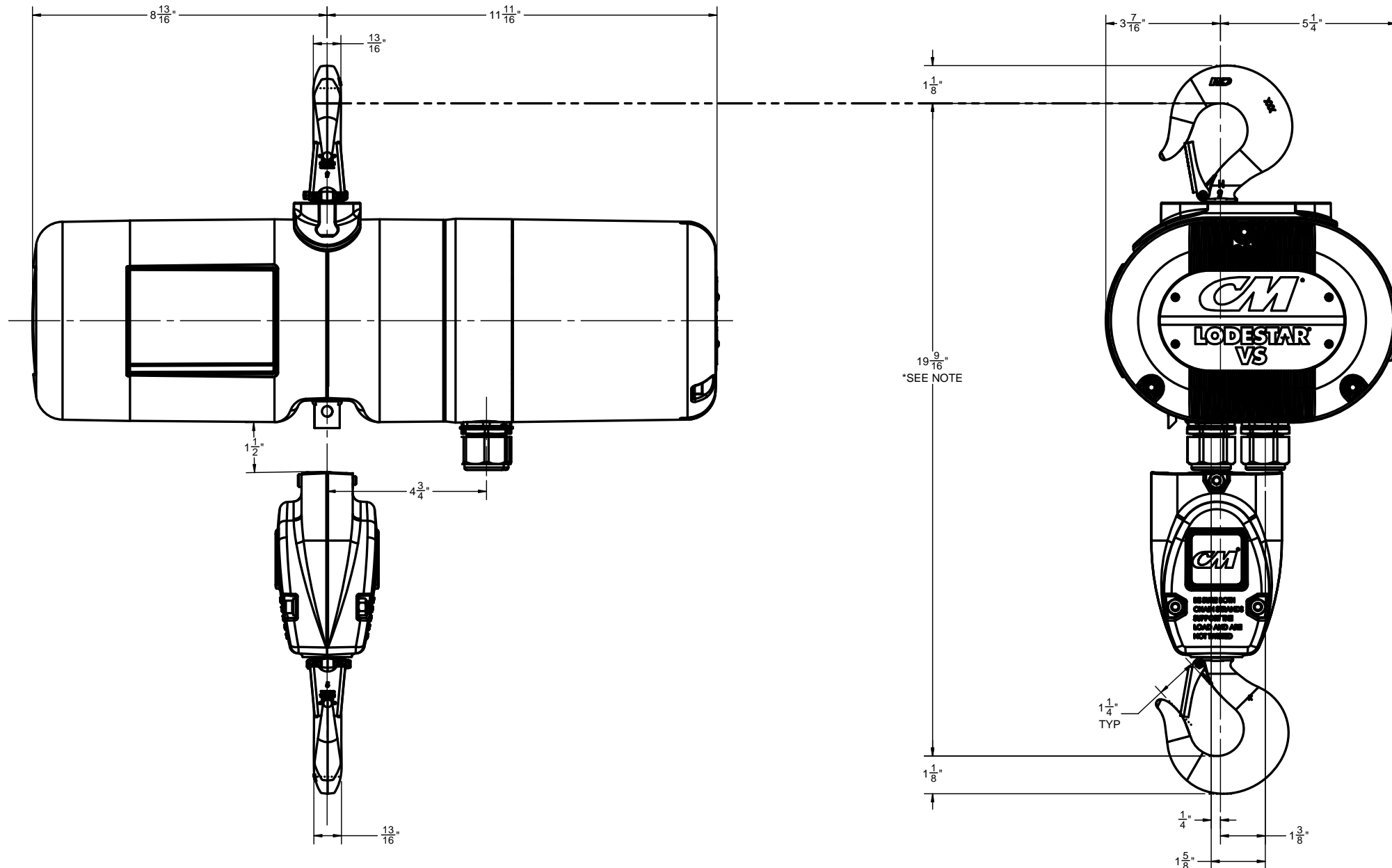
NOTICE TO PERSONS RECEIVING THIS DRAWING AND/OR TECHNICAL INFORMATION:  
 Columbus McKinnon Corporation (CMCO) claims proprietary rights in the material disclosed herein. The drawing and/or technical information is issued in confidence and is not to be distributed, copied, reproduced, or otherwise used in any manner without the express written permission of CMCO. This drawing and/or technical information is issued for mutual assistance and is subject to recall by CMCO at any time. This drawing and/or technical information is the property of CMCO.

NOTES:  
 \*FOR MODELS A & C,  
 FOR AA MODELS ADD 3"  
 FOR B, F MODELS SUBTRACT 1½"  
 \*DUE TO PROPER LIMIT SWITCH ADJUSTMENT,  
 THESE DIMENSIONS MAY VARY.

Material:		Standard:		Modeled:	11/30/2017	3PMD
Drawn:		Approved:		Design Authority:	Damascus	
Original project:		Original scale:		Format:	D	Number: 33374207
ECN	Rev.	Description of change	Date	By		Sheet 1/1

Dimensional Units: INCH	Columbus McKinnon Corporation Hoist & Rigging - Americas Amherst, NY USA
Third Angle Projection	

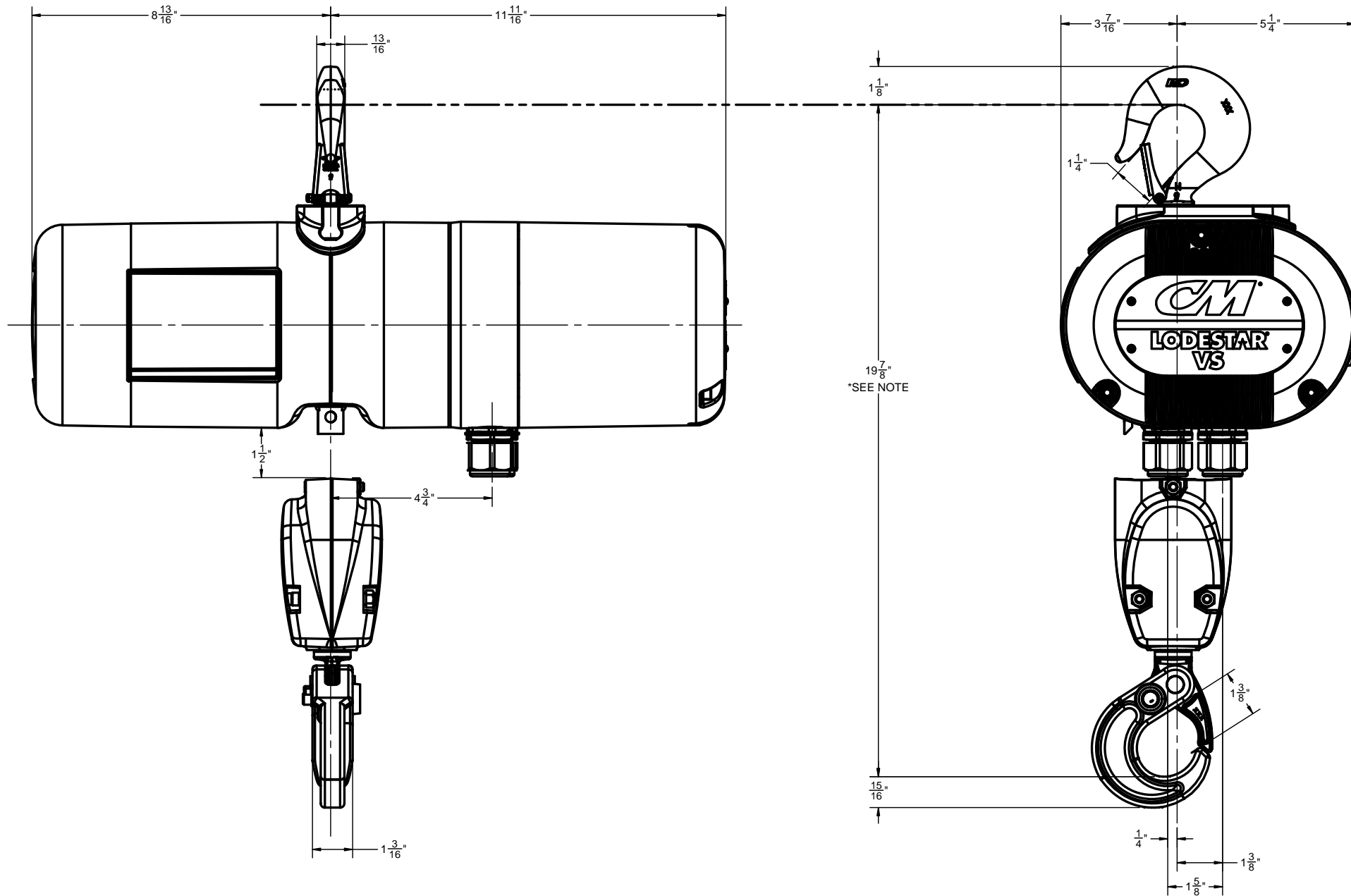
Description:  
**LODESTAR VS-V1, MODELS A, AA, C, B & F**  
 SINGLE REEVED  
 LUT SUSP UPPER, LATCH TYPE LWR



NOTICE TO PERSONS RECEIVING THIS DRAWING AND/OR TECHNICAL INFORMATION  
 Columbus McKinnon Corporation (CMCO) claims proprietary rights in the material disclosed herein. The drawing and/or technical information is issued in confidence and is not to be distributed, copied, or otherwise used in whole or in part without the written permission of CMCO. This drawing and/or technical information is issued for mutual assistance and is subject to recall by CMCO at any time. This drawing and/or technical information is the property of CMCO.

Dimensional Units INCH		Columbus McKinnon Corporation Hoist & Rigging - Americas Amherst, NY USA
Material: Standard: Material No: Model: 11/30/2017 3PMD Drawn: 11/30/2017 3PMD Approved: 11/30/2017 3PMD Design Authority: Damascus Original project: CAD Data Original scale: 1:2		
Description: <b>LODESTAR VS-V1, MODELS E &amp; H</b> DOUBLE REEVED LATCH TYPE HOOKS		Format: Number: <b>D 33374202</b>
Sheet: 1/1		

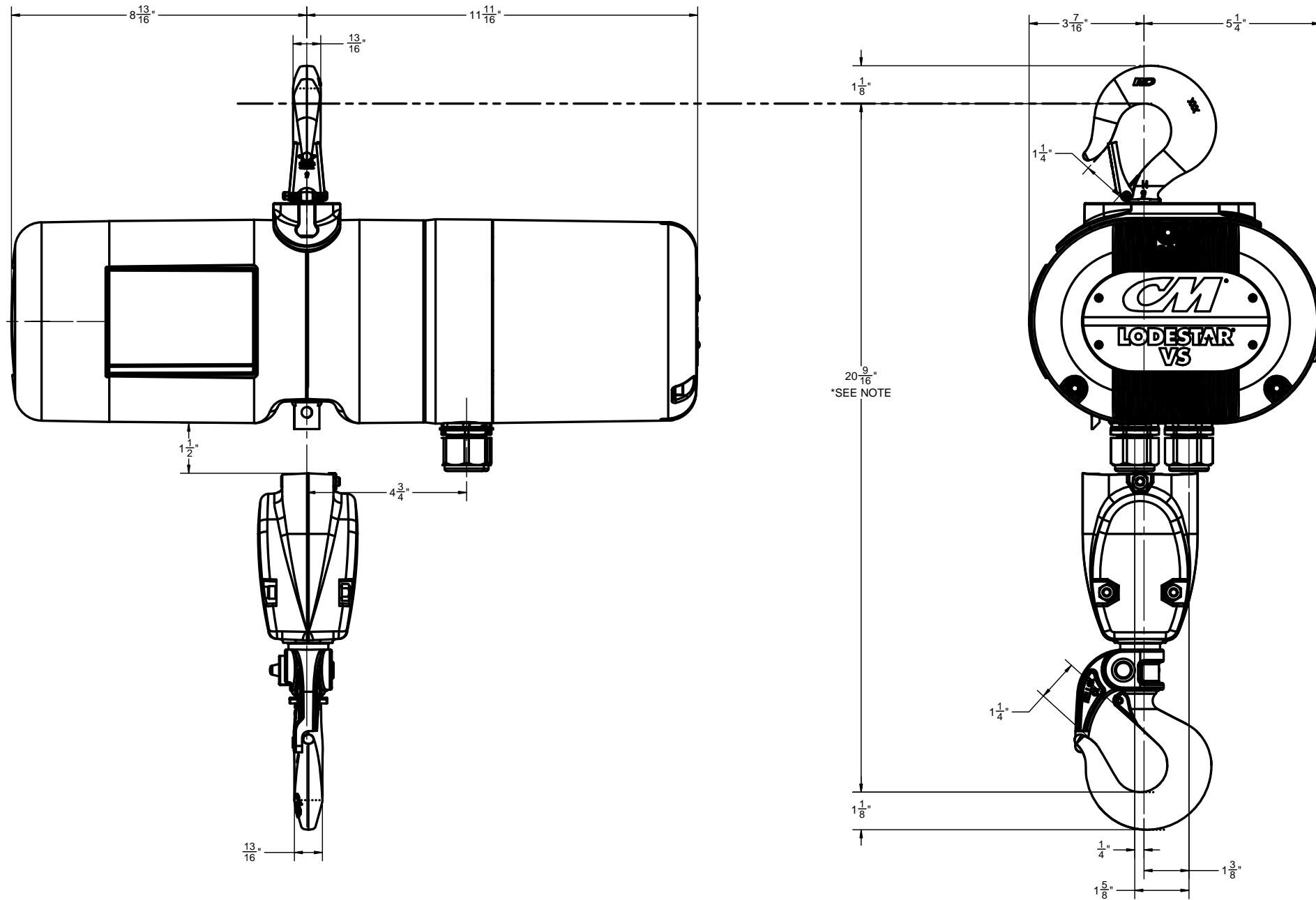
ECN	Rev.	Description of change	Date	By



NOTICE TO PERSONS RECEIVING THIS DRAWING AND/OR TECHNICAL INFORMATION  
 Columbus McKinnon Corporation (CMCO) claims proprietary rights in the material disclosed herein. The drawing and/or technical information is issued in confidence and is not to be distributed, copied, or otherwise used in any manner without the express written permission of CMCO. This drawing and/or technical information is issued for mutual assistance and is subject to recall by CMCO at any time. This drawing and/or technical information is the property of CMCO.

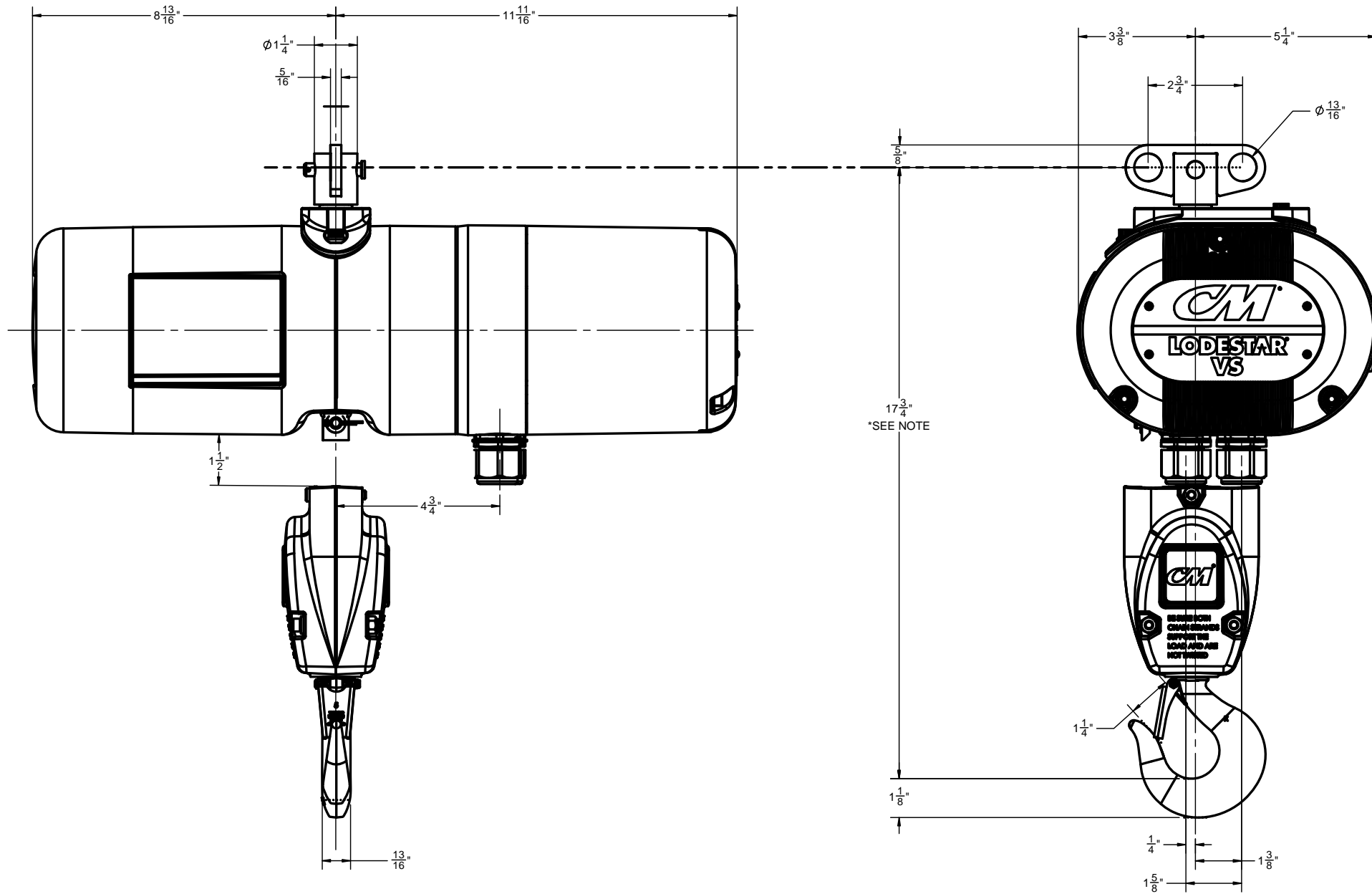
Dimensional Units INCH		Columbus McKinnon Corporation Hoist & Rigging - Americas Amherst, NY USA
Material: Standard: Material No: Modeled: 11/30/2017 3PMD Drawn: 11/30/2017 3PMD Approved: 11/30/2017 3PMD Design Authority: Damascus Original project: CAD Data Original scale: 1:2		
Description: LODESTAR VS-V1, MODELS E & H DOUBLE REEVED LATCH TYPE UPPER, LATCHLOK LOW		Format: D Number: 33374204 Sheet: 1/1

ECN	Rev.	Description of change	Date	By



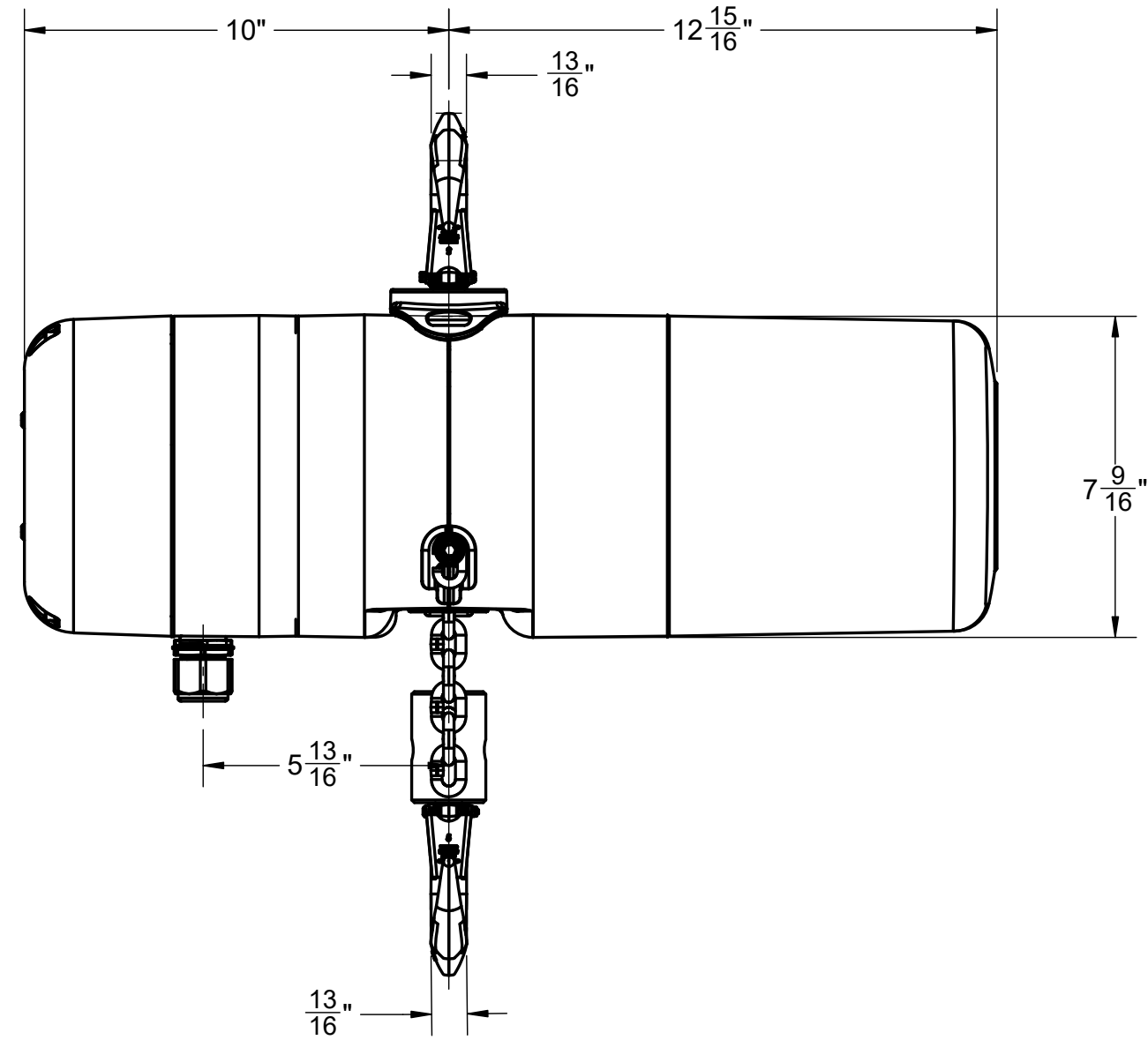
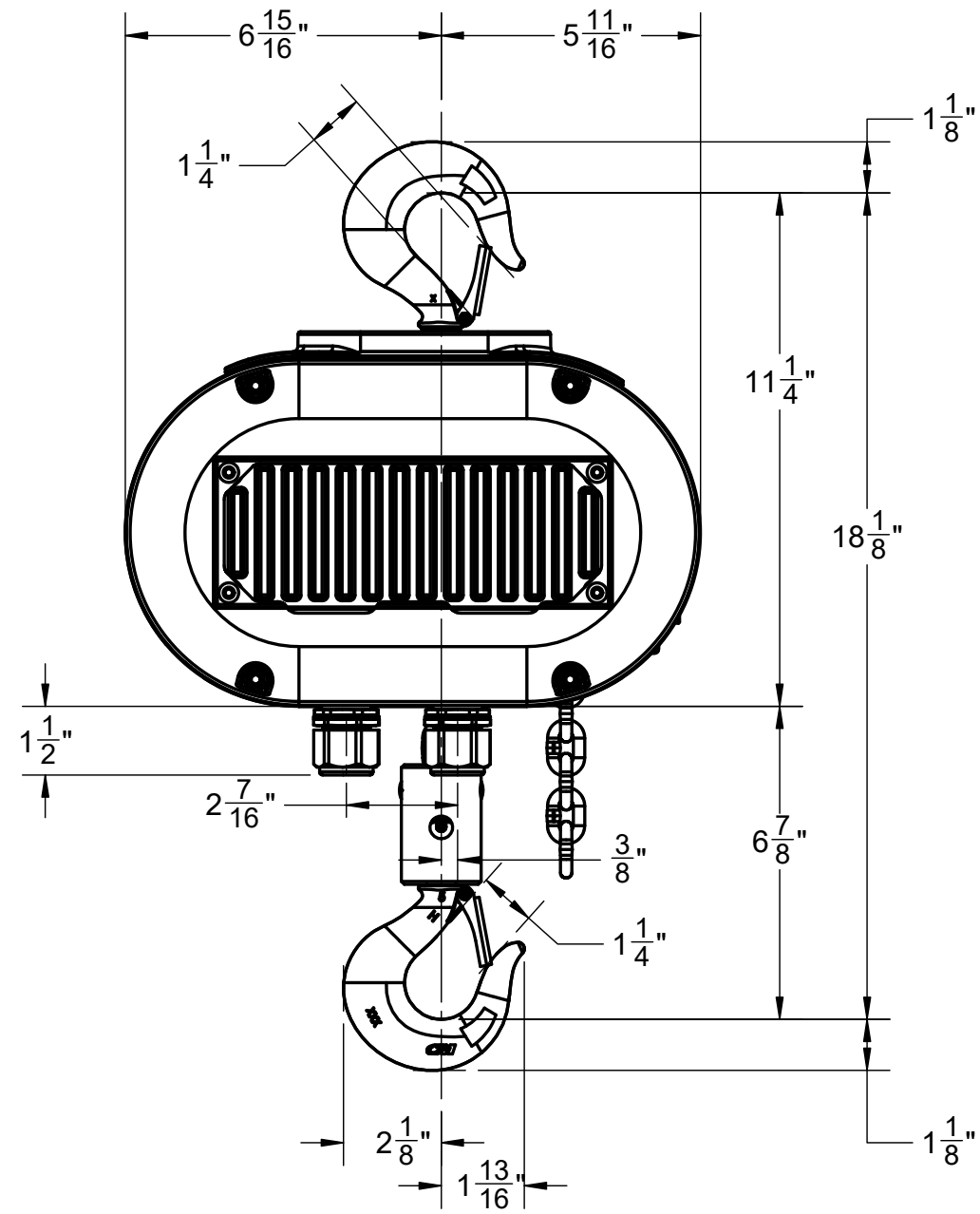
NOTICE TO PERSONS RECEIVING THIS DRAWING AND/OR TECHNICAL INFORMATION  
 Columbus McKinnon Corporation (CMCO) claims proprietary rights in the material disclosed herein. The drawing and/or technical information is issued in confidence and is the property of CMCO. This drawing and/or technical information is loaned for mutual assistance and is subject to recall by CMCO at any time. This drawing and/or technical information is the property of CMCO.

Dimensional Units INCH		Columbus McKinnon Corporation Hoist & Rigging - Americas Amherst, NY USA
Material: Standard: Material No: Model: 11/30/2017 3PMD Drawn: 11/30/2017 3PMD Approved: 11/30/2017 3PMD Design Authority: Damascus Original project: CAD Data Original scale: 1:2		
Description: LODESTAR VS-V1, MODELS E & H DOUBLE REEVED LATCH TYPE UPPER, BULLARD LWR		Format: Number: D 33374206
ECN Rev. Description of change Date By		Sheet 1/1



NOTICE TO PERSONS RECEIVING THIS DRAWING AND/OR TECHNICAL INFORMATION  
 Columbus McKinnon Corporation (CMCO) claims proprietary rights in the material disclosed herein. The drawing and/or technical information is issued in confidence and is not to be distributed, copied, or otherwise used in whole or in part without the written permission of CMCO. This drawing and/or technical information is issued for mutual assistance and is subject to recall by CMCO at any time. This drawing and/or technical information is the property of CMCO.

Dimensional Units INCH		Columbus McKinnon Corporation Hoist & Rigging - Americas Amherst, NY USA
Material: Standard: Material No: Model: 11/30/2017 3PMD Drawn: 11/30/2017 3PMD Approved: 11/30/2017 3PMD Design Authority: Damascus Original project: CAD Data Original scale: 1:2		
Description: LODESTAR VS-V1, MODELS E & H DOUBLE REEVED UT SUSP UPPER, LATCH TYPE LWR		Format: Number: D 33374208
ECN Rev. Description of change Date By		Sheet 1/1



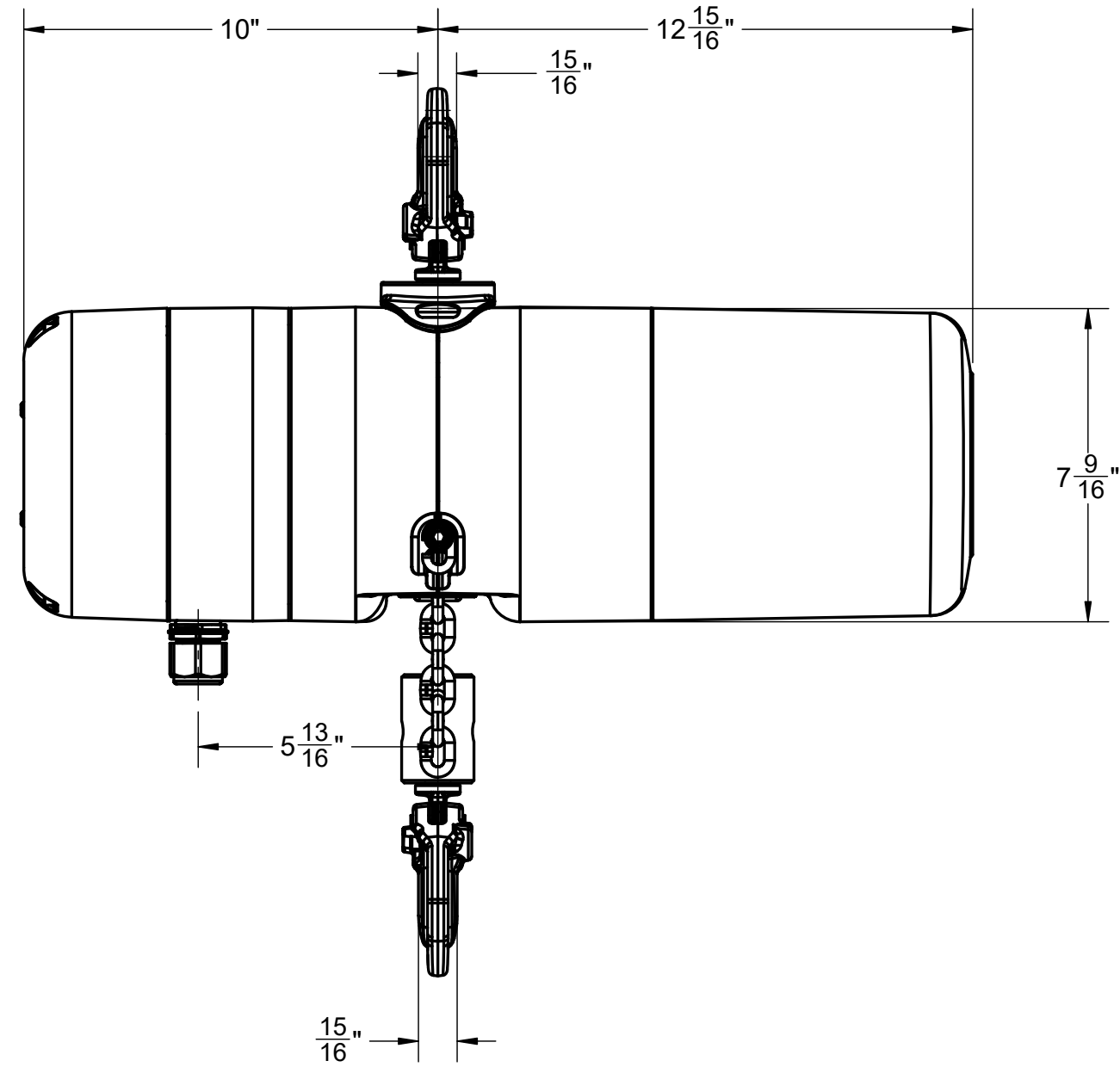
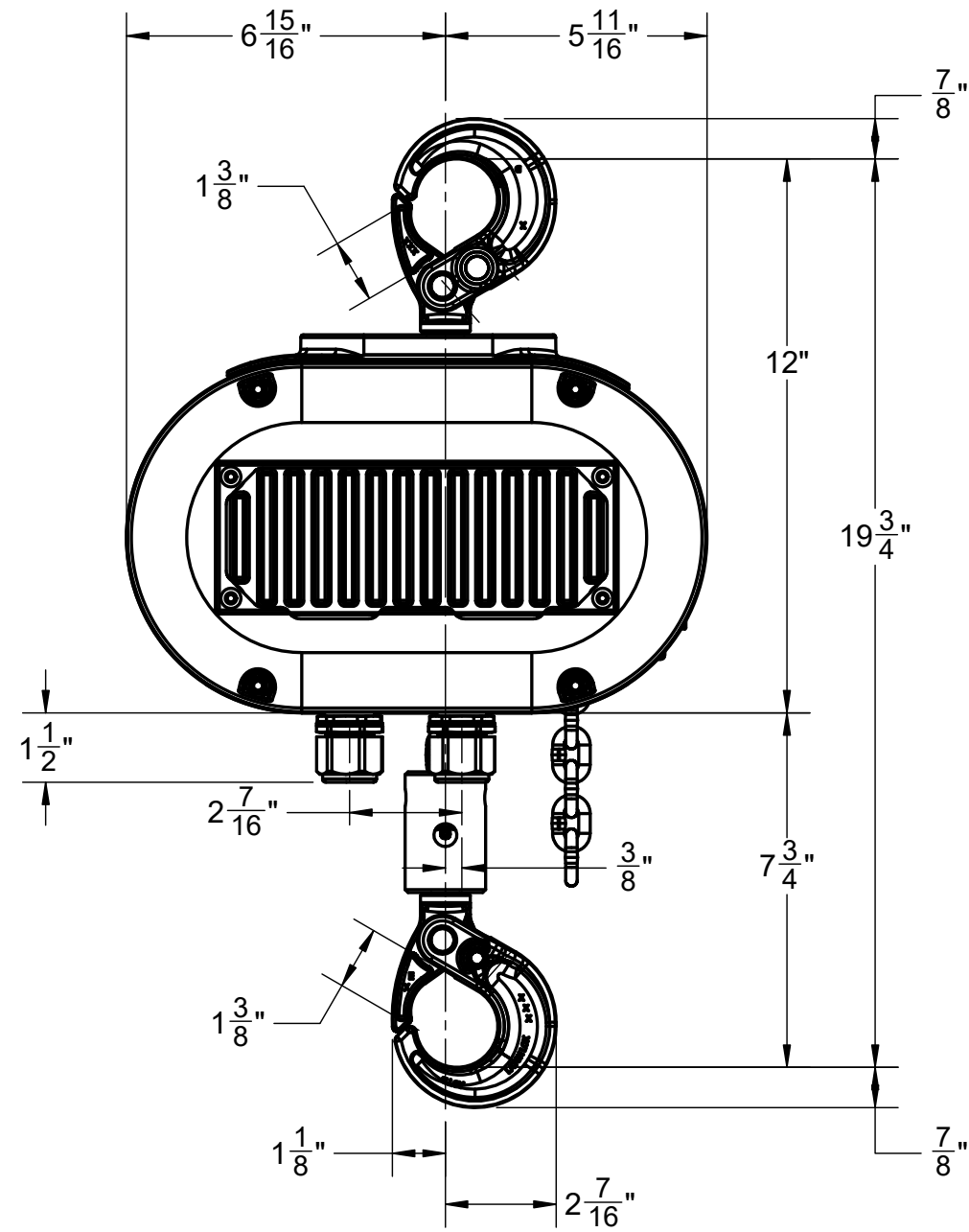
NOTICE TO PERSONS RECEIVING THIS DRAWING AND/OR TECHNICAL INFORMATION  
 Columbus McKinnon Corporation (CMCO) claims proprietary rights in the material disclosed hereon. This drawing and/or technical information is issued in confidence and is the property of CMCO. No part of this drawing or technical information may be reproduced, stored in a retrieval system, or transmitted in any form or by any means, electronic, mechanical, photocopying, recording, or otherwise, without the prior written permission of CMCO. The design and/or technical information is the property of CMCO. This drawing and/or technical information is issued in confidence and is the property of CMCO.

Standard Dimensional Tolerances Unless Otherwise Specified		Dimensional Units INCH	
	0" to .60"	Over .60"	
X	± .020	± .025	 Third Angle Projection
XX	± .010	± .015	
XXX	± .005	± .010	
Ang	± 0°30'	± 0°30'	

**Columbus McKinnon Corporation**  
 Hoist & Rigging - Americas  
 Amherst, NY USA  
**COLUMBUS MCKINNON CORPORATION**

Material:		Description:	<b>LODESTAR VS-V2, MODELS L &amp; J</b>
Standard:			<b>SINGLE REEVED, LATCH TYPE HKS</b>
Material No:		Format	Number:
Modeled:	10/01/2018	DPMDM	<b>C 33374214</b>
Drawn:	10/01/2018	DPMDM	Sheet
Approved:	10/01/2018	DPMDM	<b>1/1</b>
Design Authority:	Damascus	Original project:	Hoist PDE
Original scale:	1:4		

ECN	Rev.	Description of change	Date	By
-	-	-	-	-
-	-	-	-	-
-	-	-	-	-



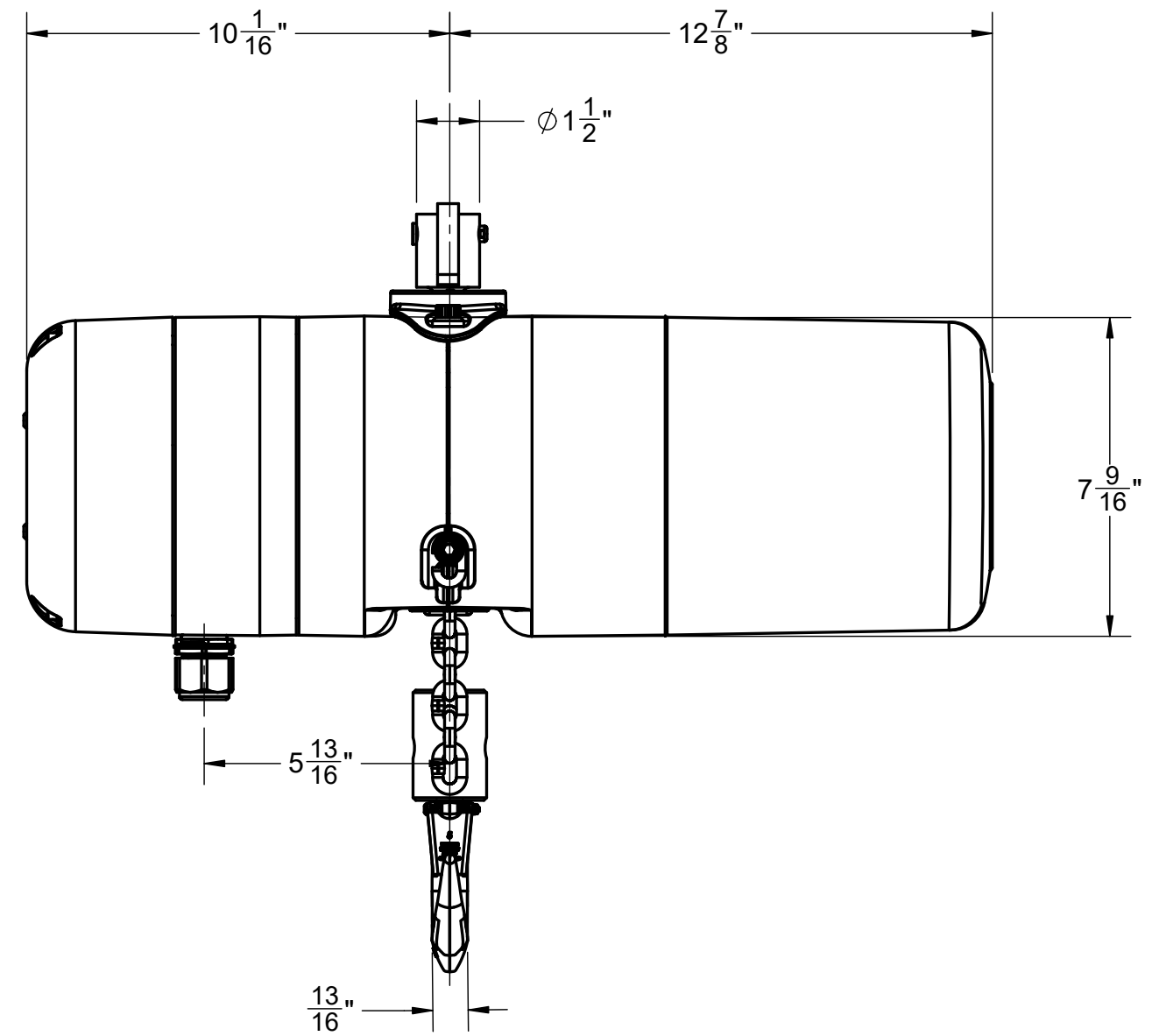
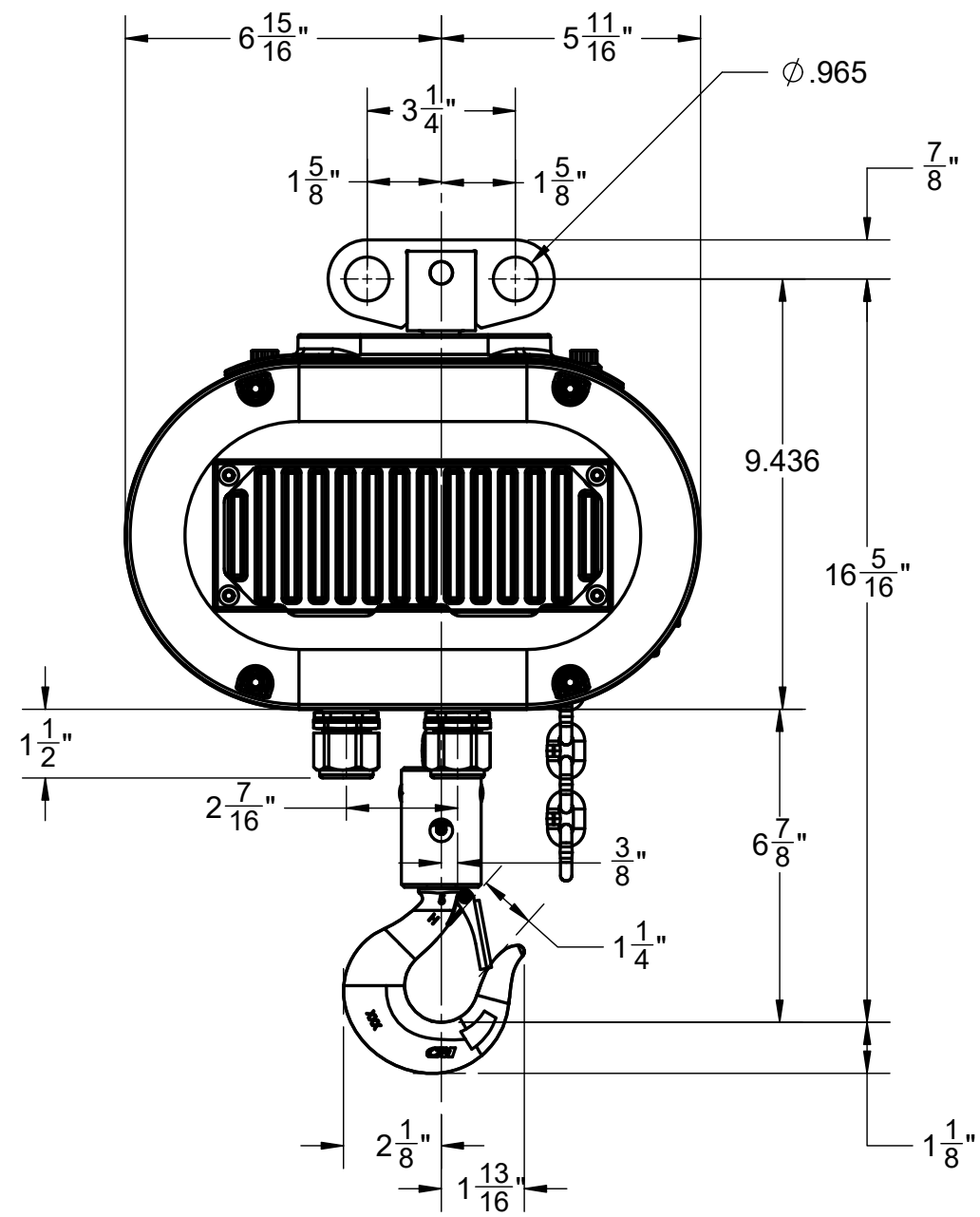
NOTICE TO PERSONS RECEIVING THIS DRAWING AND/OR TECHNICAL INFORMATION  
 Columbus McKinnon Corporation (CMCO) claims proprietary rights in the material disclosed hereon. This drawing and/or technical information is issued in confidence and is not to be used for any purpose other than that intended. Any unauthorized use, copying, or reproduction of this drawing and/or technical information without the express written permission of CMCO is prohibited. CMCO is not responsible for any errors or omissions in this drawing and/or technical information. This drawing and/or technical information is the property of CMCO.

Standard Dimensional Tolerances Unless Otherwise Specified		Dimensional Units INCH	
	10' to 60'	Over 60'	
X	± 0.20	± 0.25	 Third Angle Projection
XX	± 0.10	± 0.15	
XXX	± 0.05	± 0.10	
Ang	± 0'30"	± 0'30"	

**Columbus McKinnon Corporation**  
 Hoist & Rigging - Americas  
 Amherst, NY USA

Material:		Description:	<b>LODESTAR VS-V2, MODELS L &amp; J</b>
Standard:			<b>SINGLE REEVED, LATCHLOK HKS</b>
Material No:		Format	Number:
Modeled:	10/01/2018 DPMDM	<b>C</b>	<b>33374217</b>
Drawn:	10/01/2018 DPMDM		
Approved:	10/01/2018 DPMDM		
Design Authority:	Damascus		
Original project:	Hoist PDE		
Original scale:	1:4		

ECN	Rev.	Description of change	Date	By
-	-	-	-	-
-	-	-	-	-
-	-	-	-	-



NOTICE TO PERSONS RECEIVING THIS DRAWING AND/OR TECHNICAL INFORMATION  
 Columbus McKinnon Corporation (CMCO) claims proprietary rights in the material disclosed hereon. This drawing and/or technical information is issued in confidence and is not to be used for any purpose other than that intended. Any unauthorized use, copying, or reproduction of this drawing and/or technical information without the express written permission of CMCO is prohibited. CMCO is not responsible for any errors or omissions in this drawing and/or technical information. This drawing and/or technical information is the property of CMCO.

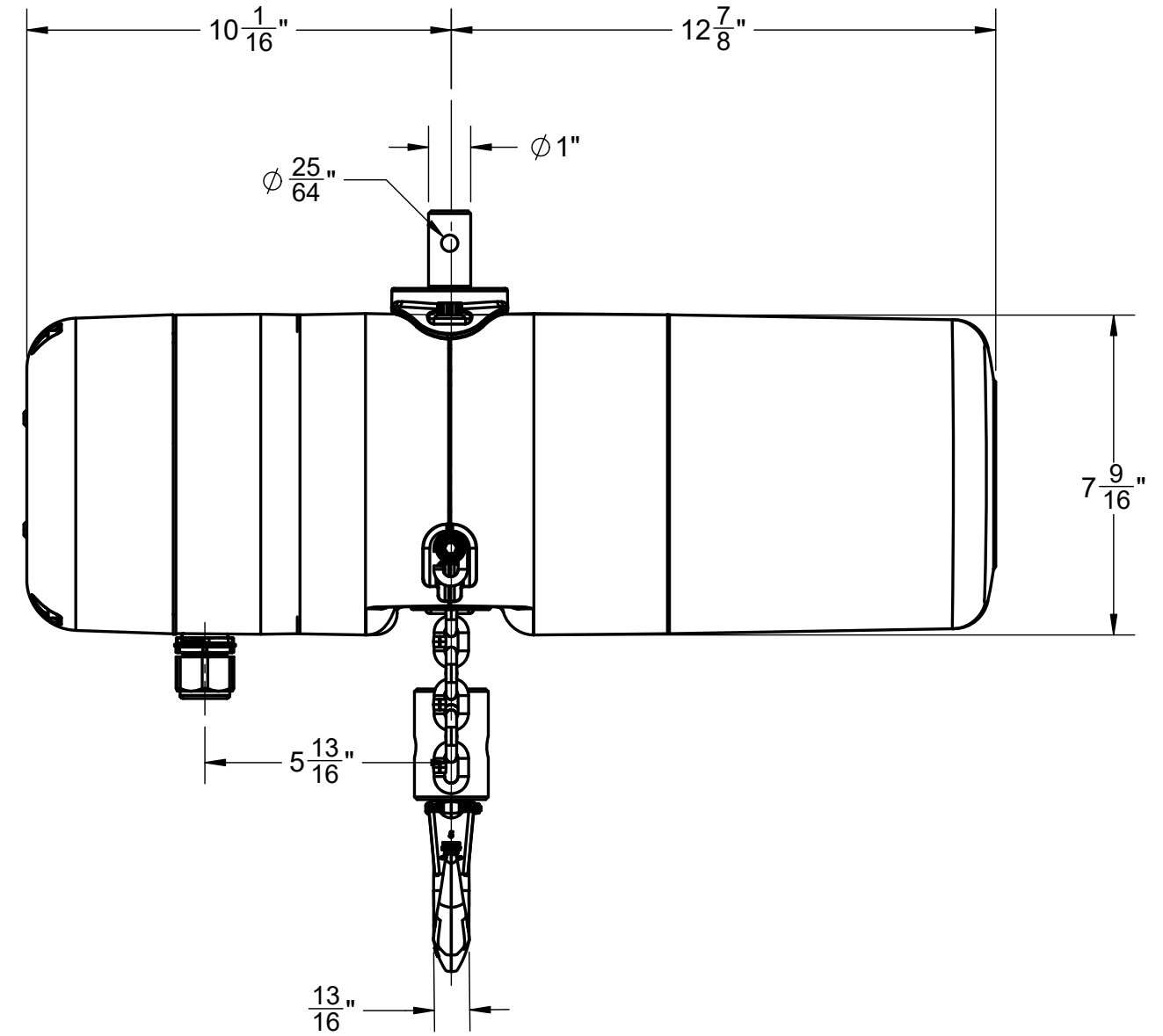
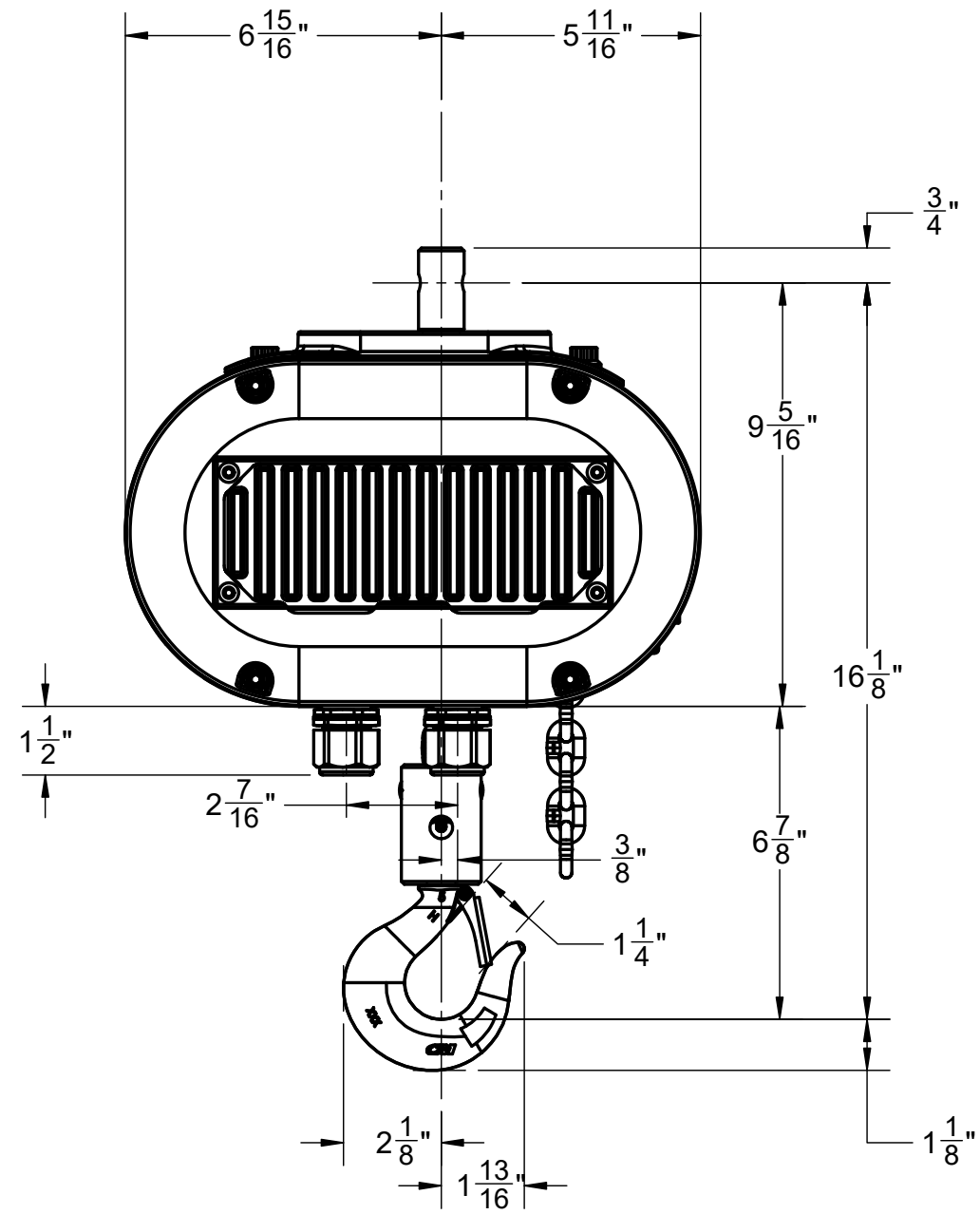
Standard Dimensional Tolerances Unless Otherwise Specified		Dimensional Units INCH	
	1" to 60"	Over 60"	
X	± 0.20	± 0.25	 Third Angle Projection
XX	± 0.10	± 0.15	
XXX	± 0.05	± 0.10	
Ang	± 0°30'	± 0°30'	

**Columbus McKinnon Corporation**  
 Hoist & Rigging - Americas  
 Amherst, NY USA  
**COLUMBUS MCKINNON CORPORATION**

Material:  
 Standard:  
 Material No:  
 Modeled: 10/01/2018 DPMDM  
 Drawn: 10/01/2018 DPMDM  
 Approved: 10/01/2018 DPMDM  
 Design Authority: Damascus  
 Original project: Hoist PDE  
 Original scale: 1:4

Description:  
**LODESTAR VS-V2, MODELS L & J**  
**SINGLE REEVED**  
**UT LUG, LATCH TYPE LOWER HOOK**

ECN	Rev.	Description of change	Date	By	Original scale:	Format	Number:	Sheet
-	-	-	-	-	-	C	33374220	1/1



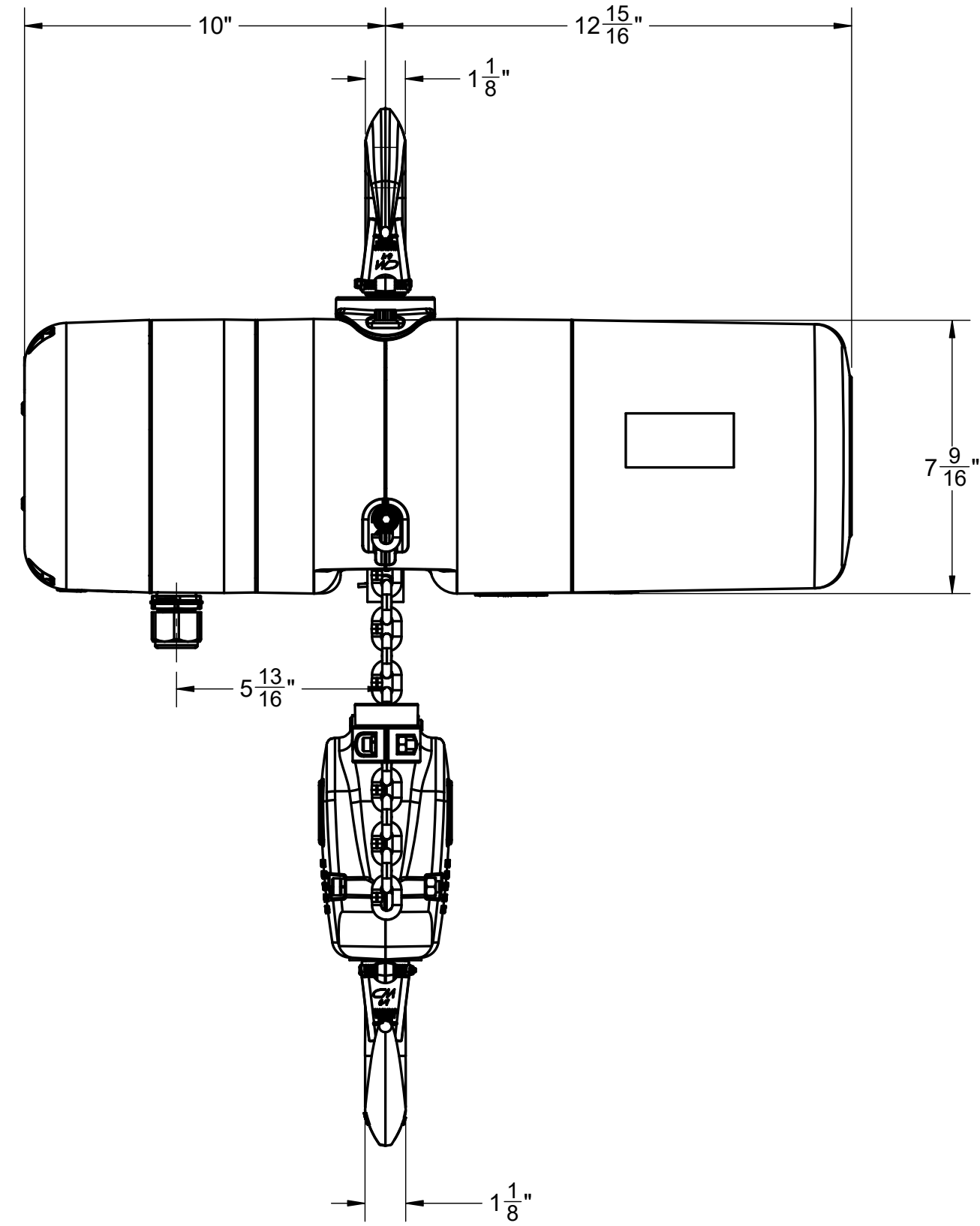
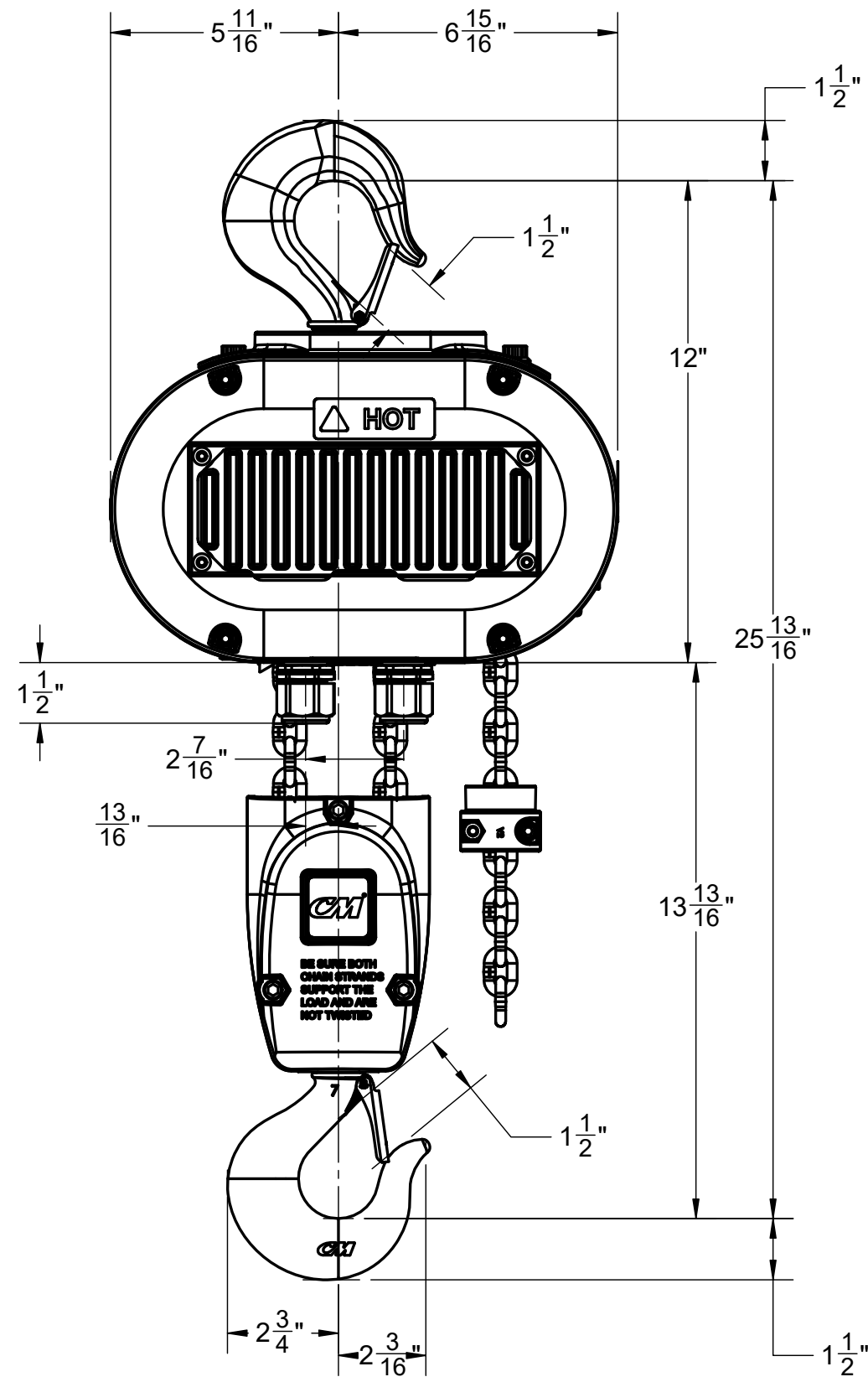
NOTICE TO PERSONS RECEIVING THIS DRAWING AND/OR TECHNICAL INFORMATION  
 Columbus McKinnon Corporation (CMCO) claims proprietary rights in the material disclosed herein. This drawing and/or technical information is issued in confidence and is not to be used, copied, reproduced, or otherwise disseminated without the express written permission of CMCO. Any information used to manufacture and/or assemble parts or components of CMCO equipment shall be used for that purpose only and shall not be used for any other purpose. This drawing and/or technical information is the property of CMCO and is subject to recall by CMCO at any time.

Standard Dimensional Tolerances Unless Otherwise Specified		Dimensional Units INCH	
	0" to .60"	Over .60"	
X	± .020	± .025	 Third Angle Projection
XX	± .010	± .015	
XXX	± .005	± .010	
Ang	± 0°30'	± 0°30'	

**Columbus McKinnon Corporation**  
 Hoist & Rigging - Americas  
 Amherst, NY USA  
**COLUMBUS MCKINNON CORPORATION**

Material:		Description:	<b>LODESTAR VS-V2, MODELS L &amp; J</b>
Standard:			<b>SINGLE REEVED</b>
Material No:			<b>LUG, LATCH TYPE LOWER HOOK</b>
Modeled:	10/01/2018	DPMDM	
Drawn:	10/01/2018	DPMDM	
Approved:	10/01/2018	DPMDM	
Design Authority:	Damascus	Format	Number:
Original project:	Hoist PDE	<b>C</b>	<b>33374223</b>
Original scale:	1:4		Sheet 1/1

ECN	Rev.	Description of change	Date	By
-	-	-	-	-
-	-	-	-	-
-	-	-	-	-



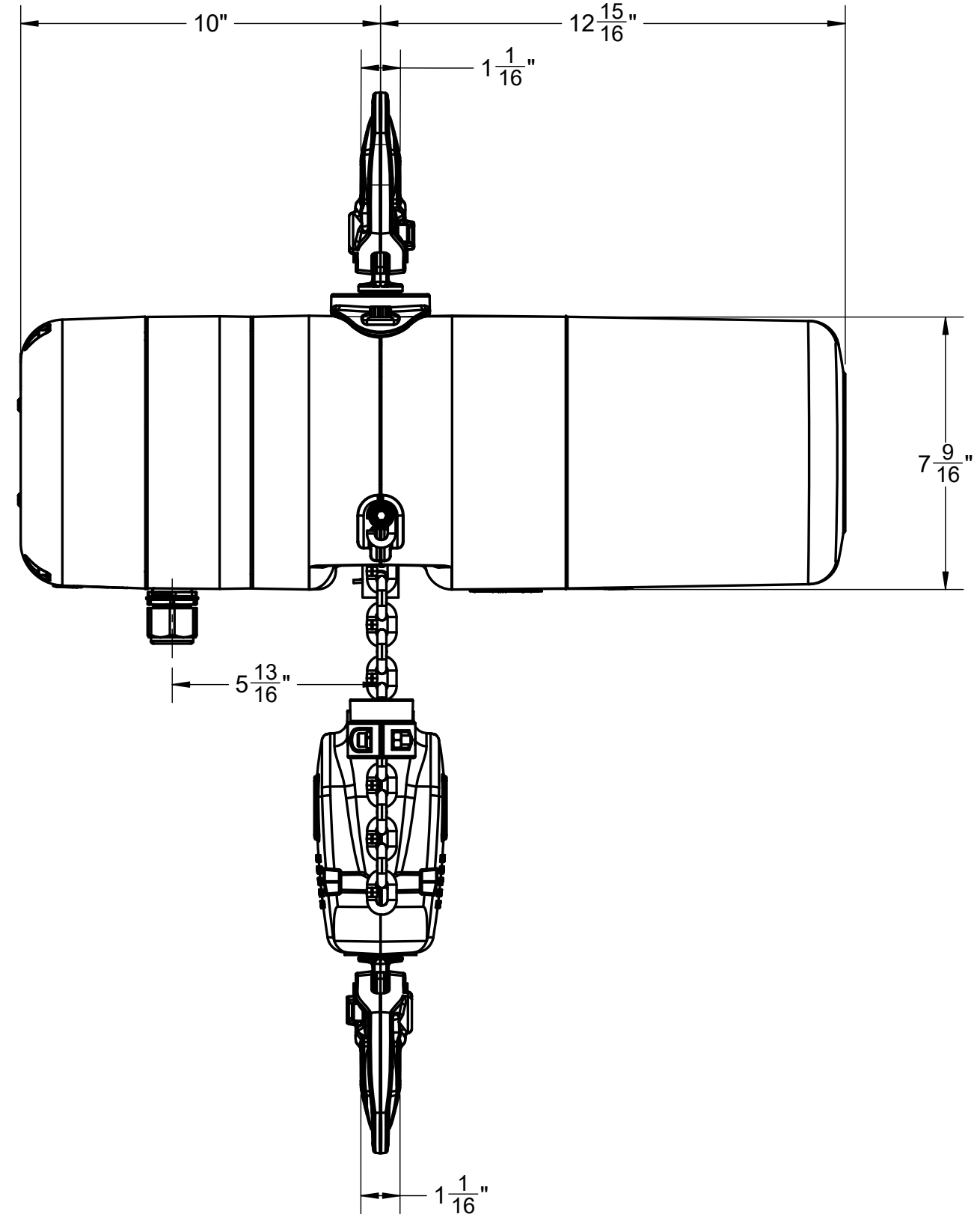
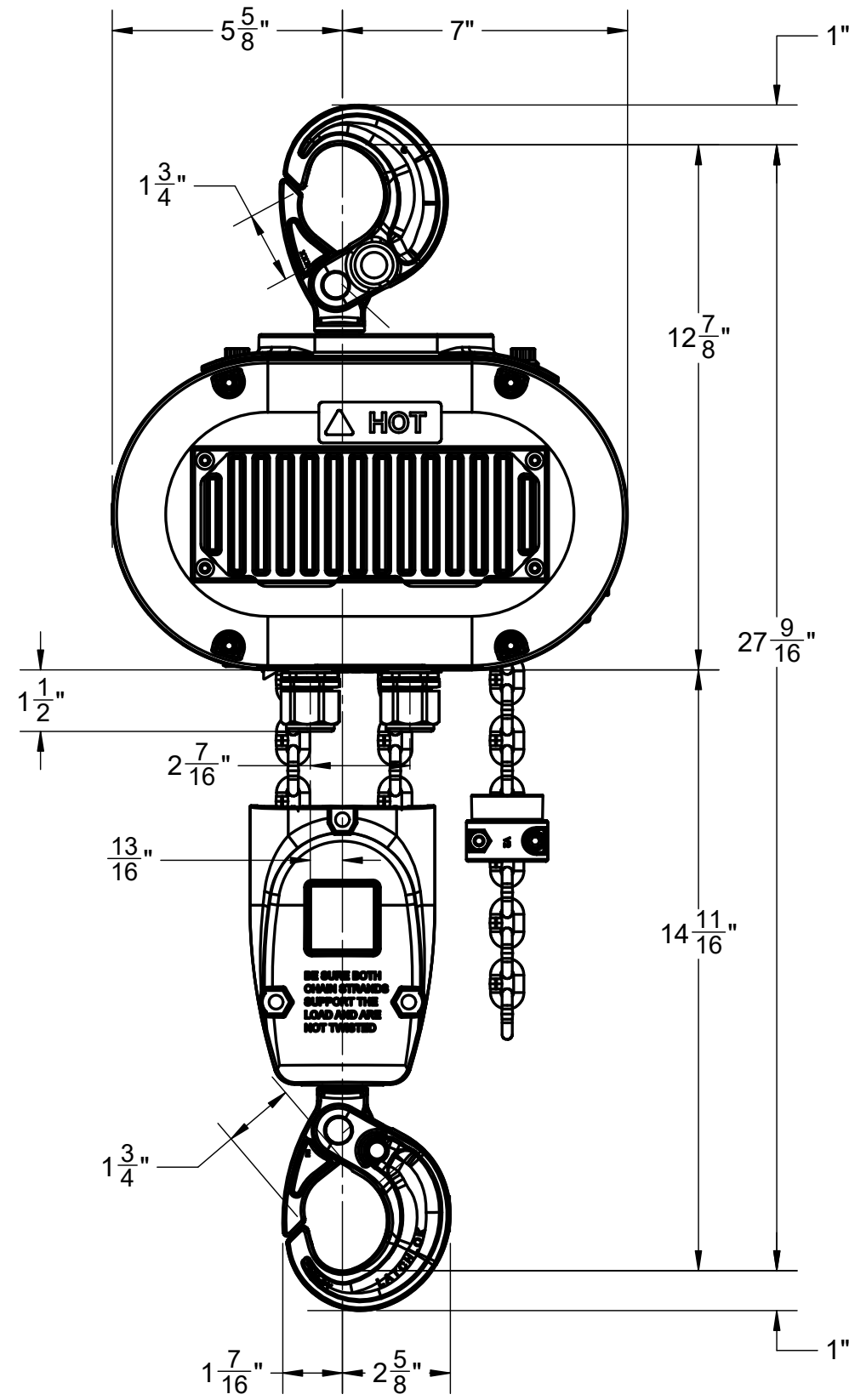
NOTICE TO PERSONS RECEIVING THIS DRAWING AND/OR TECHNICAL INFORMATION  
 Columbus McKinnon Corporation (CMCO) claims proprietary rights in the material disclosed herein. This drawing and/or technical information is issued in confidence and is the property of CMCO. It is to be used only for the specific purpose for which it was prepared and is not to be used for any other purpose without the express written permission of CMCO. The design and/or technical information is loaned for mutual assistance and is subject to recall by CMCO at any time. This drawing and/or technical information is the property of CMCO.

Standard Dimensional Tolerances Unless Otherwise Specified		Dimensional Units INCH	
	0" to .60"	Over .60"	
X	± .020	± .025	 Third Angle Projection
XX	± .010	± .015	
XXX	± .005	± .010	
Ang	± 0°30'	± 0°30'	

**Columbus McKinnon Corporation**  
 Hoist & Rigging - Americas  
 Amherst, NY USA  
**COLUMBUS MCKINNON CORPORATION**

Material:		Description:	
Standard:		<b>LODESTAR VS-V2, MODELS R</b>	
Material No:		DOUBLE REEVED, LATCH TYPE HKS	
Modeled:	10/01/2018	DPMDM	
Drawn:	10/01/2018	DPMDM	
Approved:	10/01/2018	DPMDM	
Design Authority:	Damascus	Format	Number:
Original project:	Hoist PDE	<b>C</b>	<b>33374215</b>
Original scale:	1:4		Sheet 1/1

ECN	Rev.	Description of change	Date	By
-	-	-	-	-
-	-	-	-	-
-	-	-	-	-

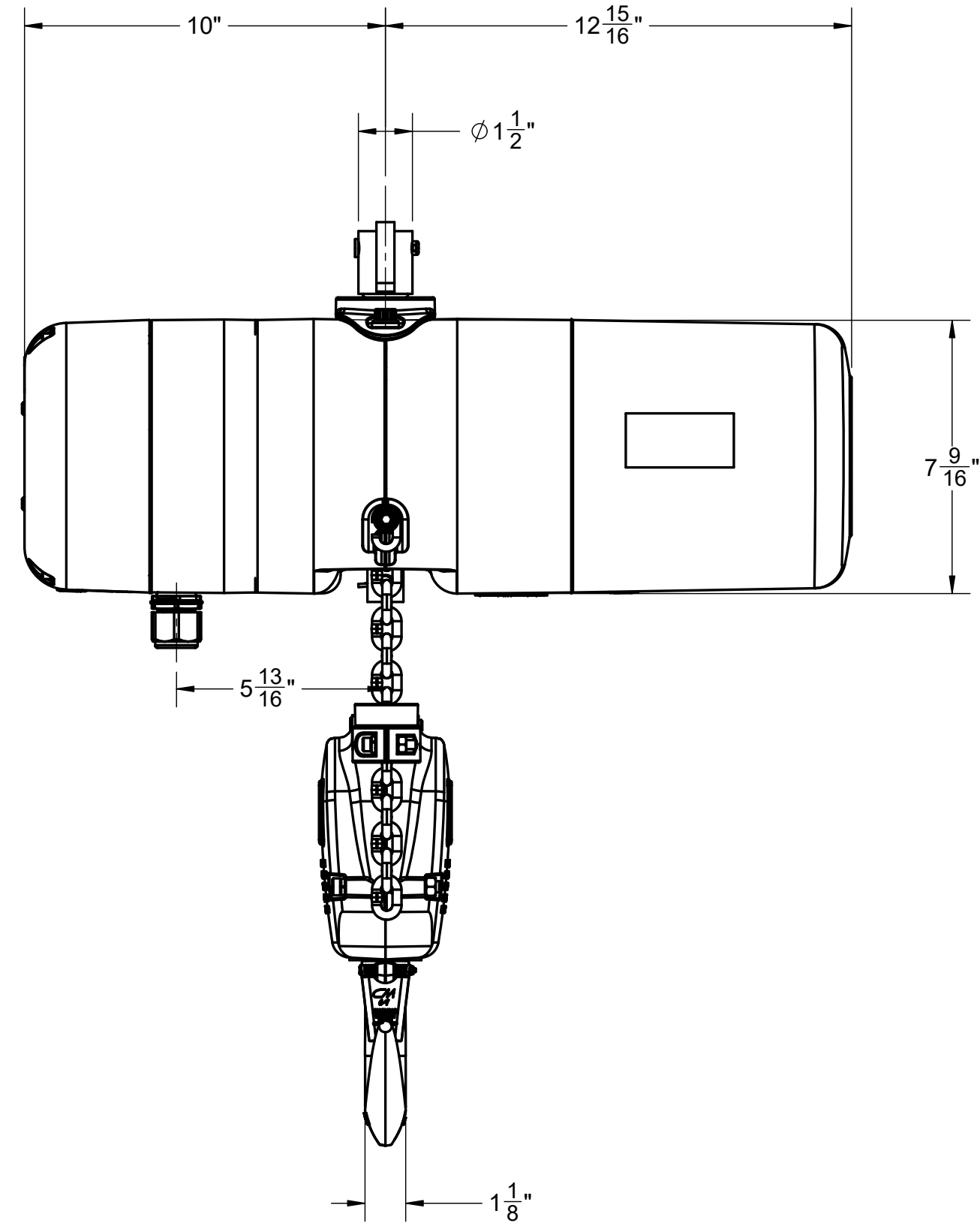
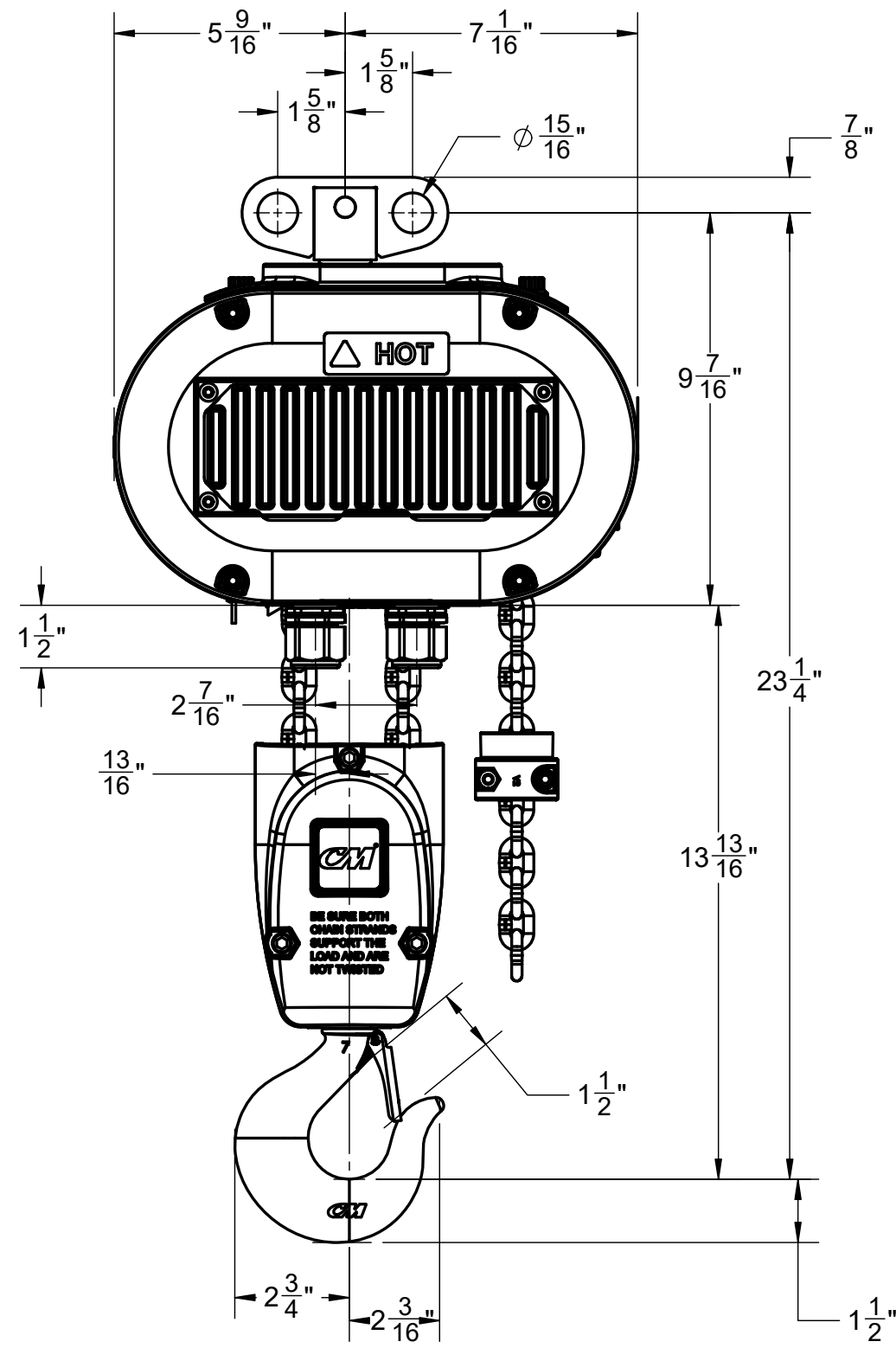


NOTICE TO PERSONS RECEIVING THIS DRAWING AND/OR TECHNICAL INFORMATION  
 Columbus McKinnon Corporation (CMCO) claims proprietary rights in the material disclosed herein. This drawing and/or technical information is issued in confidence and is not to be used, copied, reproduced, or otherwise disseminated without the express written permission of CMCO. Any information used to manufacture any part or assembly shown or referred to herein is the property of CMCO and is subject to recall by CMCO at any time. This drawing and/or technical information is the property of CMCO.

Standard Dimensional Tolerances Unless Otherwise Specified		Dimensional Units INCH	
	10' to 60'	Over 60'	
X	± .020	± .025	 Third Angle Projection
XX	± .010	± .015	
XXX	± .005	± .010	
Ang	± 0'30"	± 0'30"	

**Columbus McKinnon Corporation**  
 Hoist & Rigging - Americas  
 Amherst, NY USA  
**COLUMBUS MCKINNON CORPORATION**

Material:		Description:	<b>LODESTAR VS-V2, MODELS R</b>
Standard:			<b>DOUBLE REEVED, LATCHLOK LWR HK</b>
Material No:		Format:	C
Modeled:	10/01/2018 DPMDM	Number:	<b>33374218</b>
Drawn:	10/01/2018 DPMDM	Original project:	Hoist PDE
Approved:	10/01/2018 DPMDM	Original scale:	1:4
Design Authority:	Damascus		
ECN	Rev.	Description of change	Date By



NOTICE TO PERSONS RECEIVING THIS DRAWING AND/OR TECHNICAL INFORMATION  
 Columbus McKinnon Corporation (CMCO) claims proprietary rights in the material disclosed herein. This drawing and/or technical information is issued in confidence and is not to be reproduced, stored in a retrieval system, or transmitted in any form or by any means, electronic, mechanical, photocopying, recording, or otherwise, without the prior written permission of CMCO. The design and/or technical information is the property of CMCO. This drawing and/or technical information is subject to recall by CMCO at any time.

Standard Dimensional Tolerances Unless Otherwise Specified		Dimensional Units INCH	
	0" to .60"	Over .60"	
X	± .020	± .025	 Third Angle Projection
XX	± .010	± .015	
XXX	± .005	± .010	
Ang	± 0°30'	± 0°30'	

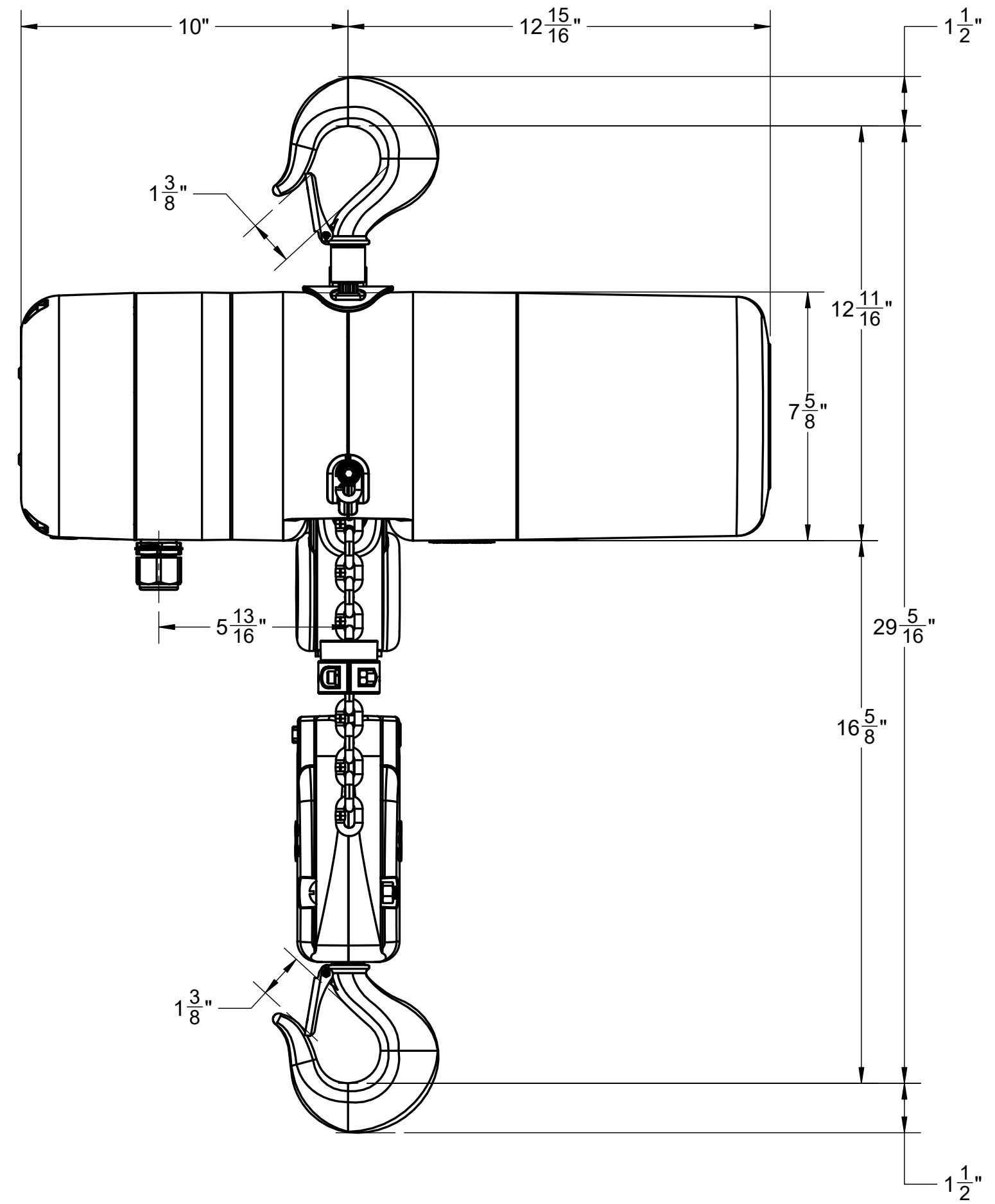
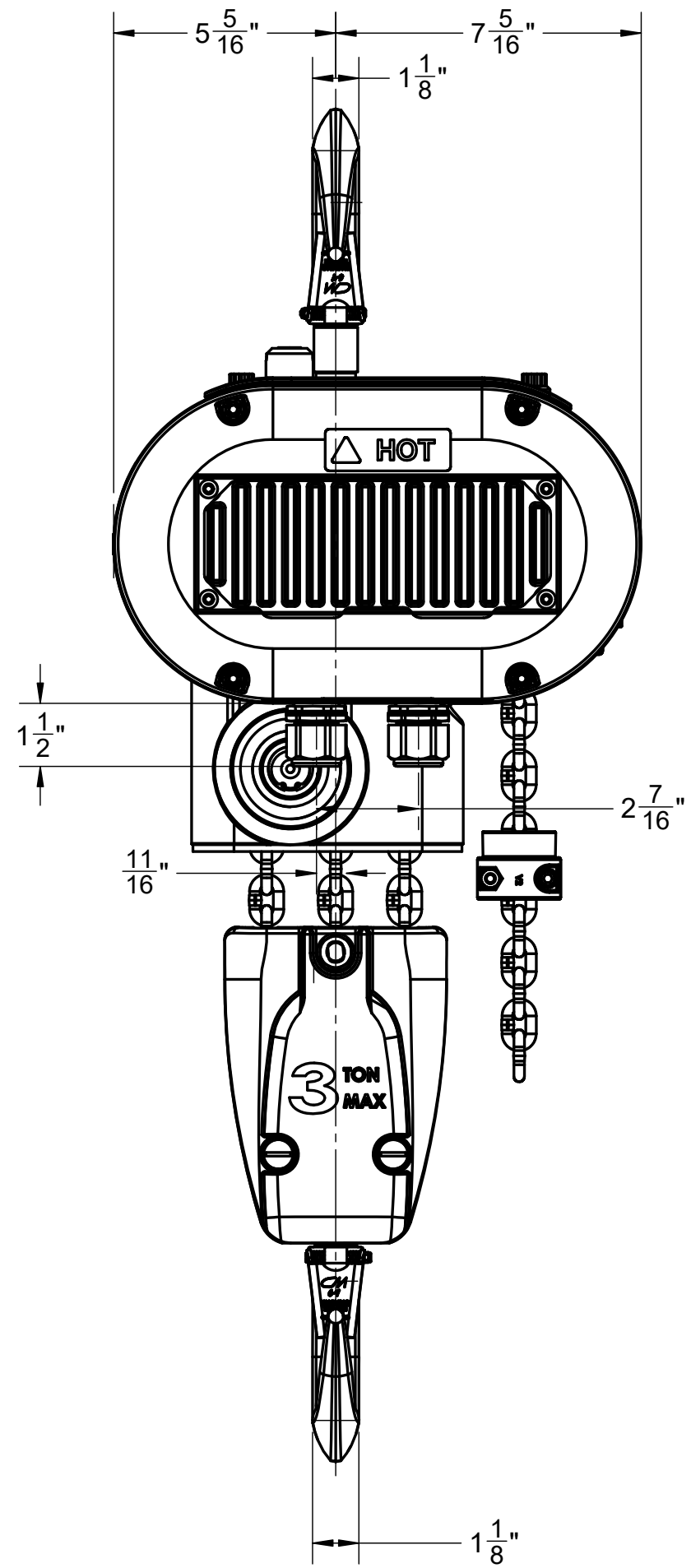
**Columbus McKinnon Corporation**  
 Hoist & Rigging - Americas  
 Amherst, NY USA  
 COLUMBUS MCKINNON CORPORATION

Material: \_\_\_\_\_  
 Standard: \_\_\_\_\_  
 Material No: \_\_\_\_\_  
 Modeled: 10/01/2018 DPMDM  
 Drawn: 10/01/2018 DPMDM  
 Approved: 10/01/2018 DPMDM  
 Design Authority: Damascus  
 Original project: Hoist PDE  
 Original scale: 1:4

Description:  
**LODESTAR VS-V2, MODELS R**  
**DOUBLE REEVED**  
**UT LUG, LATCH TYPE LOWER HOOK**

ECN	Rev.	Description of change	Date	By	Original scale:	Format	Number:	Sheet
-	-	-	-	-	-	C	33374221	1/1





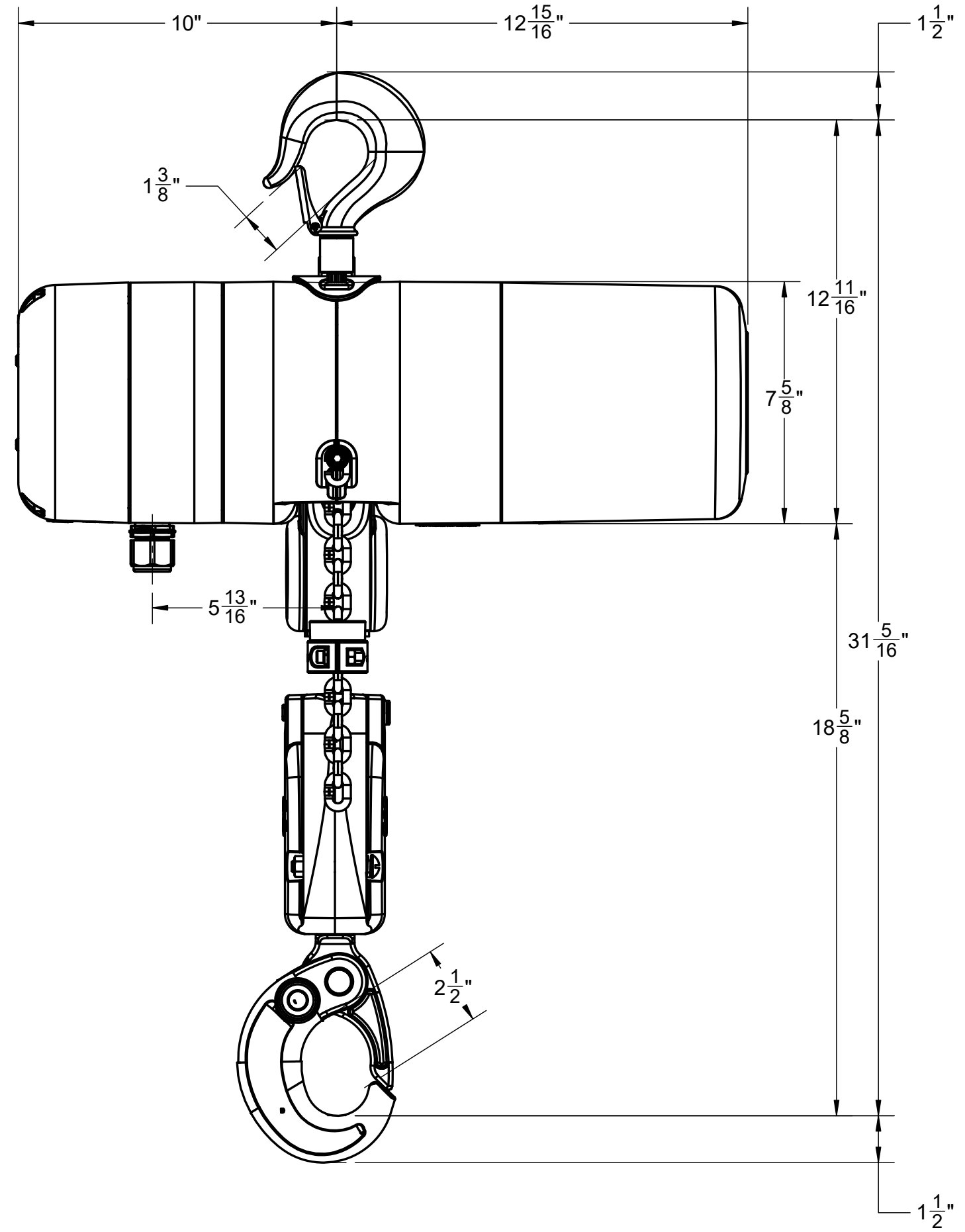
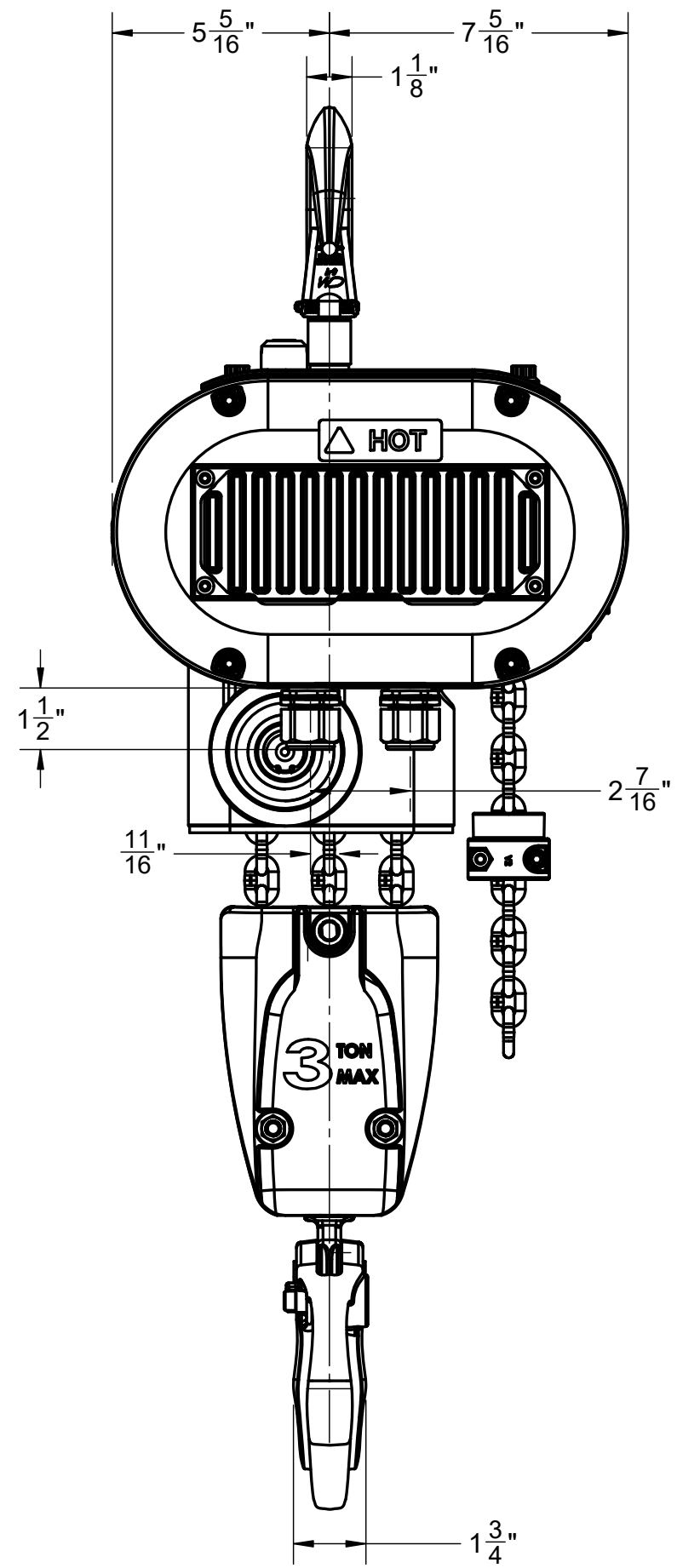
NOTICE TO PERSONS RECEIVING THIS DRAWING AND/OR TECHNICAL INFORMATION  
 Columbus McKinnon Corporation (CMCO) claims proprietary rights in the material disclosed herein. This drawing and/or technical information is issued in confidence for engineering information only and may not be reproduced or used to manufacture anything shown or referred to hereon without direct permission from CMCO to the user. This drawing and/or technical information is loaned for mutual assistance and is subject to recall by CMCO at any time. This drawing and/or technical information is the property of CMCO.

Standard Dimensional Tolerances Unless Otherwise Specified		Dimensional Units INCH	
	0" to .625"	Over .625"	
X	± .020	± .025	Third Angle Projection
XX	± .010	± .015	
XXX	± .005	± .010	
Ang	± 0°30'	± 0°30'	

**Columbus McKinnon Corporation**  
 Hoist & Rigging - Americas  
 Amherst, NY USA  
**COLUMBUS MCKINNON CORPORATION**

Material:		Description:	<b>LODESTAR VS-V2, MODELS RT</b>
Standard:			<b>TRIPLE REEVED, LATCH TYPE HKS</b>
Material No.:			
Modeled:	10/01/2018	DPMDM	
Drawn:	10/01/2018	DPMDM	
Approved:	10/01/2018	DPMDM	
Design Authority:	Damascus	Format	Number:
Original project:	Hoist PDE	<b>C</b>	<b>33374216</b>
Original scale:	1:4		Sheet 1/1

ECN	Rev.	Description of change	Date	By
-	-	-	-	-
-	-	-	-	-
-	-	-	-	-



NOTICE TO PERSONS RECEIVING THIS DRAWING AND/OR TECHNICAL INFORMATION  
 Columbus McKinnon Corporation (CMCO) claims proprietary rights in the material disclosed herein. This drawing and/or technical information is issued in confidence and is not to be used, copied, or reproduced in any form without the express written permission of CMCO. Any information used to manufacture and/or assemble any part of the equipment shown on this drawing and/or technical information is the property of CMCO. This drawing and/or technical information is the property of CMCO.

Standard Dimensional Tolerances Unless Otherwise Specified		Dimensional Units INCH	
	1° to 60°	Over 60°	
X	± .020	± .025	 Third Angle Projection
XX	± .010	± .015	
XXX	± .005	± .010	
Ang	± 0°30'	± 0°30'	

**Columbus McKinnon Corporation**  
 Hoist & Rigging - Americas  
 Amherst, NY USA  
**COLUMBUS MCKINNON CORPORATION**

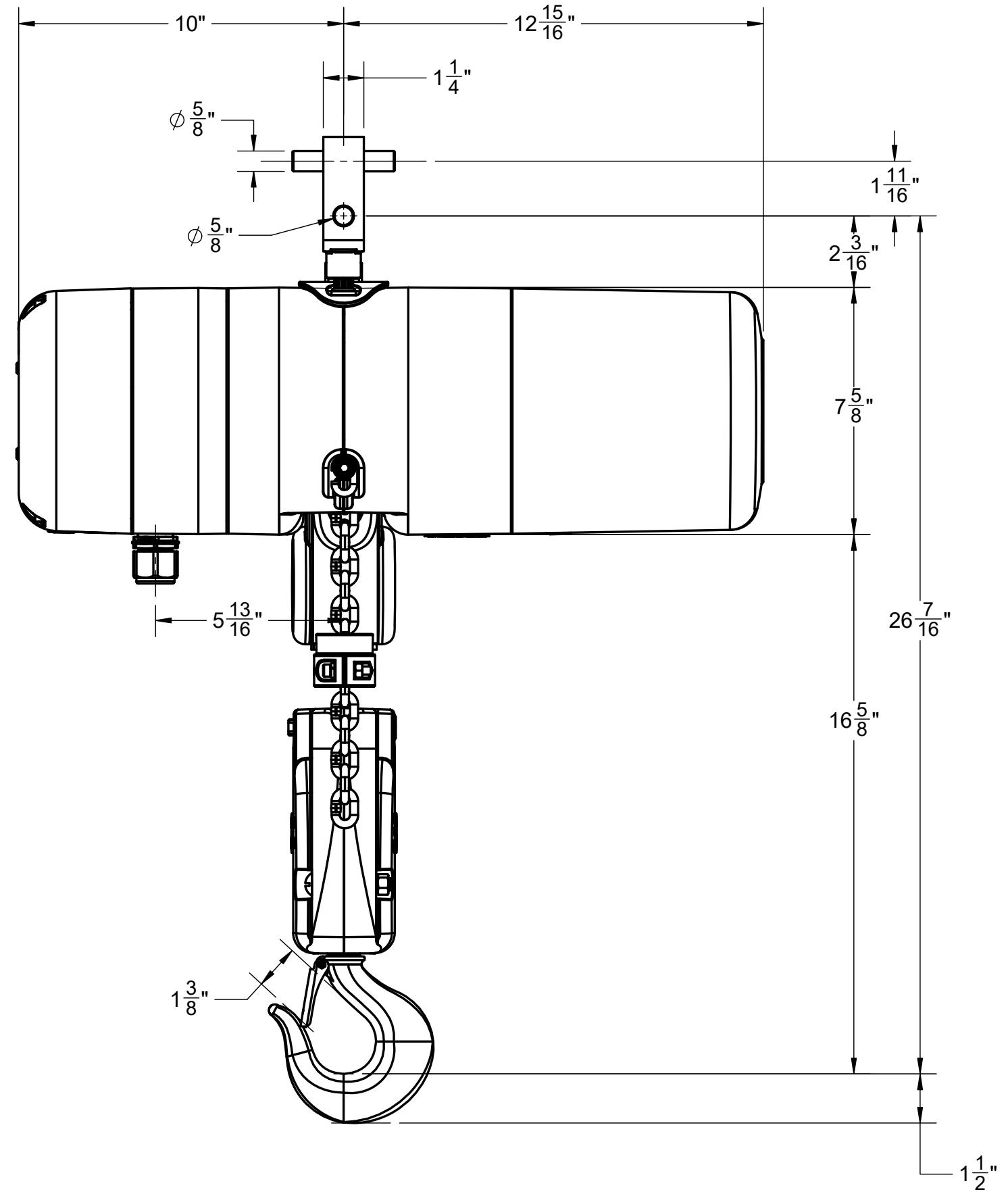
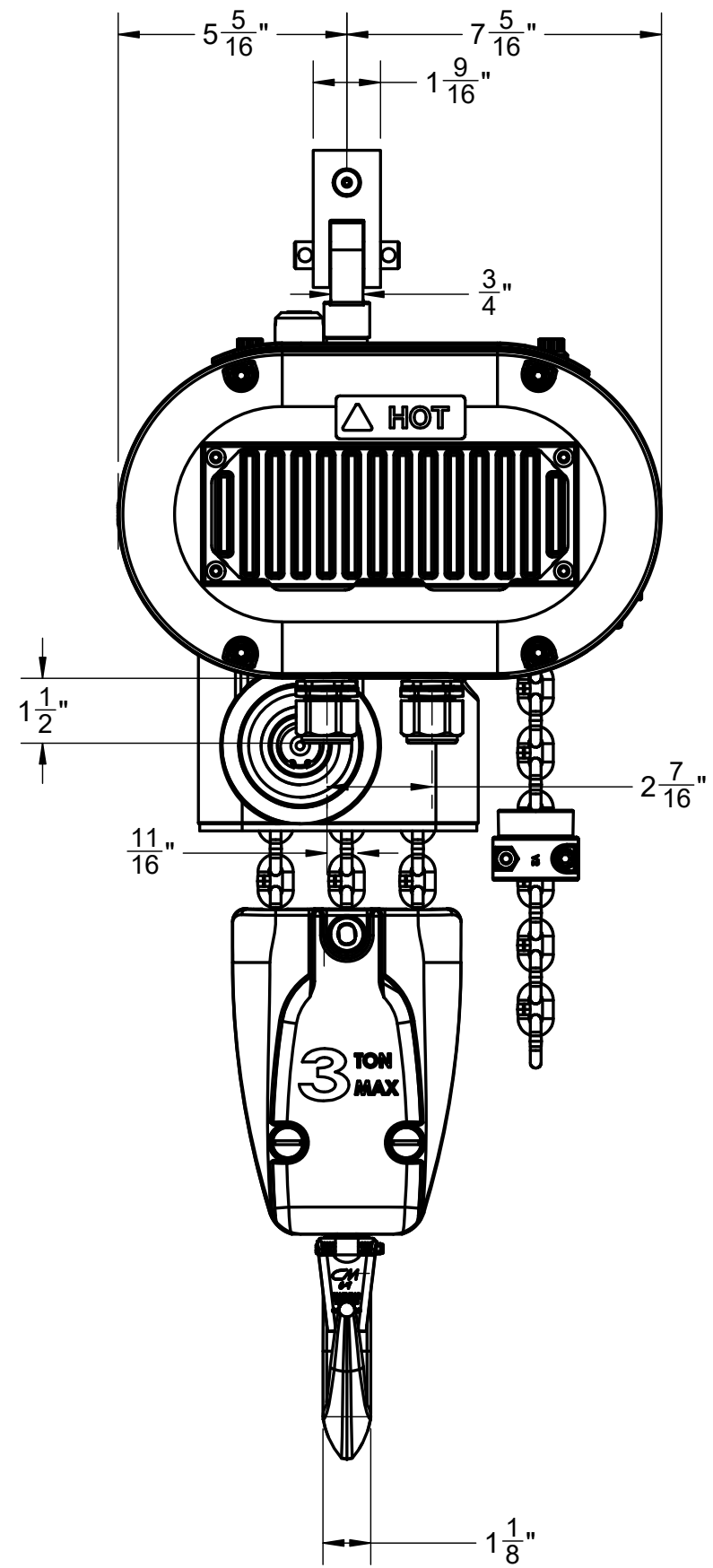
Description:  
**LODESTAR VS-V2, MODELS RT**  
**TRIPLE REEVED, LATCHLOK LWR HK**

ECN	Rev.	Description of change	Date	By
-	-	-	-	-
-	-	-	-	-
-	-	-	-	-

Material:	
Standard:	
Material No.:	
Modeled:	10/01/2018 DPMDM
Drawn:	10/01/2018 DPMDM
Approved:	10/01/2018 DPMDM
Design Authority:	Damascus
Original project:	Hoist PDE
Original scale:	1:4

Format	Number:	Sheet
<b>C</b>	<b>33374219</b>	<b>1/1</b>





NOTICE TO PERSONS RECEIVING THIS DRAWING AND/OR TECHNICAL INFORMATION  
 Columbus McKinnon Corporation (CMCO) claims proprietary rights in the material disclosed herein. This drawing and/or technical information is issued in confidence and is not to be distributed, copied, reproduced, or used in any manner without the express written permission of CMCO. Any unauthorized use or disclosure of this information is prohibited. CMCO is not responsible for any errors or omissions in this drawing and/or technical information. This drawing and/or technical information is the property of CMCO.

Standard Dimensional Tolerances Unless Otherwise Specified		Dimensional Units INCH	
	0" to .60"	Over .60"	
X	± .020	± .025	 Third Angle Projection
XX	± .010	± .015	
XXX	± .005	± .010	
Ang	± 0°30'	± 0°30'	

**Columbus McKinnon Corporation**  
 Hoist & Rigging - Americas  
 Amherst, NY USA  
**COLUMBUS MCKINNON CORPORATION**

Material:		Description:	<b>LODESTAR VS-V2, MODELS RT</b>
Standard:			<b>TRIPLE REEVED</b>
Material No:			<b>LUG, LATCH TYPE LOWER HOOK</b>
Modeled:	10/01/2018	DPMDM	
Drawn:	10/01/2018	DPMDM	
Approved:	10/01/2018	DPMDM	
Design Authority:	Damascus	Format	Number:
Original project:	Hoist PDE	<b>C</b>	<b>33374225</b>
Original scale:	1:4		Sheet 1/1

ECN	Rev.	Description of change	Date	By
-	-	-	-	-
-	-	-	-	-
-	-	-	-	-