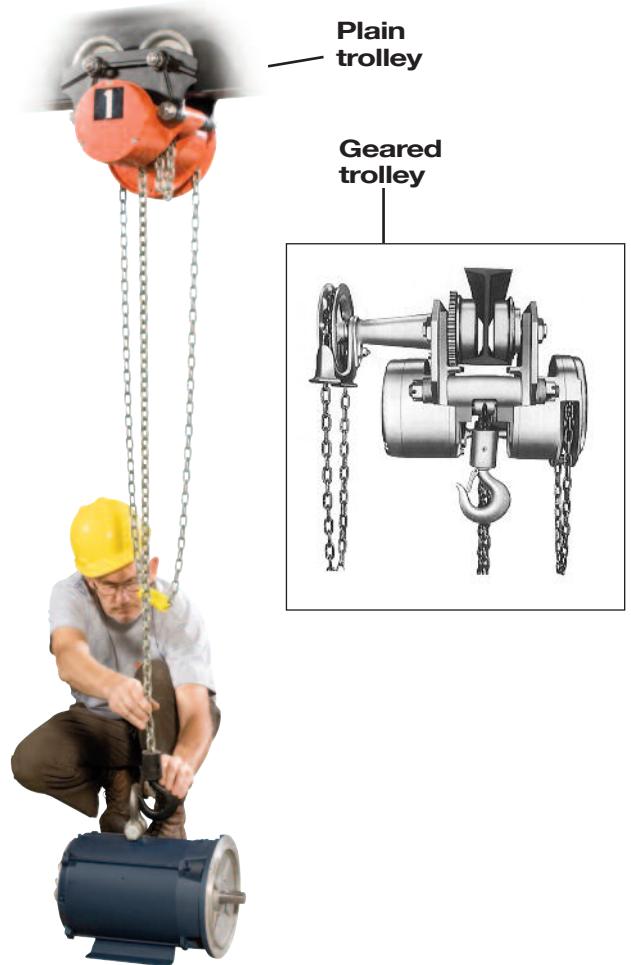


Cyclone trolley hoist for low headroom

Cyclone and trolley all in one unit for low headroom applications features:

- Crowned tread and flanged wheels to minimize rolling friction
- Simple, efficient design
- Reduced headroom, side clearances and end approach for easy maneuvering of loads in tight places
- Plain trolley mounts in capacities from 1/2 to 6 tons
- Geared trolley mounts in capacities from 1 1/2 to 6 tons
- Standard hand chain drop 2 feet less than lift (example: 8 foot lift hoist has 6 foot hand chain drop)
- Chain containers, zinc-plated load and hand chain, aluminum unwelded hand chain, Latchlok hooks, bronze hooks, bullard hooks, larger beam trolleys, trolley guards and units without Load Limiter optional, depending on capacity
- Standard Load Limiter/automatic overload protection
- Lifetime warranty
- Metric rated
- Made in U.S.A.



Specifications

Rated capacity* (tons)	Product code		Std. lift (ft.)	Reeving	American standard depth (in.)††	Beam adjustment ranges flange width (in.)††	Chain pull to lift full load (lbs.)	Chain overhauled to lift load one foot (ft.)	Min. headroom (in.)	Min. radius curve (in.)	Shipping weight (lbs.)	
	Plain trolley	Geared trolley									Plain trolley	Geared trolley
1/2	4832	—	10	1	6-12**†	3 ³ / ₈ -5	46	22 ¹ / ₂	8 ⁷ / ₈	36	91	—
1	4834	—	10	1	6-12**†	3 ³ / ₈ -5	69	30	9 ¹ / ₄	36	96	—
1 1/2	4835	4925	10	1	7-15**†	3 ⁵ / ₈ -5 ¹ / ₂	80	40 ¹ / ₂	12 ¹ / ₂	48	190	214
2	4836	4926	10	1	7-15†	3 ⁵ / ₈ -5 ¹ / ₂	83	52	12 ¹ / ₂	48	190	220
3	4837	4927	10	2	7-15†	3 ⁵ / ₈ -5 ¹ / ₂	85	81	14 ¹ / ₈	48	210	240
4	4838	4928	10	2	8-24†	4-7	88	104	16 ³ / ₄	96	315	379
5	4839	4929	10	3	8-24†	4-7	75	156	18 ¹ / ₄	96	338	360
6	4840	4930	10	3	8-24†	4-7	90	156	18 ³ / ₄	96	387	357

** 1/2 and 1 ton also available for 4" and 5" S-beam, and 1 1/2 and 2 ton for 6" S-beam without extra charge

† Universal tread trackwheels designed to operate on either sloped or flat flange beams, rails, or tracks Also can be used on flat flange beams within the same range of flange widths, provided beam depth will accommodate wheel diameter (check clearance diagram)

†† Applies to minimum size S-beam within adjustability range

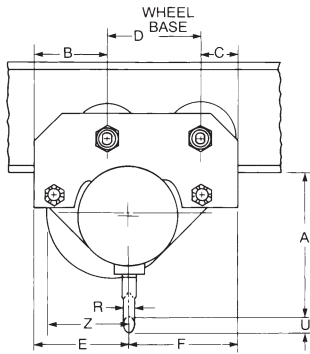
*WARNING

Overloading and improper use can result in injury.

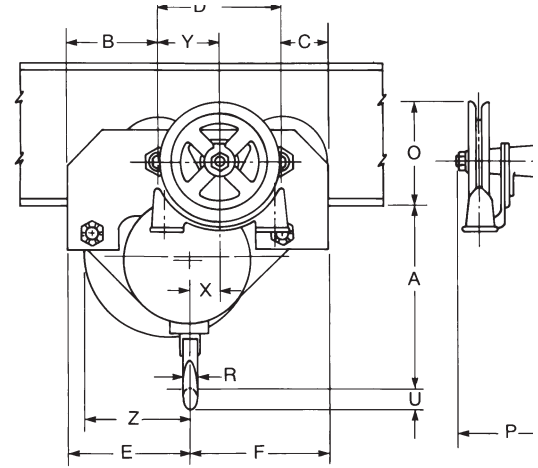
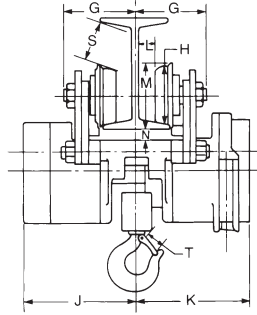
To avoid injury:

- Do not exceed working load limit, load rating capacity
- Do not use to lift people or loads over people.
- use only alloy chain for overhead lifting.
- Read and follow all instructions.

Cyclone trolley hoist for low headroom-Specifications



Plain trolley



Geared trolley

Clearance dimensions (in.)

Dimension	Rated capacity* (tons)						
	1/2	1	1 1/2 & 2	3	4	5	6
A	8 7/8	9 1/4	12 1/2	14 1/8	16 3/4	18 1/4	18 3/4
B	3 5/8	3 5/8	6	6	7 3/8	7 3/8	7 3/8
C	3 5/8	3 5/8	3 1/8	3 1/8	4	4	4
D	6 1/2	6 1/2	7 3/4	7 3/4	9	9	9
E	6 7/8	6 3/4	7 5/8	10 1/2	11	11 7/8	11 7/8
F	6 3/4	6 7/8	9 1/4	6 3/8	9 3/8	8 1/2	8 1/2
G	3 3/4	3 3/4	5 1/8	5 1/8	5 7/8	5 7/8	5 7/8
H	4 3/4	4 3/4	4 5/8	4 5/8	5 7/8	5 7/8	5 7/8
J	6	6	9 5/16	9 5/16	10 9/16	10 9/16	10 9/16
K	8 1/8	8 1/8	9 5/8	9 5/8	11	11	11
L	1/2	1/2	1/2	1/2	1/2	1/2	1/2
M	5 7/16	5 7/16	5 3/8	5 3/8	6 3/4	6 3/4	6 3/4
N	1	1	1	1	1 1/8	1 1/8	1 1/8
O	—	—	6 3/4	6 3/4	6 1/2	6 1/2	6 1/2
P	—	—	4 7/8	4 7/8	4 1/4	4 1/4	4 1/4
R	1 1/16	1 3/16	1 1/8	1 1/4	1 1/4	1 1/4	1 3/8
S	5/16	5/16	1 3/8	1 3/8	1 1/16	1 1/16	1 1/16
T	1 1/32	1 1/8	1 5/16	1 5/8	1 5/8	1 5/8	1 3/4
U	1 5/16	1 1/8	1 1/2	1 11/16	1 11/16	1 11/16	1 7/8
W	—	—	5 5/8	5 5/8	7	7	7
X	—	—	2 1/4	5/8	7/8	—	—
Y	—	—	3 7/8	3 7/8	4 1/2	4 1/2	4 1/2
Z	7 3/8	7 1/4	6 5/8	9 1/2	9 1/2	10 3/8	10 3/8

Note: Dimensions G, L, M, O, P, S & W are shown for minimum S-beam and increase proportionally for larger beams. Dimension N is shown for minimum S-beam and decreases proportionally for larger beams.

Cyclone Fabric Chain Bags



Cyclone, Army type and low headroom trolley hoist optional fabric chain bags

Product code		Rated capacity* (tons)	Maximum length of lift (ft.)	Bag diameter (in.)	Bag length (in.)	Approx. weight (lbs.)
Cyclone and Army type	Low headroom trolley hoist					
2482	2493	1/4-1/2	18	7	7 1/2 x 7 1/2	3
2483	2488	1/4-1/2	18.1-36	10	7 1/2 x 7 1/2	3
2484	2495	1/4-1/2	36.1-54	13	7 1/2 x 7 1/2	3
2485	2496	1/4-1/2	54.1-78	16	7 1/2 x 7 1/2	4
2486	2497	1/4-1/2	78.1-93	18	7 1/2 x 7 1/2	4
2487	2498	1/4-1/2	93.1-129	20	7 1/2 x 7 1/2	4
2482	2493	1	11	7	7 1/2 x 7 1/2	3
2483	2494	1	11.1-24	10	7 1/2 x 7 1/2	3
2484	2495	1	24.1-37	13	7 1/2 x 7 1/2	3
2485	2496	1	37.1-55	16	7 1/2 x 7 1/2	4
2486	2497	1	55.1-66	18	7 1/2 x 7 1/2	4
2487	2498	1	66.1-92	20	7 1/2 x 7 1/2	4
2488	2488	1 1/2-2	13	10	7 1/2 x 7 1/2	3
2489	2489	1 1/2-2	13.1-20	13	7 1/2 x 7 1/2	3
2490	2490	1 1/2-2	20.1-29	16	7 1/2 x 7 1/2	4
2491	2491	1 1/2-2	29.1-35	18	7 1/2 x 7 1/2	4
2492	2492	1 1/2-2	35.1-49	20	7 1/2 x 7 1/2	4
2489	2489	3-4	10	13	7 1/2 x 7 1/2	3
2490	2490	3-4	10.1-15	16	7 1/2 x 7 1/2	4
2491	2491	3-4	15.1-18	18	7 1/2 x 7 1/2	4
2492	2492	3-4	18.1-25	20	7 1/2 x 7 1/2	4
2490	2490	5-6	10	16	7 1/2 x 7 1/2	4
2491	2491	5-6	10.2-12	18	7 1/2 x 7 1/2	4
2492	2492	5-6	12.1-17	20	7 1/2 x 7 1/2	4
2491	2491	8	8	18	7 1/2 x 7 1/2	4
2492	2492	8	8.1-12	20	7 1/2 x 7 1/2	4
2492	2492	10	10	20	7 1/2 x 7 1/2	4



Cyclone Chain Containers

Cyclone, Army type and low headroom trolley hoist optional metal chain containers

Product code		Rated capacity* (tons)	Maximum length of lift (ft.)	Bucket length (in.)	Bucket diameter (in.)	Approximate weight (lbs.)
Cyclone and Army type	Low headroom trolley hoist					
4603S-373S	4614S-329S	1/4-1/2	9	8	5	3
4603S-373S	4614S-330S	1/4-1/2	9.1-18	11	5	4
4603S-375S	4614S-331S	1/4-1/2	18.1-27	14	5	4
4603S-376S	4614S-332S	1/4-1/2	27.1-36	17	5	5
4603S-377S	4614S-333S	1/4-1/2	45	20	5	6
4603S-378S	4614S-334S	1/4-1/2	45.1-54	23	5	6
4603S-379S	4614S-335S	1/4-1/2	54.1-78	31	5	8
4603S-380S	4614S-336S	1/4-1/2	78.1-93	36	5	9
4603S-381S	4614S-337S	1/4-1/2	93.1-129	48	5	12
4063S-382S	4614S-339S	1	11	11	5	4
4603S-383S	4614S-340S	1	11.1-18	14	5	4
4603S-384S	4614S-341S	1	18.1-24	17	5	5
4603S-385S	4614S-342S	1	24.1-31	20	5	6
4603S-386S	4614S-343S	1	31.1-37	23	5	6
4603S-387S	4614S-344S	1	37.1-55	31	5	8
4603S-388S	4614S-345S	1	55.1-66	36	5	9
4603S-389S	4614S-346S	1	66.1-92	48	5	12
4603S-352S	4614S-352S	1 1/2-2	9	14	5	4
4603S-353S	4614S-353S	1 1/2-2	9.1-13	17	5	5
4603S-354S	4614S-354S	1 1/2-2	13.1-16	20	5	6
4603S-355S	4614S-355S	1 1/2-2	16.1-20	23	5	6
4603S-356S	4614S-356S	1 1/2-2	20.1-29	31	5	8
4603S-357S	4614S-357S	1 1/2-2	29.1-35	36	5	9
4603S-358S	4614S-358S	1 1/2-2	35.1-49	48	5	12
4603S-394S	—	3-4	8	20	5	6
4603S-360S	4614S-360S	3-4	10	23	5	6
4603S-361S	4614S-361S	3-4	10.1-15	31	5	8
4603S-362S	4614S-362S	3-4	15.1-18	36	5	9
4603S-363S	4614S-363S	3-4	18.1-25	48	5	12
4603S-367S	4614S-367S	5-6	10	31	5	8
4603S-368S	4614S-368S	5-6	10.1-12	36	5	9
4603S-369S	4614S-369S	5-6	12.1-17	48	5	12
4603S-395S	—	8	8	36	5	9
4603S-396S	—	8	8.1-12	48	5	12
4603S-397S	—	10	10	48	5	12