

**CM**<sup>®</sup>

**LODESTAR**<sup>®</sup>

**ELECTRIC CHAIN HOIST**



C O L U M B U S M c K I N N O N C O R P O R A T I O N

First introduced in 1955, the CM® Lodestar® was engineered to be the best electric chain hoist in the world. Developed through meticulous engineering and American manufacturing know-how, we weren't interested in building a hoist that merely performed, we wanted to create something extraordinary.

Lodestar – iconic in name and legendary in performance – is recognized as the standard in the overhead lifting industry. Generations of professional riggers have come to rely on the CM Lodestar for the most demanding and challenging applications. For this reason, we've never stopped reinventing and improving it to satisfy the needs of every customer – that's the cornerstone of how we do business and part of our commitment to excellence.

Made in the USA, the Lodestar features quiet operation, an environmentally friendly design, easy access to key components, high duty cycles, less maintenance and enhanced safety features. Every Lodestar is designed, built and tested to our exacting standards that not only meet, but surpass industry requirements.

Available as individual units, in hoist/trolley combinations, or as integral components of complete lifting systems, the Lodestar takes lifting to new heights for professionals in any industry.

With a history of unsurpassed performance and over a million units sold, the next generation of Lodestar continues this legacy.





# LODESTAR<sup>®</sup>

## ELECTRIC CHAIN HOIST

### 1/8 TO 3 TON CAPACITIES

Legendary in performance, the CM<sup>®</sup> Lodestar<sup>®</sup> electric chain hoist features quiet operation, an environmentally friendly design, easy access to components, high duty cycles, less maintenance and enhanced safety features.



#### BENEFITS & FEATURES

##### LESS MAINTENANCE & EASIER INSPECTION

- Brake location allows for quick access and easy inspection.
- Lifetime grease-lubricated Gear Box means no oil change out is required. Precision gears provide better wear and longer life.
- Clutch located outside the Gear Box allows for easy access which eliminates the need for complete disassembly and reduces downtime.

##### IMPROVED SERVICEABILITY

Easy access to the Clutch, Motor, Electrical Control Panel and Brake Assembly.

##### LONGER SERVICE LIFE

- Heavy-duty DC brake is designed for a long service life.
- Lifetime grease-lubricated Gear Box and helical gearing ensures better wear and smooth operation.
- Heavy-duty rated motor.

##### QUIETER OPERATION

80% reduction in sound pressure as compared to the classic Lodestar.

##### IMPROVED LOAD SAFETY

Clutch is located outside the load path, preventing slipping of the load in an overload condition when the brake is not powered.

##### IMPROVED CHAIN LIFE

5-Pocket Lift Wheel provides better chain and lift wheel engagement for smoother lifting and reduced vibration, equating to less wear and a longer chain life. Zinc plating protects chain from environmental conditions.

##### EASY ACCESS CONTROL PANEL

Finger-safe wiring and plug-and-play connectors on the Control Panel allow for quick voltage change, easy access to terminal strips and simple fuse installation.

##### ZINC-PLATED LOAD CHAIN

Designed and manufactured in the USA by Columbus McKinnon. Zinc-plated Star Grade load chain protects against corrosion.

##### EXCEEDS H4 REQUIREMENTS

Lodestar exceeds H4 requirements. Engineered for high duty cycles and the toughest applications.

##### ECO-FRIENDLY

Lifetime grease-lubricated Gear Box means no changing and disposing of hazardous oil. Documented RoHS compliance. Shipped in boxes made of recycled material.

##### METRIC RATED

##### CSA/US

National Recognized Testing Laboratory (NRTL)

##### LIFETIME WARRANTY

The industry's best warranty against manufacturing and material defects.

##### FABRIC CHAIN CONTAINER

Standard up to 20 ft. lift.

##### RIGID HOOK SUSPENSION

#### OPTIONAL FEATURES

##### DOUBLE DC BRAKE

Two independent-acting DC Brakes for redundant braking. Field Installation Kit available.

##### AC ELECTRIC BRAKE

VARIABLE SPEED DRIVE (VFD) OR TRADITIONAL 2-SPEED UNITS AVAILABLE

PRIMARY & SECONDARY TRANSFORMER FUSING

##### ROTATABLE LIMIT SWITCH

Designed for quick reset of limit position.

BLACK PHOSPHATE OR STAINLESS STEEL LOAD CHAIN

METAL & STAINLESS STEEL CHAIN CONTAINERS

## KEY COMPONENTS

Working together, these key components provide best-in-class performance for any application in a wide variety of industries.

NOTE: Components shown do not represent 2-ton, single-reeved models.

### LIFT WHEEL

The Lift Wheel's 5 pockets increase the engagement of the chain and lift wheel to provide smooth lifting with less vibration and reduced chain wear when properly maintained – ultimately extending the life of the chain.



### MOTOR

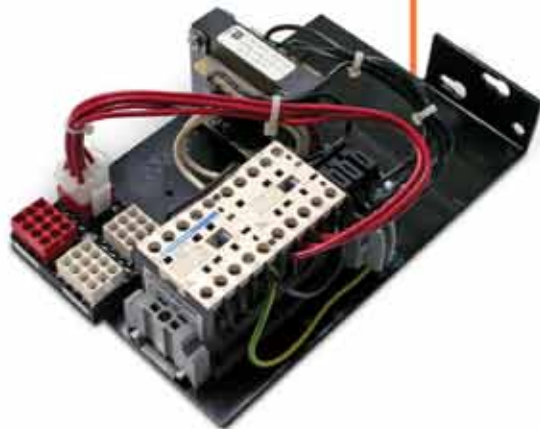
Both heavy duty and efficient, the Motor is designed to operate on power supplies worldwide. Standard Class F insulation and thermal motor protection.

### HOUSING

Cast aluminum, lightweight housing with acid-resistant, powder-coated finish for superior durability and protection against elements. Distinctive CM orange color allows for easy recognition after installation. The sealed drive shaft and standard weather-proofing gasket and seals provide the hoist with a NEMA 3R rating — suitable for outdoor use.

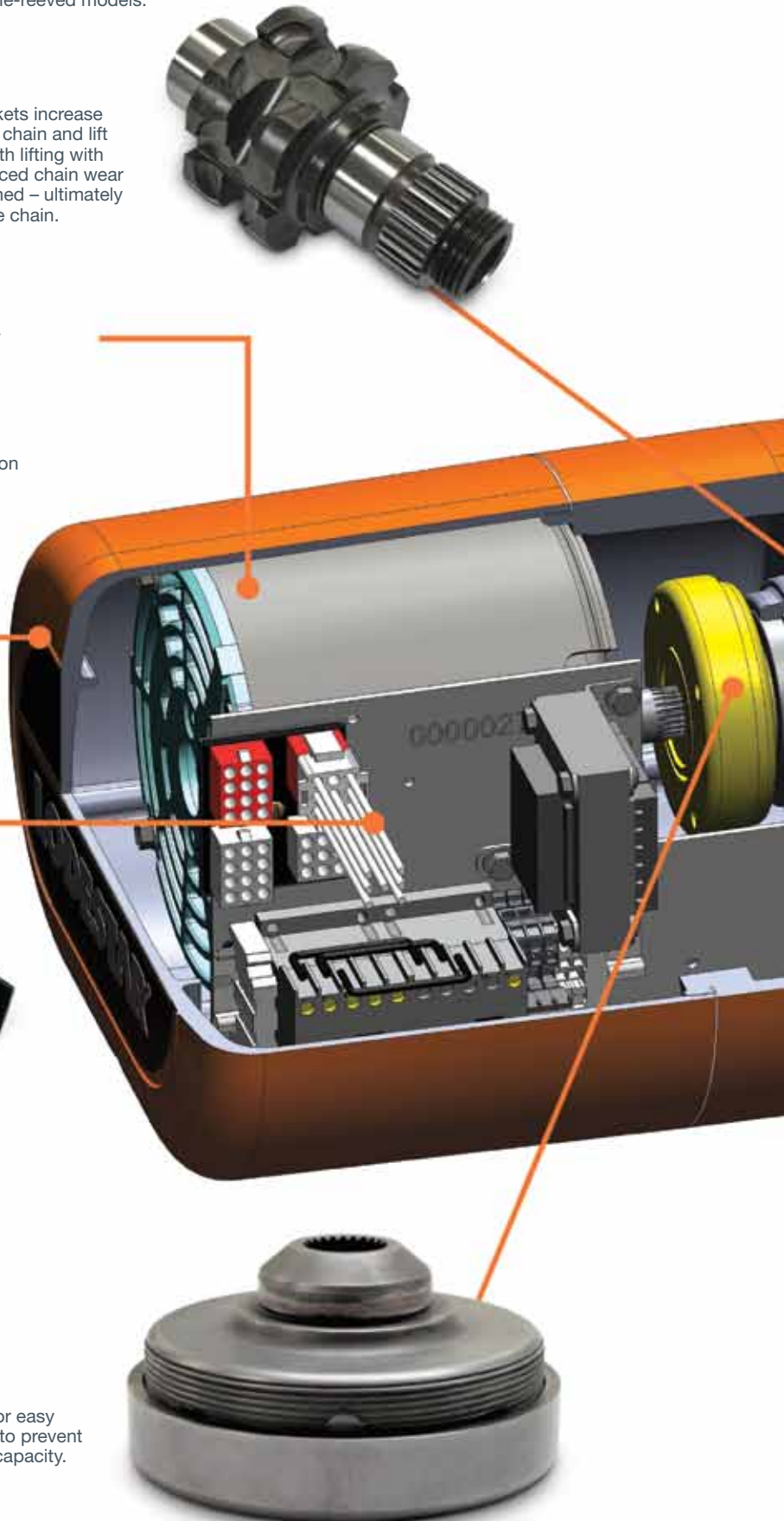
### CONTROL PANEL

Easy access to plug & play connectors allow for quick voltage change for dual voltage motors. Effortless fuse installation when required.

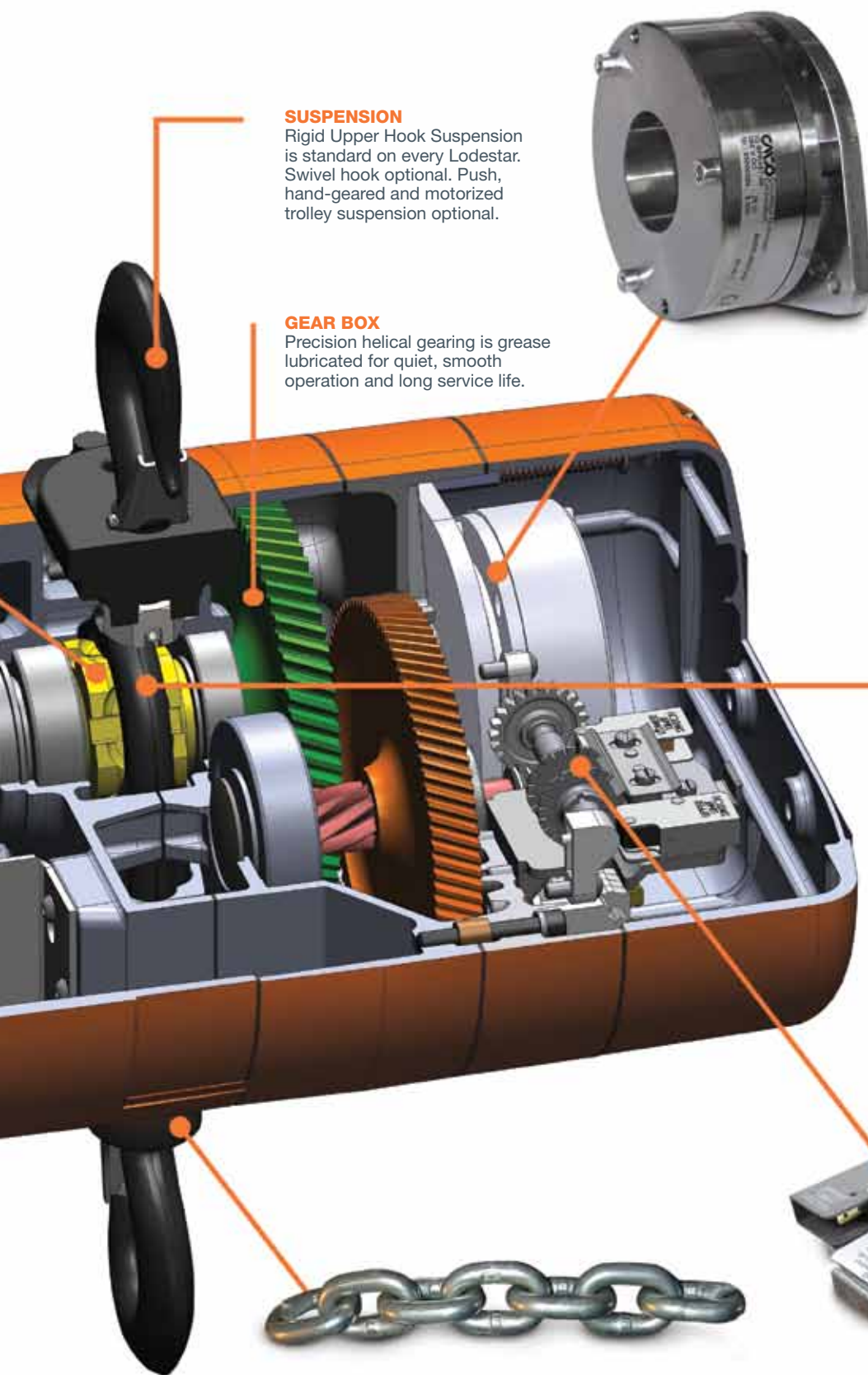


### CLUTCH

Located outside the gear box for easy access, the Clutch is designed to prevent lifting loads greater than rated capacity.







**SUSPENSION**

Rigid Upper Hook Suspension is standard on every Lodestar. Swivel hook optional. Push, hand-gear and motorized trolley suspension optional.

**GEAR BOX**

Precision helical gearing is grease lubricated for quiet, smooth operation and long service life.

**BRAKE**

Heavy-Duty DC Brake is standard. AC Brake and Double DC Brake are also available.



**INTERNAL CHAIN GUIDE**

The stamped steel Chain Guide, coated for corrosion resistance and quiet operation, keeps the load chain and liftwheel aligned during operation.



**LOAD CHAIN & HOOK**

Both the Hoistaloy® Load Chain and Forged Steel Hook are manufactured in the USA by Columbus McKinnon. This ensures full compatibility and the highest quality control standards are met at all times. Load Chain is zinc plated for protection against corrosion and is 100% proof tested.

**FABRIC CHAIN CONTAINER**

Standard on every Lodestar.



**LIMIT SWITCH**

Adjustable Screw Limit Switch that automatically stops the hook at any predetermined point when either lifting or lowering. Limits are field-configurable and can be adjusted to the specific application.



# LODESTAR<sup>®</sup>

## ELECTRIC CHAIN HOIST

### 2-TON, SINGLE-REEVED

The CM<sup>®</sup> Lodestar<sup>®</sup> is now available as an economical 2-ton, single-reeved unit that's ideal for a variety of industrial lifting applications.

And, because it's a single-reeved unit, the design prevents the lower hook block from capsizing and damaging the hoist.



#### BENEFITS & FEATURES

##### LESS MAINTENANCE & EASIER INSPECTION

- Brake location allows for quick access and easy inspection.
- Lifetime grease-lubricated Gear Box means no oil change is required.
- Clutch located outside the Gear Box allows for easy access which eliminates the need for complete disassembly and reduces downtime.

##### IMPROVED SERVICEABILITY

Easy access to the Clutch, Motor, Electrical Control Panel and Brake Assembly.

##### LONGER SERVICE LIFE

- Heavy-duty DC brake is designed for a long service life.
- Lifetime grease-lubricated Gear Box and helical gearing ensures better wear and smooth operation.
- Heavy-duty rated motors.

##### IMPROVED LOAD SAFETY

Clutch is located outside the load path, preventing slipping of the load in an overload condition when the brake is not powered.

##### IMPROVED CHAIN LIFE

5-Pocket Lift Wheel provides better chain and lift wheel engagement for smoother lifting and reduced vibration, equating to less wear and a longer chain life. Zinc plating protects chain from environmental conditions.

##### EASY ACCESS CONTROL PANEL

Finger-safe wiring and plug-and-play connectors on the Control Panel allow for quick voltage change, easy access to terminal strips and simple fuse installation.

##### ZINC-PLATED LOAD CHAIN

Designed and manufactured in the USA by Columbus McKinnon. 10-millimeter, zinc-plated Star Grade load chain protects against corrosion.

##### ADJUSTABLE LIMIT SWITCH

Easy-to-adjust screw limit switch automatically stops the hook at any predetermined point when either lifting or lowering, preventing overtravel.

##### OVERLOAD PROTECTOR

Helps prevent lifting of dangerous overloads.

##### METRIC RATED

##### LIFETIME WARRANTY

The industry's best warranty against manufacturing and material defects.

##### FABRIC CHAIN CONTAINER

Standard up to 20 ft lift.

##### RIGID HOOK SUSPENSION

#### OPTIONAL FEATURES

##### DOUBLE DC BRAKE

Two independent-acting DC Brakes for redundant braking. Field installation kit available.

##### VARIABLE SPEED DRIVE (VFD)

##### PRIMARY & SECONDARY TRANSFORMER FUSING

##### ROTATABLE LIMIT SWITCH

Designed for quick reset of limit position.

##### METAL CHAIN CONTAINERS





2-TON, SINGLE-REEVED MODEL  
SHOWN WITH A CM® UNIVERSAL  
MOTORIZED TROLLEY

## THE POWER OF INTELLIGENT LIFTING

Columbus McKinnon is one of the most respected and well-known names in the material handling industry. We combine two different yet complimentary areas of expertise – rigging products and hoists – to develop complete floor-to-ceiling lifting systems for even the most unique material handling applications.

Columbus McKinnon designs and manufactures a large portfolio of durable and reliable products for a variety of industries. Our portfolio includes powered and manual hoists, rigging products, below-the-hook attachments, cranes, enclosed track systems and specially engineered products.



## KNOW HOW. KNOW WHY. BE SAFE. GET TRAINED.

Not only is Columbus McKinnon a leader in material handling products, we are also a global leader in providing expertise and training on the proper use and inspection of rigging and overhead lifting equipment. With a range of comprehensive programs and seminars conducted at venues throughout North America, including our hands-on training centers and private companies, our courses include:

- Hoist Maintenance
- Safe Hoisting
- Rigging Gear Inspection
- Crane & Hoist Inspection
- Load Securement
- Crane Operator Training
- Rigging

One of our newest programs, **CMCO University™**, is a three-day course designed to give attendees an intimate knowledge of our products, the information they'll need to select the right product for the application, and the tools to win in the marketplace.

Classes are available at our state-of-the-art, hands-on training centers, including the **Niagara Training Center** and the **Hoist & Rigging Training Center of Excellence in the Center for Occupational Health and Automobile Manufacturing (COHAM) lab at The Ohio State University.**

Rely on Columbus McKinnon for the products and expertise you need to keep your workforce productive and safe.



For more information:  
 Phone: 800.888.0985 • 716.689.5400  
 Fax: 716.689.5644  
 www.cmworks.com

