

ASSEMBLY INSTRUCTIONS & PARTS MANUAL

**Heavy-Duty Reinforced High Capacity Shelving
72" Wide Units**

.....
RETAIN INSTRUCTIONS FOR FUTURE REFERENCE
.....



LOAD CAPACITIES PER SHELF LEVEL*	
UNIT SIZE	WT. CAPACITY
72w x 24d	2750 lbs.
72w x 36d	2750 lbs.

*Total Unit Capacity not to exceed 13,000 lbs.

Extra shelves are also available (RXHS-wwdd).

GENERAL SAFETY INFORMATION

Some parts may have sharp edges. CARE must be taken when handling various pieces to avoid injury.
For safety, wear a pair of work gloves when assembling or performing any maintenance on the unit.



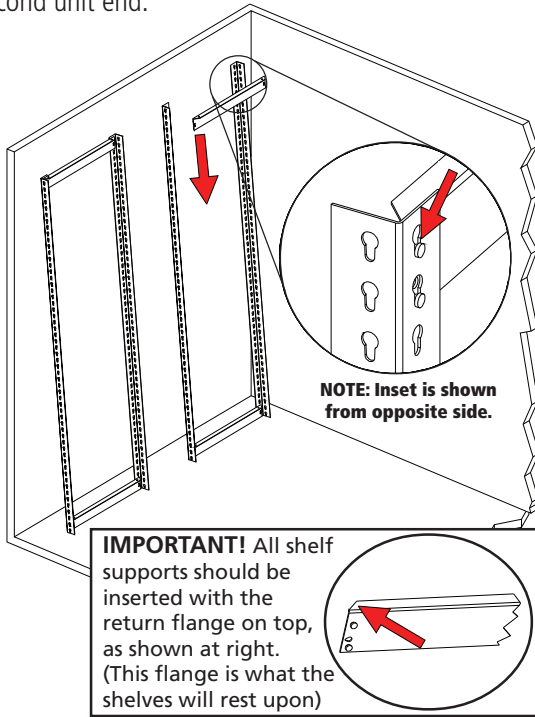
ASSEMBLY OF HEAVY-DUTY HIGH CAPACITY SHELVING

Two people are recommended for assembly. Approximate assembly time: 35-45 minutes per section.

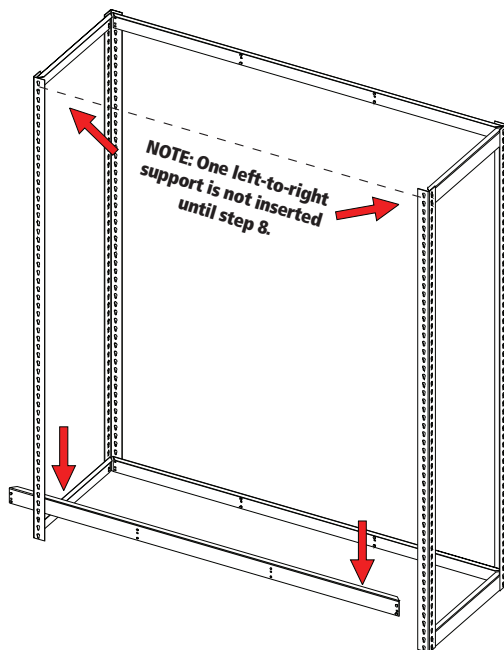
The reference numbers used throughout this sheet refer to the illustration on the back cover.

This is to help you to identify the various parts as they are mentioned.

1. With help from an associate, or using a wall for support, create a unit end by connecting two SUR uprights together (Ref. No. 1) with two front-to-back end shelf supports (Ref. No. 2), one at the top and one at the bottom. Be sure the supports are fully seated in the slots. Repeat to construct a second unit end.

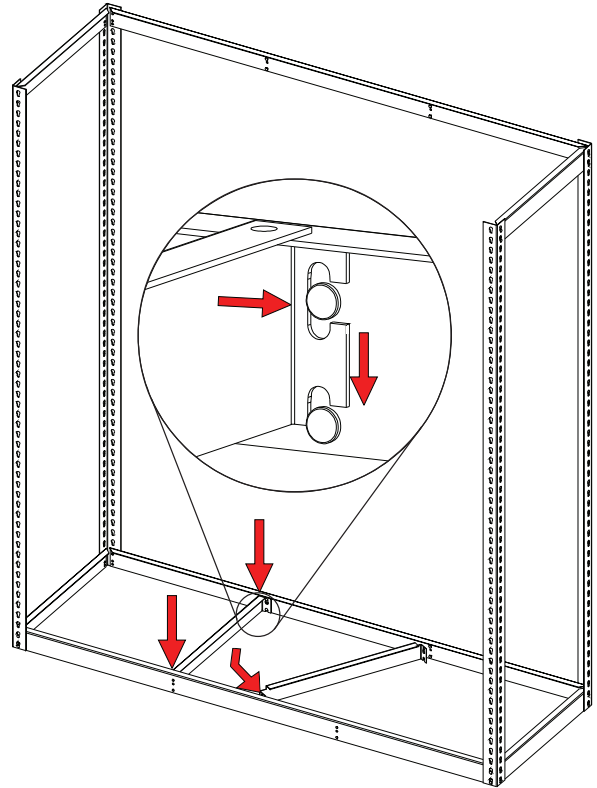


2. Next, connect the two unit ends with two LRA left-to-right shelf supports (Ref. No. 3), temporarily leaving off one of the top left-to-right supports.

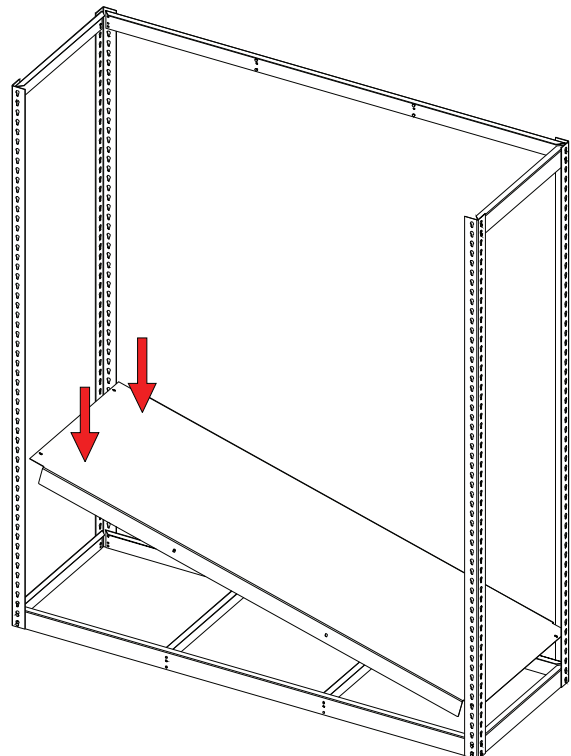


NOTE: It is important that one top left-to-right support be temporarily left off in order to later insert the upper shelves.

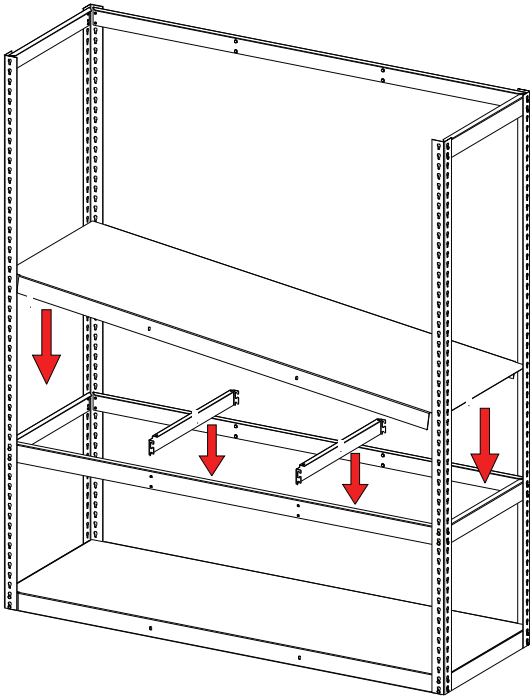
3. Attach two front-to-back center shelf supports (Ref. No. 4) by inserting the deck support keyhole slots over the rivets on the supports and tapping them firmly into place.



4. Lay the bottom decking (Ref. No. 5) on the shelf supports so that the front and back edges overlap the front and back shelf supports.



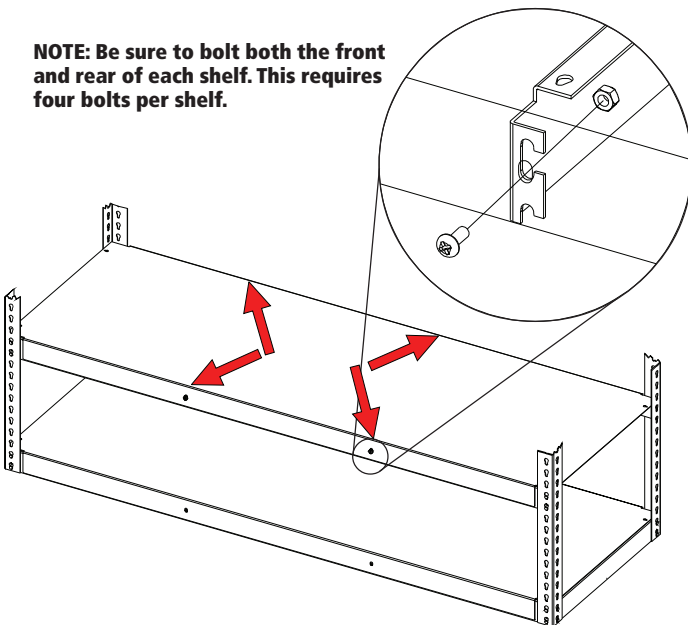
5. Attach shelf supports at the next desired shelf level. Once the shelf supports are in place, attach two front-to-back center supports as you did in step 3. Lower the steel decking into place, as described in step 4.



NOTE: Every fourth slot in the uprights has a flat top to help visually align the supports.

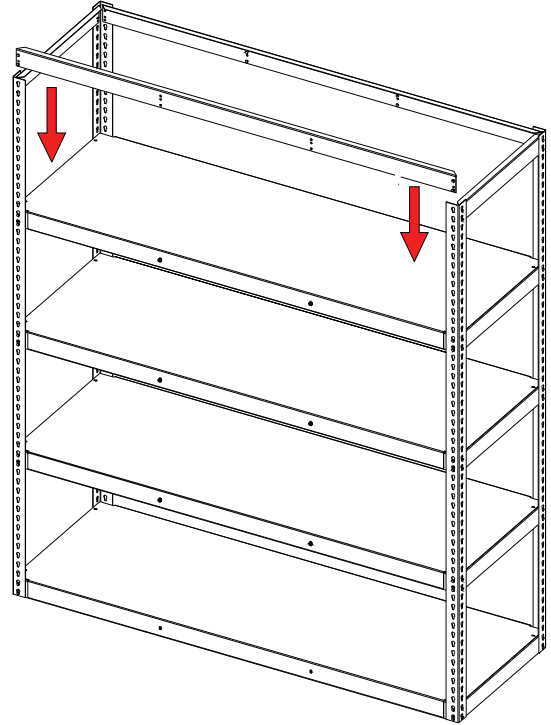
6. Once the decking is in place, secure it to the shelf supports with four sets of 1/4-20 x 5/8 bolts and nuts (Ref. No. 6). Do this by placing one bolt through each hole in the front and rear of the shelf, making sure the bolt goes through the decking and shelf supports as shown below. Tighten securely.

NOTE: Be sure to bolt both the front and rear of each shelf. This requires four bolts per shelf.



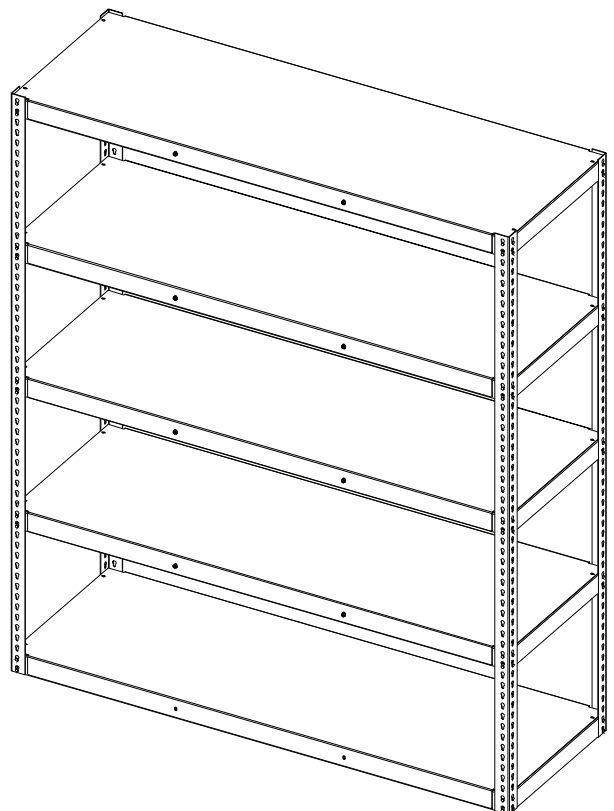
NOTE: Bolts are not needed to secure the deck supports on the bottom shelf because it rests on the floor. All other levels require these bolts to achieve maximum load capacities.

7. Attach the remaining shelf supports and decking at the desired shelf levels, completing one level at a time.

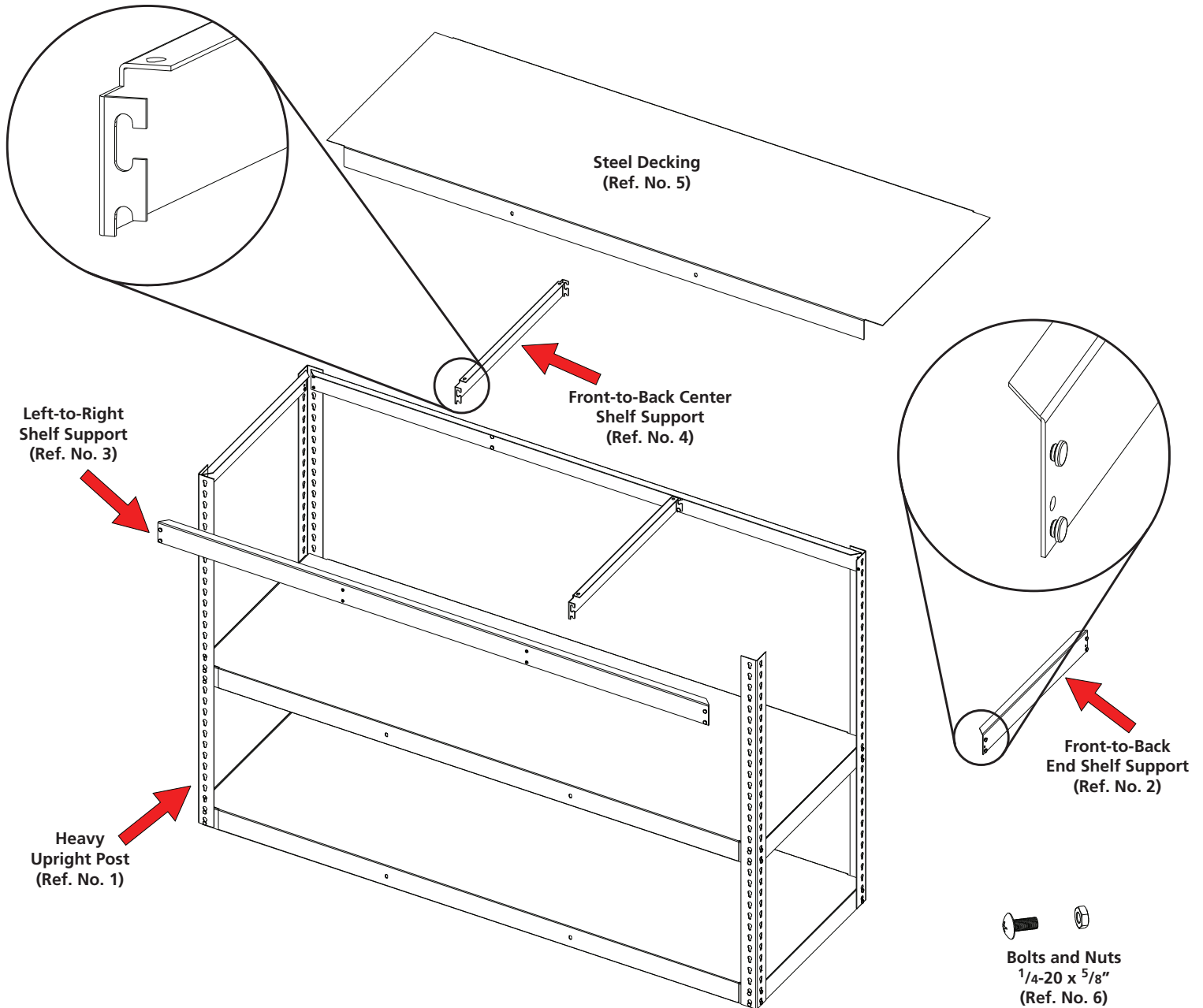


NOTE: Once all but the top shelf are in place, attach the remaining left-to-right shelf support at the top level.

8. After attaching the top decking and securing it with four sets of bolts, your die rack unit is fully assembled and ready for use.



REPLACEMENT PARTS



REF. NO.	DESCRIPTION	QTY.	PART NUMBERS					
			RXHS-722472	RXHS-722484	RXHS-722496	RXHS-723672	RXHS-723684	RXHS-723696
1	Heavy Upright Support	4	SUR-72	SUR-84	SUR-96	SUR-72	SUR-84	SUR-96
2	Front-to-Back End Shelf Support	10	LRA-24	LRA-24	LRA-24	LRA-36G	LRA-36G	LRA-36G
3	Left-to-Right Shelf Support	10	LRA-72	LRA-72	LRA-72	LRA-72	LRA-72	LRA-72
4	Front-to-Back Center Shelf Support	10	SDS-24	SDS-24	SDS-24	SDS-36	SDS-36	SDS-36
5	Steel Decking	5	ZS-7224	ZS-7224	ZS-7224	ZS-7236	ZS-7236	ZS-7236
6	$\frac{1}{4}$ -20 x $\frac{5}{8}$ " Bolts and Nuts		AVAILABLE LOCALLY					

NOTE: Additional hardware may be included for replacement purposes.

Global makes every effort to ensure that all units ship complete with all parts and arrive undamaged. However, should your unit contain missing or damaged parts, please contact your purchase location.