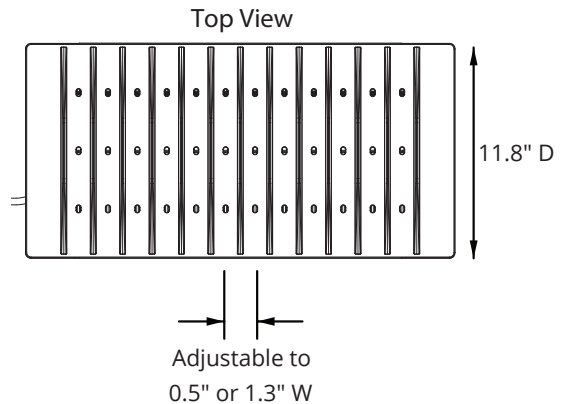
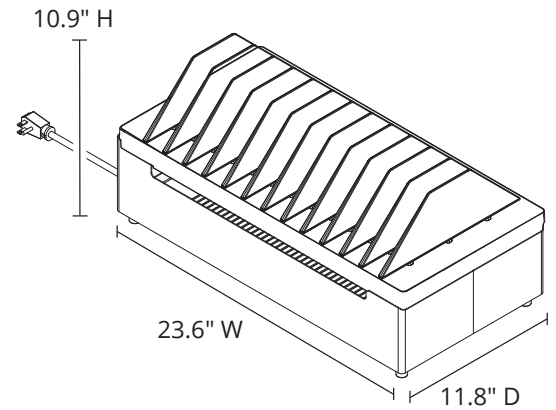


# LOTT12

## 12-PORT CHARGING STATION FOR LAPTOPS, TABLETS, AND DEVICES

### Product Specifications

Item Number	LOTT12
Lid and Divider Fin Material	ABS plastic
Base Material	Steel with powder coated finish
Foot Material	Thermoplastic elastomer (TPR)
Overall Dimensions	23.6" W x 11.8" D x 10.9" H
Adjustable Storage Slot Dimensions	4.1" H x 11.8" D x 0.5" or 1.3" W
Device Compatibility	Laptops, tablets, and phones with up to a 16" screen
Total Weight Capacity	44 lbs.
Individual Storage Slot Weight Capacity	5 lbs. (combined device weight cannot exceed total weight capacity)
Power Strip	14-outlet AC, UL certified, no surge protection, 15A circuit breaker, and on/off switch
Power Cord Length	10'
Product Weight	19.8 lbs.
Shipping Method	Ground
Shipping Carton Dimensions	26" W x 14" D x 8.5" H
Shipping Weight	22 lbs.
Assembly Required	No



To Order, Call Your  
Sales Representative  
or 800-323-4656