

**TD2100 Manual Gummed Tape Dispenser
Owner's Manual**



MARSH®

A wall-socket must be close to the product and readily accessible.

The overall system is protected against overload by the branch circuit protection in accordance with the current edition of the NEC or CEC

Table of Contents

Introduction.....	3
Warranty Information	4
Specifications.....	5
Setup Instructions.....	6
Operating Instructions.....	9
Maintenance.....	9
Troubleshooting	12
Parts List	13

Introduction

*Congratulations on the purchase of your new **MARSH TD2100** Gummed Tape Dispenser from MSSC, LLC. We are confident you will be very pleased with the operation and performance of this durable, quality built machine for many years to come.*

The TD2100 Gummed Tape Dispenser Owner's Manual provides the necessary information about the operation and maintenance of your new tape dispenser.

The Setup section was designed to be simplistic in the basic setup of the machine to allow you to quickly get the machine up and running to do what it was designed to do... Dispense Gummed Tape quietly, quickly and accurately.

The Operating section provides information on the operation of the machine.

The Maintenance Section provides information about required care and maintenance of the machines and further adjustments if required for your particular use.

This owner's manual provides a Troubleshooting section to help you with possible operating problems and corrective actions. Should you require replacement parts, please refer to the Parts List.

Should you need assistance, or if you would like to obtain information about any Marsh product, contact your Marsh distributor or MSSC, LLC at:

Warranty Information

MSSC, LLC warrants that your selling distributor will repair, replace, or adjust components found to be defective in factory materials or workmanship for a period of 18 months. Your Marsh distributor will provide free service for ninety (90) days from the beginning of the warranty period. The warranty period begins on the original installation date as indicated on your on-line warranty registration.

Conditions of warranty:

- 1. Properly regulated electrical power that is free of surges and spikes must be provided for electrical equipment.*
- 2. Operating personnel must be properly instructed on use of machine.*
- 3. Maintenance procedures must be observed – see Owner's Manual.*
- 4. Use only approved Marsh accessories and replacement parts.*
- 5. Warranty must be validated by MSSC, LLC. If no warranty is submitted, coverage begins on the date of shipment from MSSC, LLC.*

Exclusions: Damage due to tampering, abuse, improper adjustments, use of non-approved components or electrical interference will not be covered by the warranty.

Specifications

Shipping Weight: 31 pounds (14.1 kg)

Water Bottle Capacity: 70 ounces (2070 ml)

Tape: Dry gummed tape – paper or reinforced – between 1 to 3 inches (25.4 to 76.2 mm) wide, up to 1000 feet (304.8 m) long and 9 inches (228.6 mm) max roll diameter

For Units with Heater:

Electrical Requirements: 115 volts AC or 220 volts AC
50/60 Hz
4 amps at 115 volts
2 amps at 220 volts

Power Cord Length: 7 feet (2.3 m)

Dimensions:

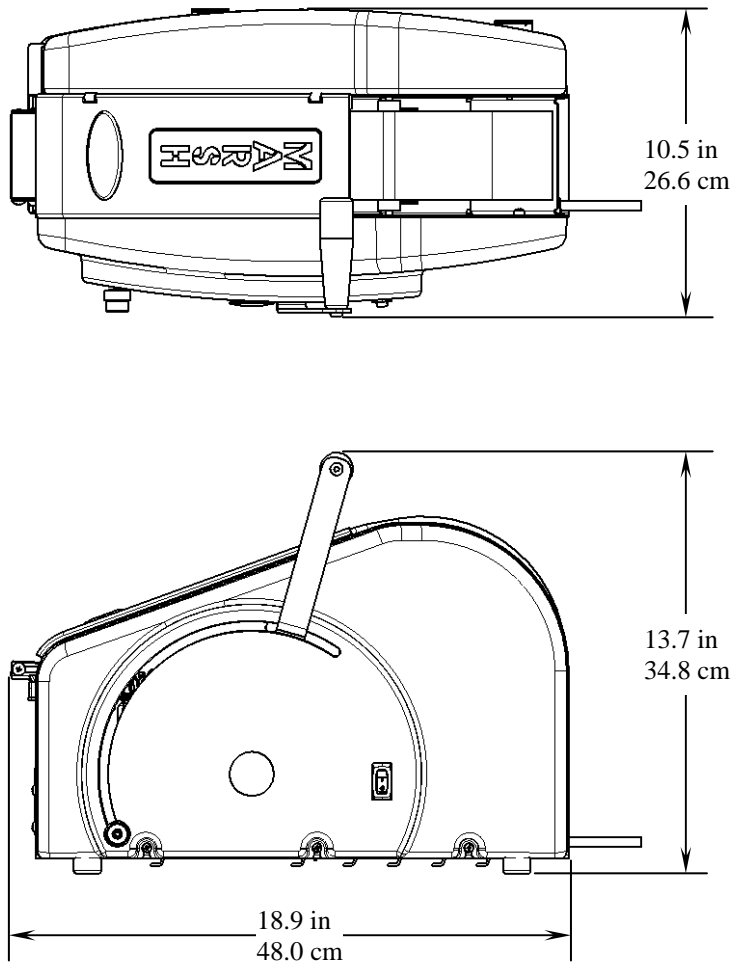


Figure 1- Tape Machine Dimensions

Setup Instructions

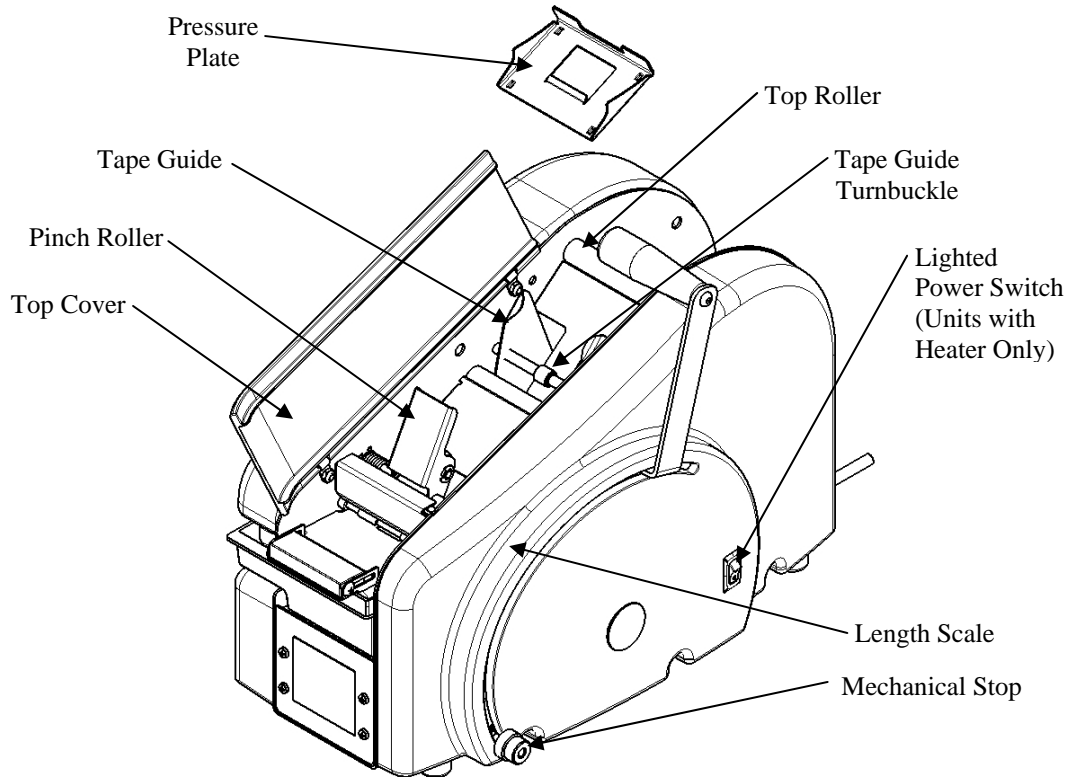


Figure 2 – Loading Tape

Loading Tape – Figure 2 & 3

1. Open the top cover of the machine.
2. Adjust the tape guides, with the tape guide turnbuckle, wide enough to get the tape between them.
3. Place the roll of tape into the machine.
4. Adjust the tape guides, with the tape guides turnbuckle, to hold the tape in the middle of the machine with a 1/8" clearance on both sides.
5. Remove the pressure plate from the machine.
6. Feed the tape, gummed side down, over the top roller, under the tape guide flaps, and then under the pinch roller, see Figure 3.

NOTE: For gummed side out tape (typically used in Europe), load the tape roll opposite as shown and route the gummed side over the top roller.

7. Place the pressure plate over the tape and release the pinch roller.
8. Close the top cover.

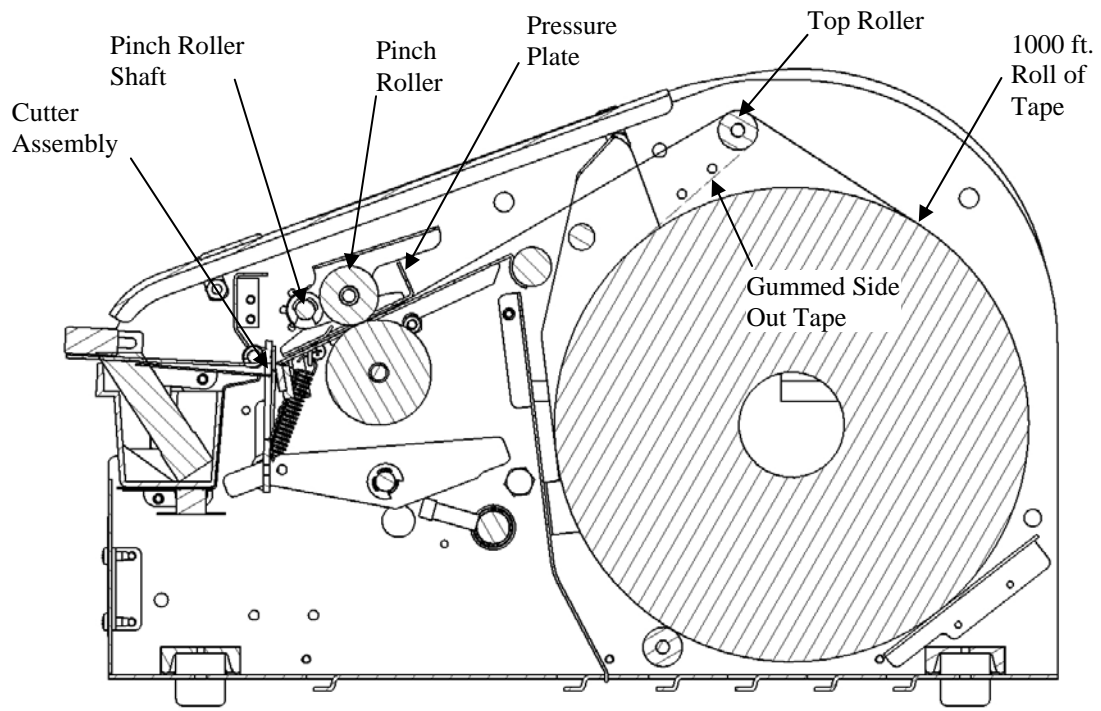


Figure 3 – Tape Routing

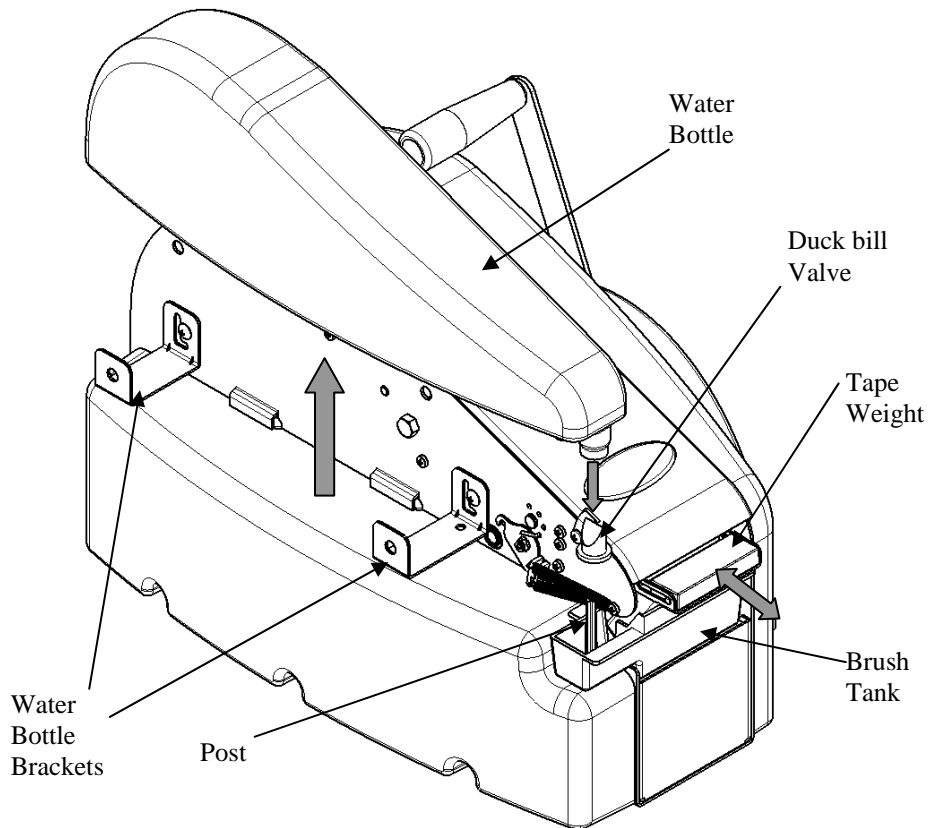


Figure 4 – Filling the Water Bottle, Adjusting the Brush Tank Water Level, Adjusting the Tape Weight

Filling the Water Bottle – Figure 4

1. Remove the water bottle from the machine.
2. Remove the duckbill valve from the water bottle.
3. Fill the water bottle with water.
4. Place the duckbill valve back into the water bottle.
5. Place the water bottle back onto the machine; verify that the post in the brush tank is inserted through the duckbill valve.

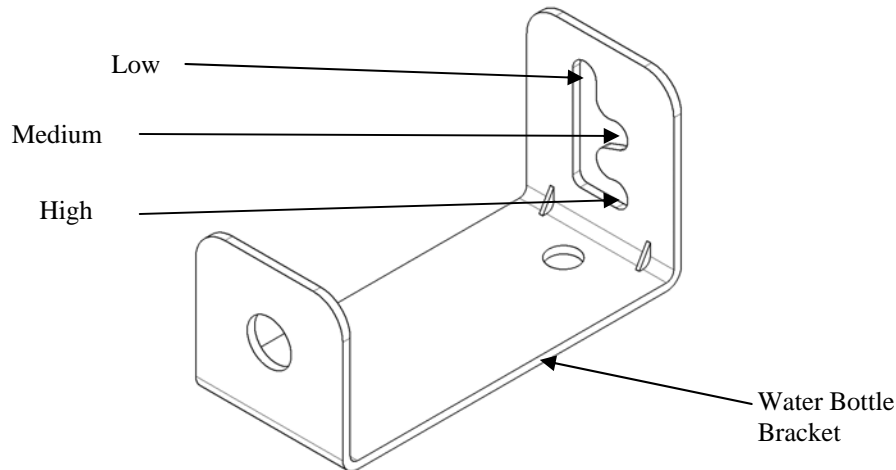


Figure 5 – Adjustable Water Level Positions

Adjusting the Brush Tank Water Level – Figure 4 & 5

1. Loosen the retaining screws on the water bottle brackets.
2. Move the water bottle brackets to the desired position to obtain the desired water level in the brush tank, light weight tapes would typically be set at the low position, Figure 5.
3. Both brackets should be at the same position.
4. Tighten the retaining screws on the water bottle brackets.

Adjusting the Tape Weight – Figure 4

1. Loosen the retaining screw.
2. Slide the tape weight forward for greater pressure, typically heavy weight tapes which will apply more water on the tape.
3. Slide the tape weight backwards less pressure, typically light weight tapes which will apply less water on the tape.
4. Tighten the retaining screw.

Operating Instructions

Once the machine has been properly setup for use, pull the operating handle to the desired length that is on the scale and release the handle, when the handle returns to the resting position the tape will be cut. The mechanical stop is provided on the side of the machine (Figure 2) to be used if a known length will be used repeatedly. The mechanical stop can be moved to the desired position by loosening the knurled nut a half of a turn and sliding up or down the slot in the machine and retightening.

Caution: The knurled nut should never be removed.

Maintenance

The Marsh TD2100 requires very little maintenance, but it is important to regularly clean the brush, brush tank, cutter mechanism, and remove debris from the tape path. A suggested time for cleaning the machine and its parts is at the same time as when the water bottle needs to be refilled.

CAUTION: For units with a power switch (units with heater), before beginning maintenance or adjustments be sure the tape machine is turned off and unplugged.

Cleaning Water Feed System

1. For units with a heater turn the power switch to the off position and unplug the power cord.
2. Clean the brush by soaking it in warm soapy water and then rinse.
3. Clean the brush tank by rinsing it with warm water.
4. Rinse out the water bottle and duckbill valve with warm water.

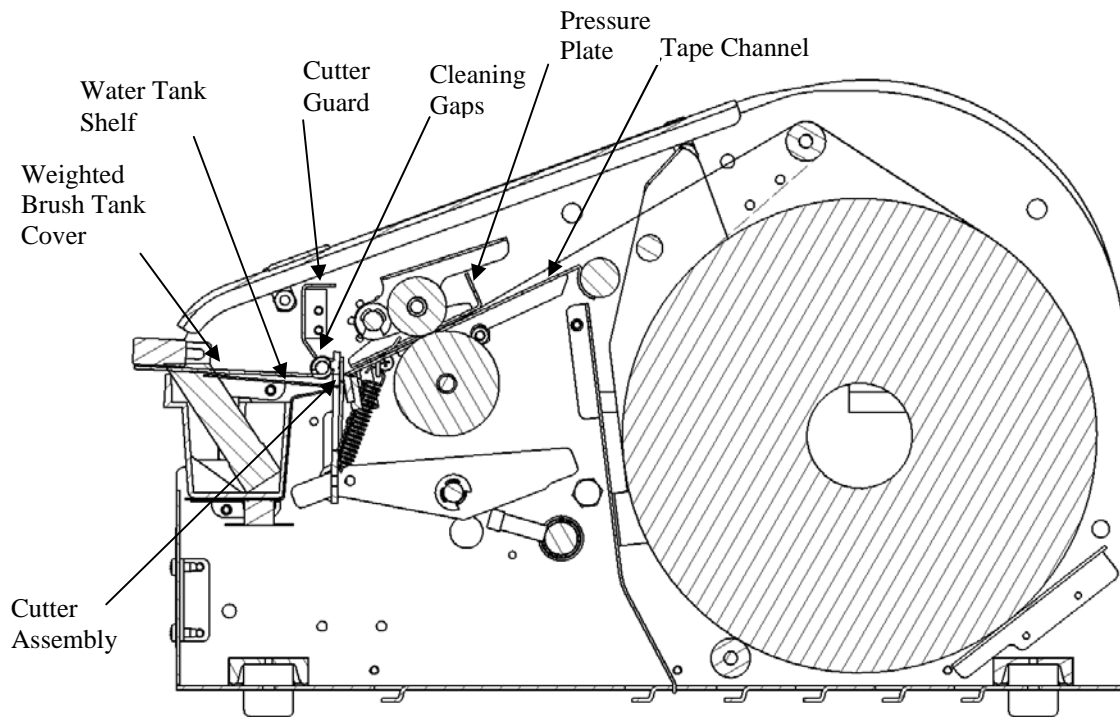


Figure 6 – Cleaning the Cutter Assembly, Cleaning the Tape Path

Cleaning the Cutter Assembly – Figure 6

1. For units with heater, turn the power switch to the off position and unplug the power cord.
2. Open top cover.
3. Remove pressure plate.
4. Remove the tape from the tape path.
5. Using minimal amount of a non-flammable lubricant (MG Chemicals Super Penetrating Lubricant [www.mgchemicals.com], WD 40, or Marsh Industrial Silicon Spray are recommended), spray the cutter assembly behind the cutter guard, using the available gaps in front and behind the cutter guard. Allow the lubricant to dry or wipe dry.
6. Place the tape back in the tape path, refer to loading tape section.
7. Place the pressure plate back into the machine. The pressure plate must be loaded so it touches the pinch roller shaft and the arrow on the pressure plate points toward the front of the machine.
8. Close top cover.

Cleaning the Tape Path – Figure 6

1. For units with heater, turn the power switch to the off position and unplug the power cord.
2. Open the top cover.
3. Remove pressure plate.
4. Remove tape from tape path.
5. Using compressed air remove all debris form the tape path.
6. Using a moist cloth wipe down all sheet metal parts within tape path (tape channel, pressure plate, weighted brush tank cover, and water tank holder) to remove the gum adhesive buildup.
7. Using compressed air, remove any visible moisture from the tape path or let the machine air dry.
8. Referring to the tape loading section, place the tape back into the tape path.
9. Place the pressure plate back in the machine. The pressure plate must be loaded so it touches the pinch roller shaft and the arrow on the pressure plate points toward the front of the machine.
10. Close the top cover.

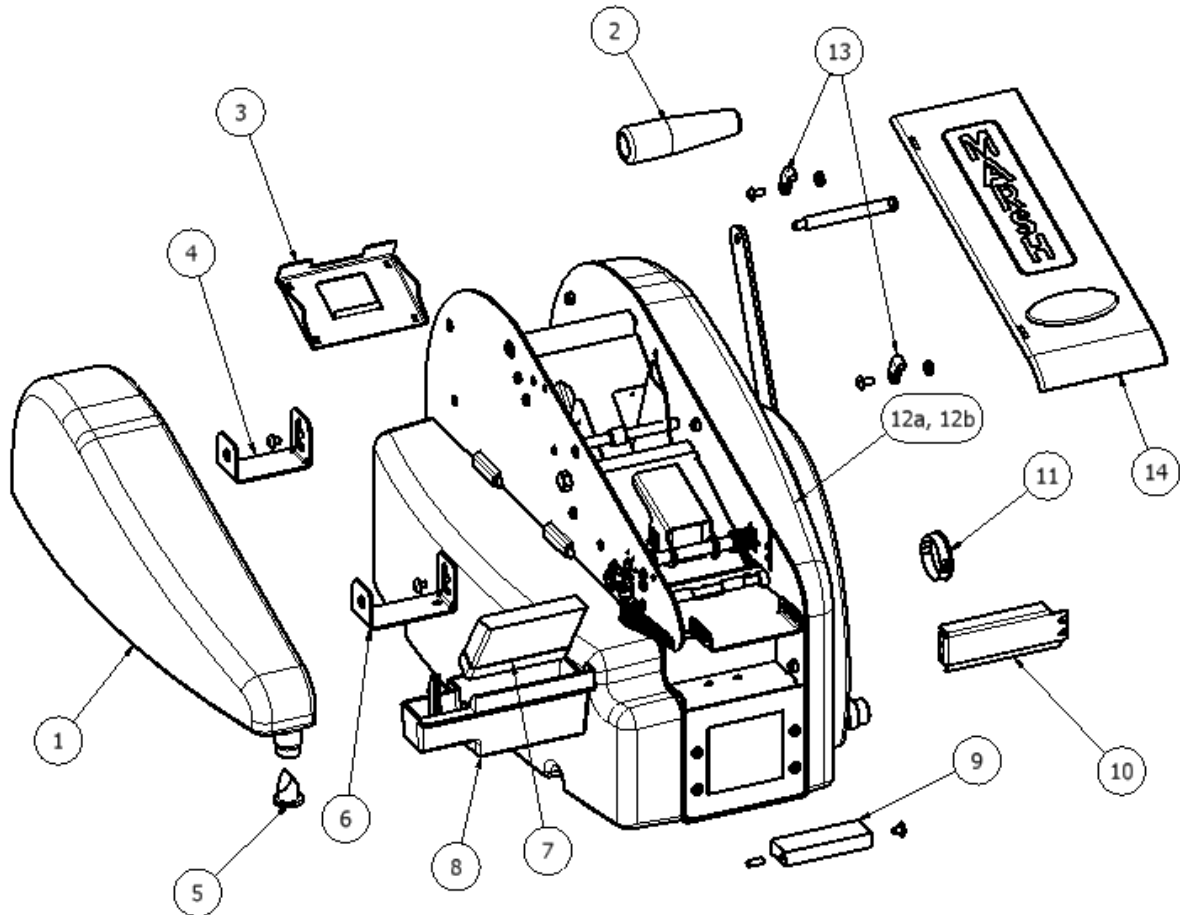
Troubleshooting

This section describes potential problems you may encounter while working with your TD2100 tape machine and outlines possible causes and solutions for these problems. To avoid problem situations, be sure to follow the procedures in the setup and maintenance sections. **For units with heater, before performing any repair procedures be sure that the power switch is in the off position and is disconnected from the power source.**

The tape is jamming, tearing, or won't feed.

Possible Cause:	Solution:
1. Is there debris in the tape path?	Clean the tape path, refer to the maintenance section.
2. Are the tape guides too tight?	Adjust the tape guides with the tape guide turnbuckle; refer to the loading tape section.
3. Is the tape routed correctly?	Route the tape according to Figure 3 (p. 7).
4. Is the pressure plate in place?	Verify that the pressure plate is in place.
5. Is there too much weight on the brush?	Adjust the amount of weight on the brush, refer to the setup section.
6. Is the cutter cutting the tape?	Clean the cutter assembly; refer to the maintenance section, if problem persists, contact the Marsh distributor or MSSC, LLC.

Parts List



Item Number	Part Number	Description
1	RP40401	Water Bottle
2	RP41257	Handle
3	RP40505	Pressure Plate
4	RP40404	Rear Water Bottle Bracket with Screw
5	RP33460	Duck Bill Valve
6	RP40403	Front Water Bottle Bracket
7	RP40407	Brush
8	RP40405	Brush Tank
9	RP40517	Tape Weight with Screw
10	RP41325	Cutter Guard with Screws
11	RP41302	Hole Plug
12a	RP41260	Inch Measuring Strip
12b	RP41262	Metric Measuring Strip
13	RP40311	Top Cover Hinge with Screw (Qty 2)
14	RP40310	Top Cover