

User's manual	Manual del usuario	Manuel de l'utilisateur
Customer Service US: 1-800-645-2986	Servicio de atención al Cliente México: 01.800.681.6940	Service à la clientèle Canada: 888-645-2986

## Lift Table

Model 989011



**Note: Owner and operator MUST read and understand these operating instructions before using this lift table.**

# Lift Table

## TABLE OF CONTENTS

<b>1. Warnings.....</b>	<b>2</b>
<b>2. Daily Inspection .....</b>	<b>3</b>
<b>3. Operating Lift Table .....</b>	<b>3</b>
<b>4. Specifications.....</b>	<b>4</b>
<b>5. Service Instructions .....</b>	<b>4</b>
<b>6. Part List of Table .....</b>	<b>5</b>
<b>7. Part List of Pump.....</b>	<b>6</b>

Thank you for using this lift table. Your lift table is made of high quality steel and is designed for the lifting and horizontal transport of loads on a level, fixed base. For your safety, please carefully read this instruction manual before using it and keep it on file for future reference.

**NOTE: All of the information reported herein is based on data available at the moment of printing. We reserve the right to modify our own products at any moment without notice and incurring in any sanction. So, it is suggested to always verify possible updates.**

### 1. WARNINGS

- 1、 DO NOT put foot or hand in scissors mechanism.
- 2、 DO NOT allow other person to stand in front or behind lift table when it is moving.
- 3、 DO NOT move lift table when table is in raised position. Load could fall down.
- 4、 DO NOT enter under table.
- 5、 DO NOT overload lift table.
- 6、 DO NOT put foot in front of rolling wheels.
- 7、 WATCH difference of floor level when moving lift table. Load could fall down.
- 8、 DO NOT use lift table on slope or inclined surface, lift table may become uncontrollable and create danger.
- 9、 DO NOT lift people. People could fall down and suffer severe injury.
- 10、 Read this operation manual carefully before operating lift table. Improper operation can be dangerous.
- 11、 This lift table is a movable lifter designed to lift or lower rated load on table. DO NOT use lift table for purposes other than its intended use.
- 12、 Only allow operators who have read and understand the instructions to operate the lift table
- 13、 DO NOT lower table too fast. Load could fall down and cause injury.
- 14、 KEEP watching the condition of load. Stop operating lift table if load

# Lift Table

becomes unstable.

- 15、 Apply brakes when sliding load on or off table.
- 16、 DO NOT side or end load. Load must be distributed evenly across table area.
- 17、 DO NOT use lift table with unstable or unbalanced load.
- 18、 Practice maintenance work according to service instructions.
- 19、 DO NOT modify lift table without manufacturers written consent.
- 20、 REMOVE load from table and use safety stopper to prevent table from lowering when servicing lift table.
- 21、 This lift table is not designed to be water resistant. Use lift table under dry conditions.

## 2. DAILY INSPECTION

Daily inspection is effective for preventing injuries caused by product damage.

Check lift table on the following points before operation .

- (1) Check for scratches, bending or cracking on the lift table.
- (2) Check if there is any oil leakage from the cylinder.
- (3) Check for vertical creep of the table.
- (4) Check the smooth movement of the wheels.
- (5) Check the brake function.
- (6) Check that all the bolts and nuts are tightened firmly.

**CAUTION:** *DO NOT use lift table if any malfunction or fault is found.*

## 3. OPERATING LIFT TABLE

### 3-1. How to use the brake.

**CAUTION:** Use brakes when the lift is stationary to prevent sudden movement.

The brake is equipped with a swivel caster on one side.

- (1) To apply the brakes, press the brake pedal down.
- (2) To release the brakes, lift the brake pedal up.

### 3-2. Lifting the table

#### WARNING

1. DO NOT overload lift table. Stay within its rated capacity.
2. DO NOT side or end. Load must be distributed evenly across table area.

Press the lifting pedal several times until the table reaches the desired position. The table does not elevate after reaching the highest position even if the lifting pedal is pressed. The table lowers slightly after reaching the highest position.

MAXIMUM CAPACITY OF TABLE
989011
1100 lbs

**NOTE:** The hydraulic cylinder is designed to hold table. As is the nature of hydraulic systems, table lowers very slowly over an extended period of time. Please note the table does not stay at the same position indefinitely.

3. To lower the table, pull the control handle.

# Lift Table

## 4. Specifications

Model	Capacity (lbs)	Table (in)	Table Height (in)	Wheel (in)	Weight (lbs)
989011	1100	32x19.7/33.5x19.7	11 - 34.6	Φ5	179

## 5. Service Instructions

5-1. Change hydraulic oil every 12 months.

5-2. Lubricate each point described below every month:

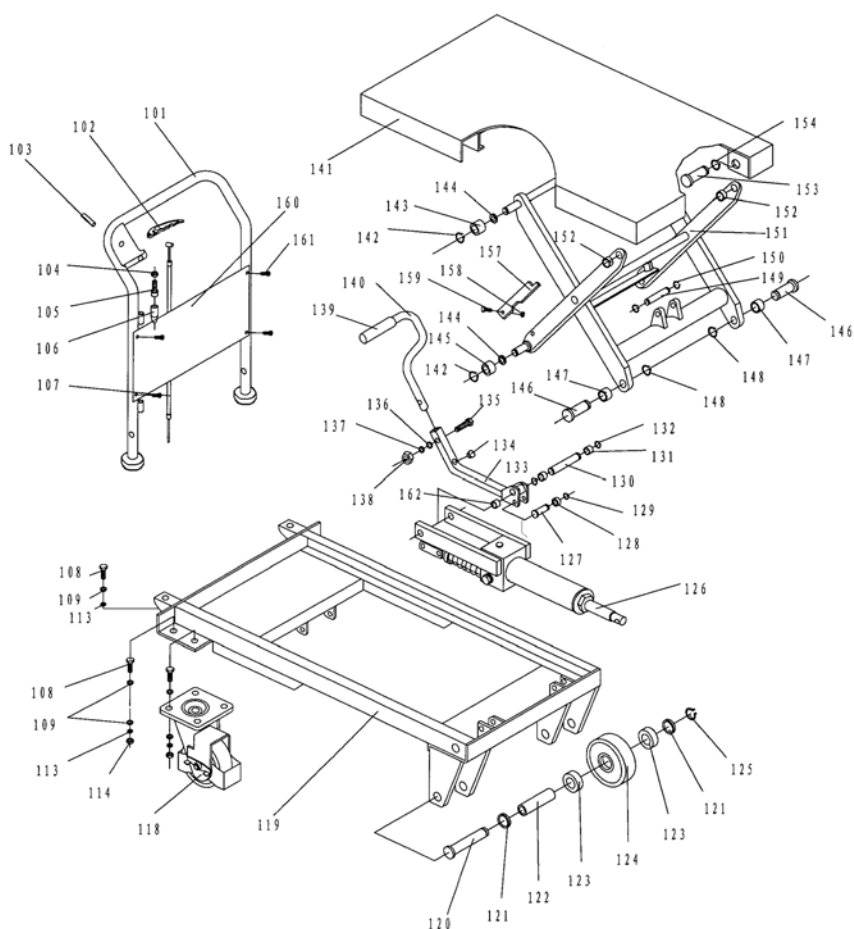
- (1) Fitting of cylinder---Oil
- (2) Roller friction surface---Grease
- (3) Link pin ---Oil
- (4) Pedal fitting point---Oil
- (5) Grease nipple---Grease

### ATTENTION

1. Follow all federal and local recycling laws when disposing of hydraulic fluid, oil, and grease.

# Lift Table

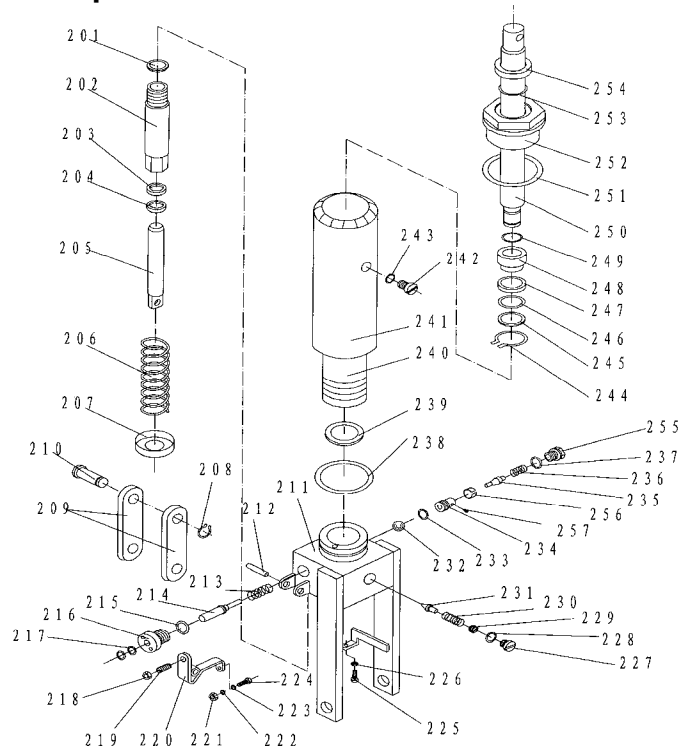
## 6. Part List of Table



No	Description	Qty.	No	Description	Qty.
101	Handle Grip (Cr-Pl)	1	134	Cushion	1
102	Control Handle	1	135	Bolt	1
103	Elastic Pin	1	136	Washer	1
104	Nut	1	137	Elastic Washer	1
105	Bolt with Hole	1	138	Nut	1
106	Jacket	1	139	Protecting Cover	1
107	Pull Rod	1	140	Pedal Bar (Cr-Pl)	1
108	Bolt	10	141	Table(304)	1
109	Washer	6	142	Retaining Ring	4
113	Elastic Washer	10	143	Roller	2
114	Nut	8	144	Washer	4
118	Universal Wheel	2	145	Roller	2
119	Frame(304)	1	146	Pin	2
120	Pin	2	147	Bushing	2
121	Washer	4	148	Retaining Ring	2
122	Axle	2	149	Pin	1
123	Bearing	4	150	Retaining Ring	2
124	Wheel	2	151	Fork Arm (EP)	1
125	Retaining Ring	2	152	Bushing	2
126	Pump Unit (EP)	1	153	Pin	2
127	Pin	1	154	Retaining Ring	2
128	Washer	1	157	Sort Plank	2
129	Retaining Ring	1	158	Nut	2
130	Pin	1	159	Screw	2
131	Washer	2	160	Protecting board (Cr-Pl)	1
132	Retaining Ring	2	161	Bolt	4
133	Connecting Rod (304)	1	162	Bushing	2

# Lift Table

## 7. Part List of Pump



No	Description	Quantity	No	Description	Quantity
201	Seal Washer	1	230	Spring	1
202	Pump Cylinder	1	231	Spindle of Safety Valve	1
203	Dust Ring	1	232	Steel Ball	1
204	Y - Seal	1	233	O-Ring	1
205	Pump Piston	1	234	Seat of Pumping Valve	1
206	Spring	1	235	Spindle of Pumping Valve	1
207	Spring Cap	1	236	Spring	1
208	Retaining Ring	1	237	Seal Washer	1
209	Joint Plate	2	238	O - Ring	1
210	Pin	1	239	Seal Washer	1
211	Pump Body	1	240	Cylinder	1
212	Elastic Pin	1	241	Housing	1
213	Spring	1	242	Bolt	1
214	Strike Pin	1	243	Seal Washer	1
215	Seal Washer	1	244	Retaining Ring	1
216	Axle Sleeve	1	245	Washer	1
217	O - Ring	2	246	O - Ring	1
218	Nut	1	247	Cup Packing	1
219	Screw	1	248	Piston	1
220	Lever Plate	1	249	O - Ring	1
221	Nut	1	250	Piston Rod	1
222	Elastic Washer	1	251	Seal Washer	1
223	Washer	1	252	Cylinder Cap	1
224	Bolt with Hole	1	253	O - Ring	1
225	Bolt with Hole	1	254	Dust Ring	1
226	Nut	1	255	Plug	1
227	Plug	1	256	Liquid Throttle Sheath	1
228	O - Ring	1	257	Bolt	1
229	Adjusting Bolt	1			