

<b>User's manual</b>	<b>Manual del usuario</b>	<b>Manuel de l'utilisateur</b>
<b>Customer Service</b> US: 1-800-645-2986	<b>Servicio de atención al Cliente</b> US: 1-800-645-2986	<b>Service à la clientèle</b> Canada: 888-645-2986

# Global Industrial™ Heavy Duty Wire Meter Counter, 1/16"-1" Capacity & 1/16" - 2" Capacity



**Model: 320794**

**Model: 271291**



## Product Details

Model	320794	271291
<b>Assembly Required</b>	Assembled	Assembled
<b>Material</b>	Steel	Steel
<b>Color Family</b>	Blue	Blue
<b>Description</b>	Meter, 1/16" - 1" capacity	Meter, 1/16" - 2" capacity

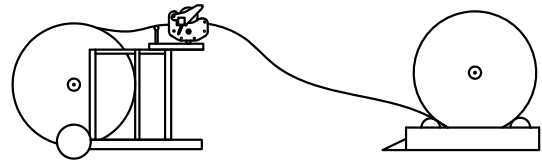
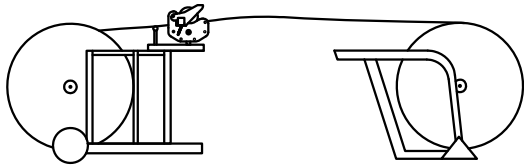
# Wire Meter Counter

## Operating Instructions

## Precautions

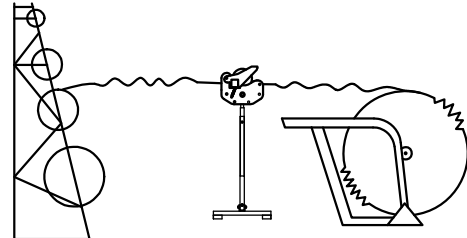
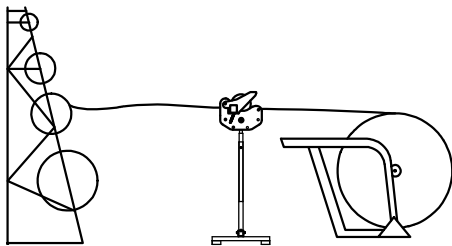
**Keep wire as horizontal as possible.**

**Do not pull in the wire from extreme highs or lows.**



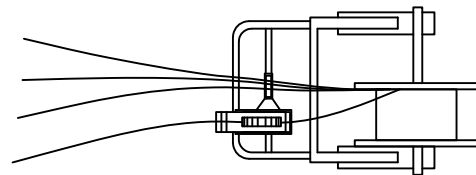
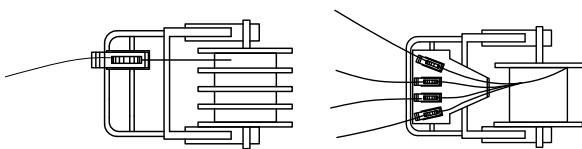
**Slowly pull wire as steadily as possible and pull it over back of payout unit**

**Make sure there is no vibration or any jerking motion and do not pull wire from front of payout unit**



**Either measure each leg by single paralleling with a compartment reel or direct paralleling 4 legs with 4 meters**

**Do not measure one leg only and bypass all other legs.**

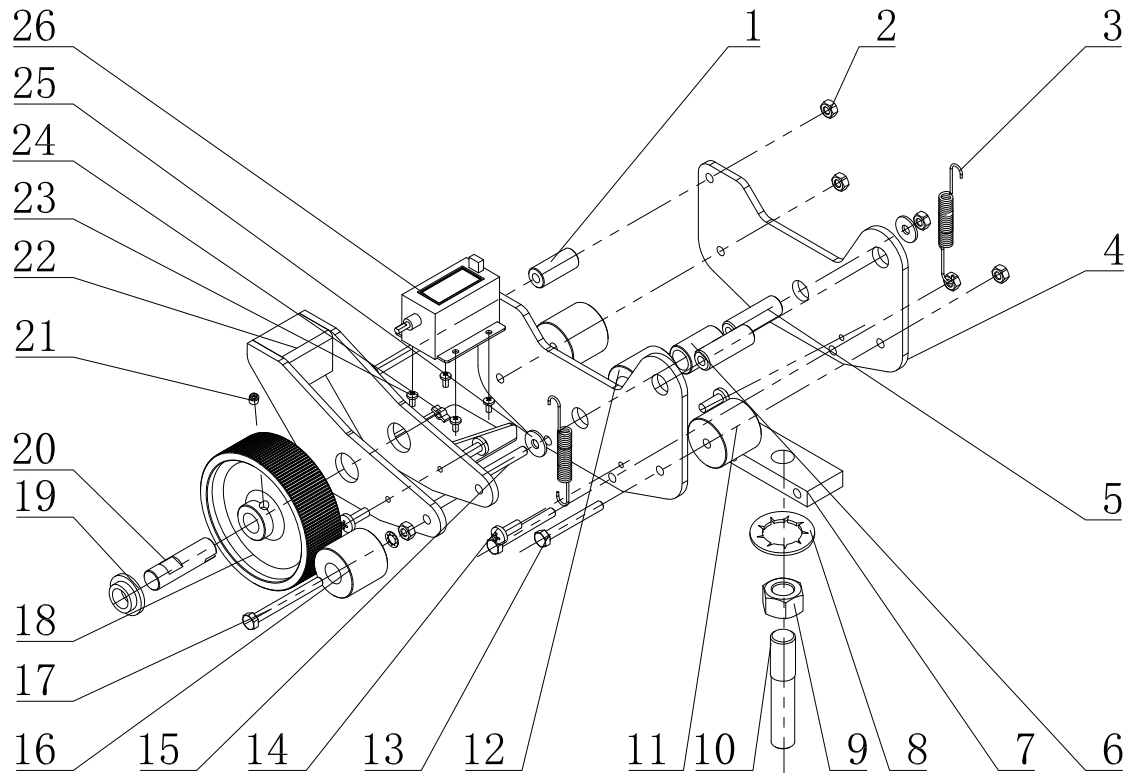


**WARNING:** 1. Please pull at consistent speed.  
2. Pull at speed no more than 1ft/s.

# Wire Meter Counter

Model: 320794

## Exploded View



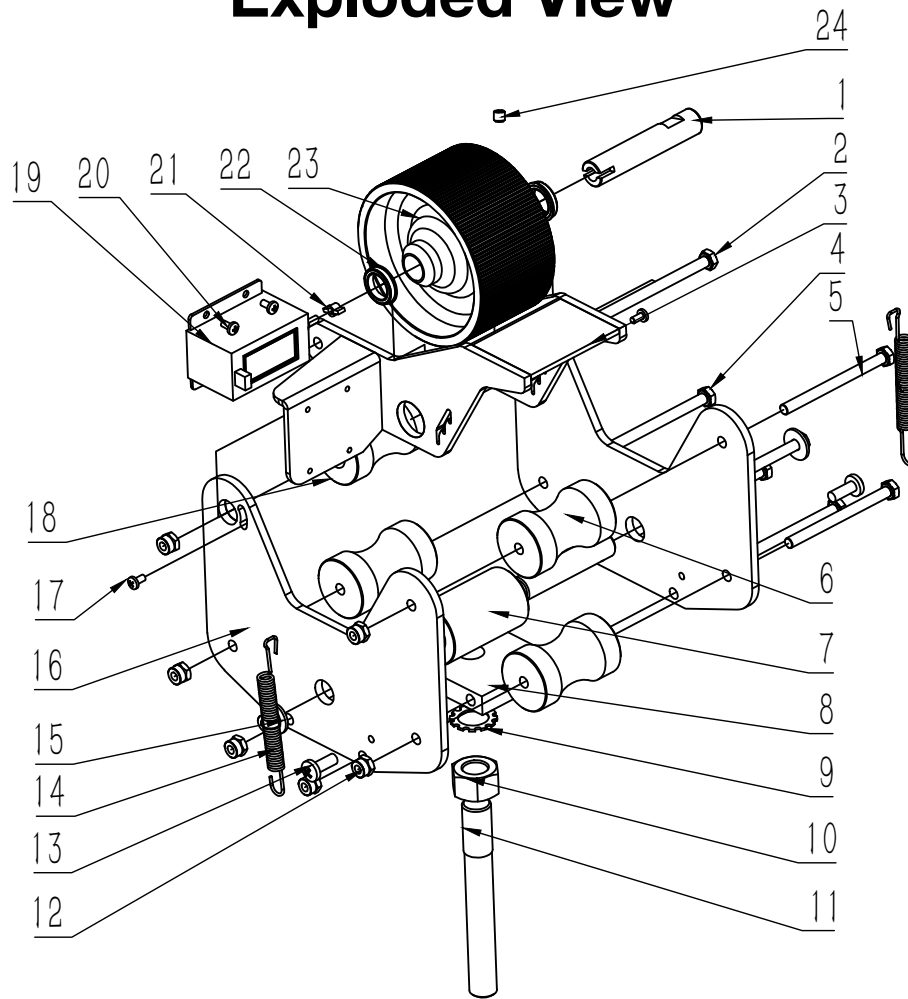
## Part List

No.	Description	Qty	No.	Description	Qty
1	Hollow Shaft A	1	14	Cross Screw M6x16	4
2	Lock Nut M6	7	15	Hex Bolt M6x55	1
3	Tension Spring	2	16	Wheel C	1
4	Side Plate	2	17	Hex Bolt M6x60	1
5	Hollow Shaft B	2	18	Idler Wheel	1
6	Hollow Shaft C	1	19	Cap	2
7	Bottom Plate	1	20	Axel	1
8	Lock Washer 16	1	21	Set Screw	1
9	Nut M16	1	22	Arm Frame	1
10	Stud M16	1	23	Cross Screw M3x7	4
11	Wheel A	2	24	Coupling Piece	1
12	Wheel B	1	25	Big Washer 6	2
13	Hex Bolt M6x50	5	26	Counter	1

# Wire Meter Counter

Model: 271291

## Exploded View



## Part List

No.	Description	Qty.	No.	Description	Qty.
1	Alxe	1	13	Cross Screw M6x16	2
2	Hex Bolt M6x85	1	14	Tension Spring	2
3	Arm Frame	1	15	Big Washer 6	2
4	Hex Bolt M6x80	1	16	Side Plate	2
5	Hex Bolt M6x75	5	17	Cross Screw M4x8	2
6	Hollow Shaft B	3	18	Wheel	1
7	Hollow Shaft C	1	19	Counter	1
8	Bottom Plate	1	20	Cross Screw M3x7	4
9	Lock Washer 12	1	21	Coupling Piece	1
10	Nut M16	1	22	Flange bearing	2
11	Stud M16	1	23	Idler Wheel	1
12	Lock Nut M6	7	24	Set screw	1