



Walk-Behind Broadcast Spreader

SP-85 & SP-85SS

Owner's Manual and Installation Instructions *Original Instructions*



▲ CAUTION

Read this document before operating or servicing the spreader.

This document is for SnowEx® SP-85 walk-behind broadcast spreaders beginning with serial numbers PD-102588 and higher, and SP-85SS walk-behind broadcast spreaders beginning with PE-100800 and higher.

This document supersedes all editions with an earlier date.



TABLE OF CONTENTS

PREFACE	5
Owner's Information	5
SAFETY	6
Safety Definitions	6
Labels	6
Safety Precautions	7
Personal Safety	7
Noise	7
Vibration	7
LOADING	8
Loading Your Spreader	8
Material Weights	8
ASSEMBLY	9
Assembly Instructions	9
OPERATING THE SPREADER	11
Using the Spreader	11
Spreading Tips	11
Accessories	11
Poly Deflector Kit (PDK-020)	11
MAINTENANCE	12
Lubrication	12
Storage & Maintenance	12
TROUBLESHOOTING	13
Model #SP-85 & SP-85SS	13



PREFACE

This manual has been prepared to acquaint you with the safety information, operation, and maintenance of your new walk-behind spreader. Please read this manual carefully and follow all recommendations. This will help ensure profitable and trouble-free operation of your spreader. Keep this manual accessible. It is a handy reference in case minor service is required.

When service is necessary, bring your walk-behind spreader to your distributor. They know your spreader best and are interested in your complete satisfaction.

Register your spreader online at www.snowexproducts.com

OWNER'S INFORMATION

Owner's Name: _____

Date Purchased: _____

Outlet Name: _____ Phone: _____

Outlet Address: _____

Spreader Type (Model): _____ Weight: _____ lb/kg

Spreader Serial Number: _____

SAFETY

SAFETY DEFINITIONS

⚠ WARNING

Indicates a potentially hazardous situation that, if not avoided, could result in death or serious personal injury.

⚠ CAUTION

Indicates a potentially hazardous situation that, if not avoided, may result in minor or moderate injury. It may also be used to alert against unsafe practices.

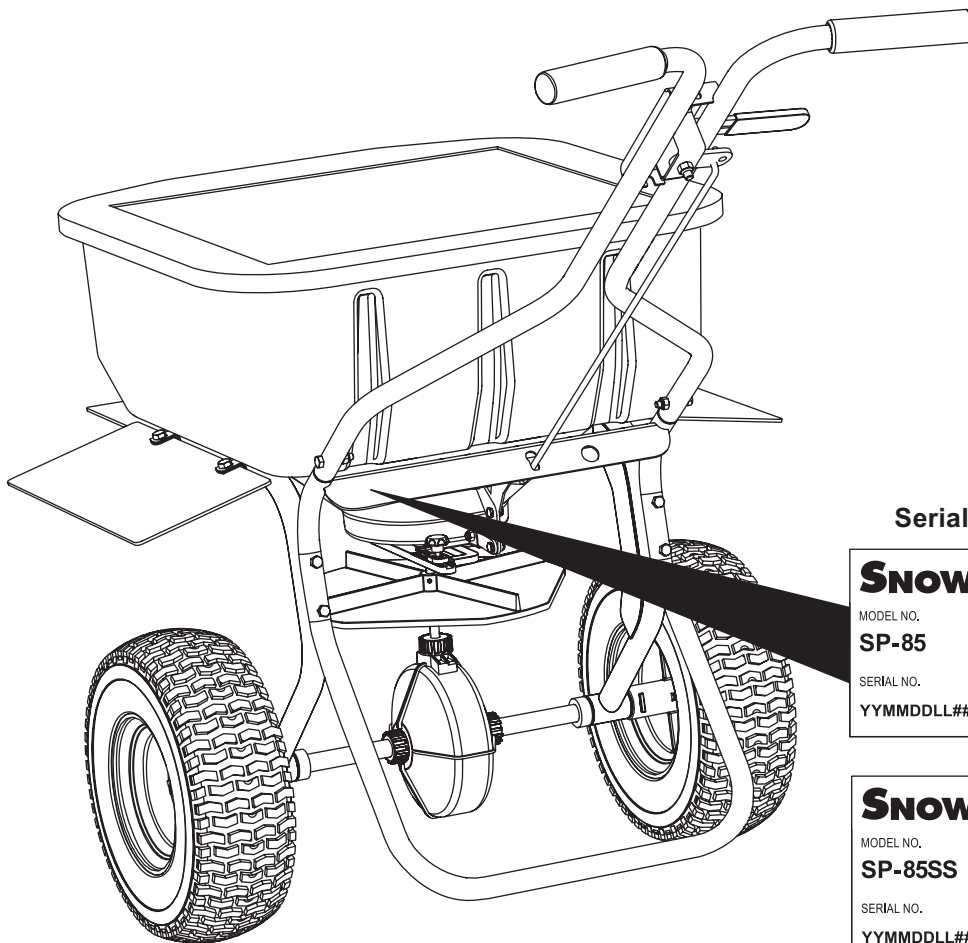
NOTE: Indicates a situation or action that can lead to damage to your spreader and vehicle or other property. Other useful information can also be described.

LABELS

Please become familiar with the labels on the spreader.

NOTE: If labels are missing or cannot be read, see your sales outlet.

Code	Definition
YY	2-Digit Year
MM	2-Digit Month
DD	2-Digit Day
LL	2-Digit Location Code
####	4-Digit Sequential Number
SP-85	Model Number
SP-85SS	Model Number



Serial Number Label

SNOWEX www.snowexproducts.com

MODEL NO.
SP-85

SERIAL NO.
YYMMDDL#####SP-85

CE
Max. Capacity 160 lb

or

SNOWEX www.snowexproducts.com

MODEL NO.
SP-85SS

SERIAL NO.
YYMMDDL#####SP-85SS

CE
Max. Capacity 160 lb

SAFETY

SAFETY PRECAUTIONS

Improper installation and operation could cause personal injury and/or equipment and property damage. Read and understand labels and this Owner's Manual before installing, operating, or making adjustments.

WARNING

- Always make sure personnel are clear of areas of danger when using equipment.
- Before working with the spreader, secure all loose-fitting clothing and unrestrained hair.
- Do not climb into or ride on spreader.
- Never attempt to lift a unit with material in it.
- Always inspect unit for defects and replace any broken, missing, or worn parts immediately.
- Always check areas to be spread to be sure no hazardous conditions or substances are in the area.

CAUTION

- Do not operate a spreader in need of maintenance.
- Before operating the spreader, reassemble any parts or hardware removed for cleaning or adjusting.
- Before operating the spreader, remove materials such as cleaning rags, brushes, and hand tools from the spreader.
- Never use wet materials or materials with foreign debris with this spreader. This unit is designed to handle dry, clean, free-flowing material.

CAUTION



DO NOT leave unused material in hopper. Material can freeze or solidify, causing unit to not work properly. Empty and clean after each use.

NOTE: Lubricate grease fittings after each use. Use a good quality multipurpose grease.

PERSONAL SAFETY

- Wear only snug-fitting clothing while working on your spreader.
- Do not wear jewelry or a necktie, and secure long hair.
- Wear safety goggles to protect your eyes from dirt and dust.

NOISE

Airborne noise emission during use is below 70 dB(A) for the spreader operator.

VIBRATION

Operating spreader vibration does not exceed 2.5 m/s² to the hand-arm or 0.5 m/s² to the whole body.

LOADING

LOADING YOUR SPREADER

WARNING

Do not overload spreader. Use chart below to calculate weight of material. Weights of material are an average for dry materials.

WARNING

Never remove spreader from vehicle with material in it as this could cause damage to the frame assembly.

WARNING

Never leave materials in hopper for long periods of time; salt is hygroscopic, will attract atmospheric moisture and harden up.

CAUTION



DO NOT leave unused material in hopper. Material can freeze or solidify, causing unit to not work properly. Empty and clean after each use.

Capacity: 2 ft³ hopper

MATERIAL WEIGHTS

CAUTION



Read and adhere to manufacturer's ice-control material package labeling including Material Safety Data Sheet requirements.

Material	Density		
	(lb/ft ³)	(lb/yd ³)	(kg/m ³)
Salt	80	2160	1282
Sand	100	2700	1602

Material densities are approximate and are based on dry, loose material. It is the responsibility of the operator to know the weight of the material to be spread and the vehicle/spreader carrying capacity.

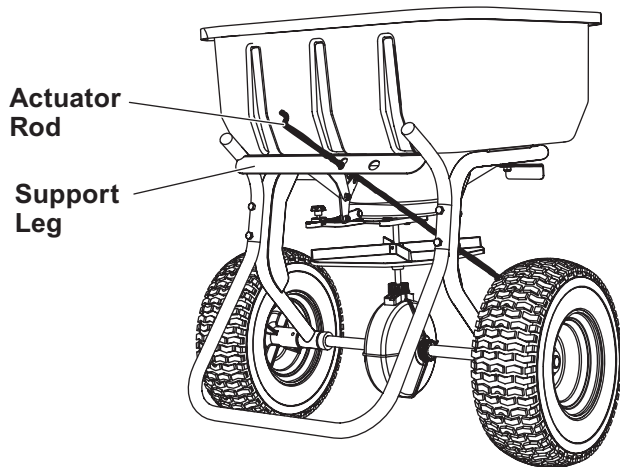
ASSEMBLY

ASSEMBLY INSTRUCTIONS

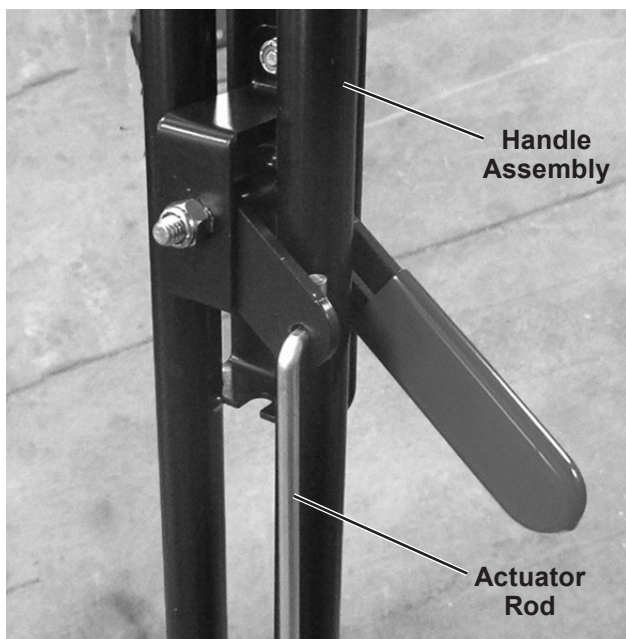
⚠ WARNING

Use safety glasses and gloves when inflating and installing the tires. Use manual pump only to inflate. Refer to the tire sidewall for manufacturer's recommended pressure. Do not exceed the maximum inflation pressure.

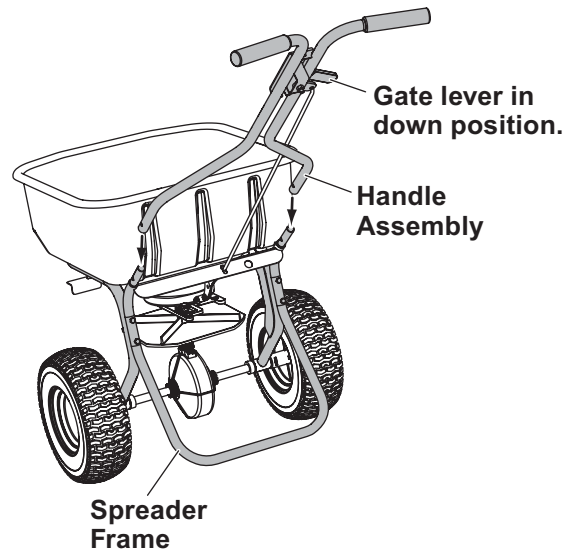
1. Tires are not fully inflated when shipped. Inflate tires using a manual pump.
2. Slide the actuator rod down through the slot in the spreader support leg at the rear of the spreader.



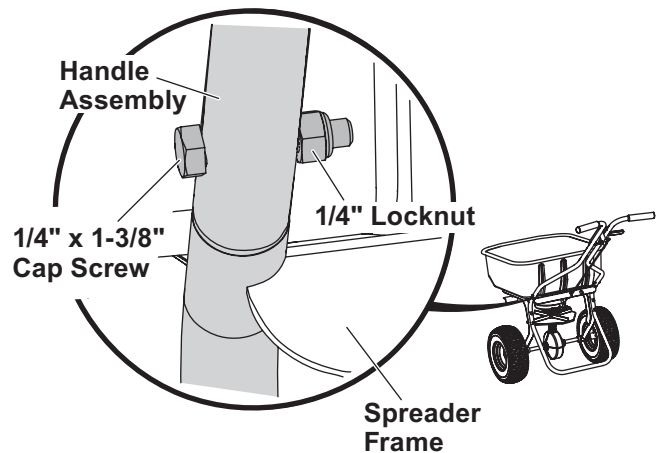
3. Attach the actuator rod to the handle assembly.



4. With the gate lever in the down position, slide the handle assembly onto the spreader frame.

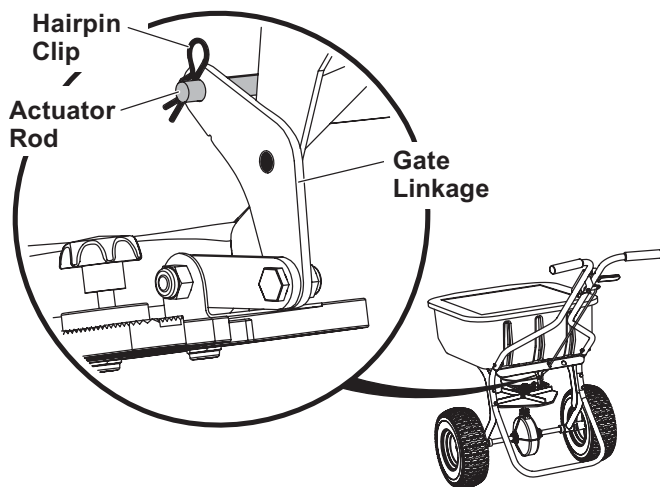


5. Secure with the 1/4" x 1-3/8" cap screws and 1/4" locknuts from the hardware kit.



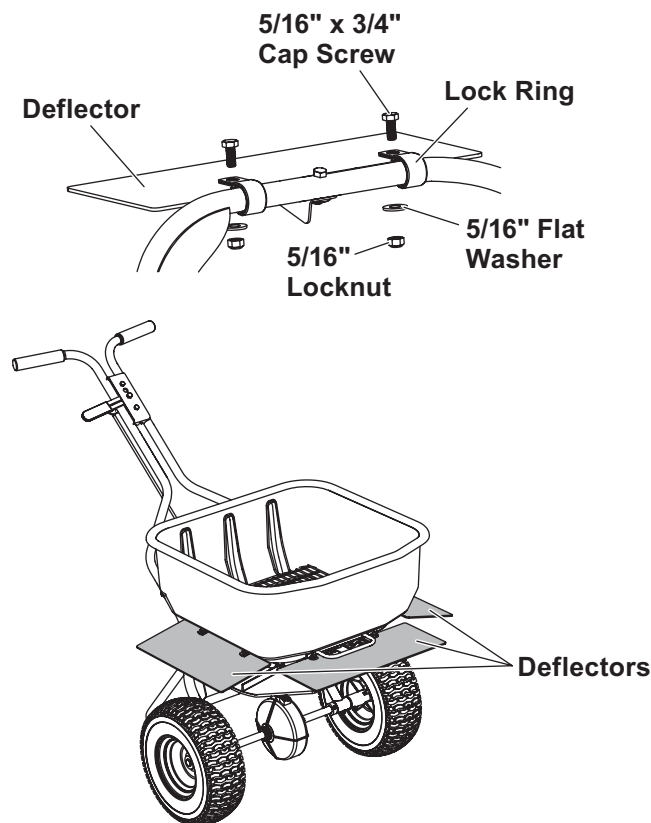
ASSEMBLY

6. Attach the actuator rod to the gate linkage. Secure with the hairpin clip.

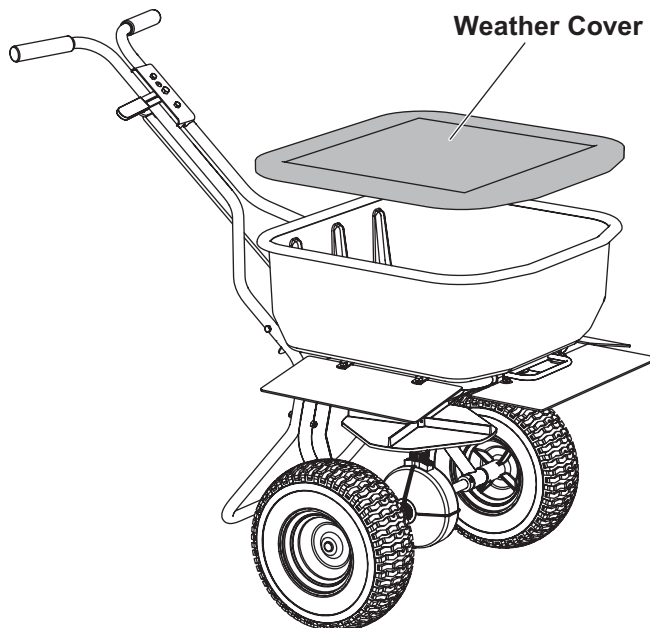


7. Install the deflectors using the supplied 5/16" x 3/4" cap screws, 5/16" flat washers, and 5/16" locknuts. Verify the deflectors sit on top of the deflector support brackets.

NOTE: Install the notched deflector to the front of the spreader, beneath the lift handle.



8. Place the weather cover on the hopper.



9. After assembly is complete, tighten all hardware.

OPERATING THE SPREADER

USING THE SPREADER

Use the gate lever to adjust the amount of material flowing through the gate.

- To increase the material amount, lower the lever.
- To decrease the material amount, raise the lever.

SPREADING TIPS



⚠ CAUTION

DO NOT leave unused material in hopper. Material can freeze or solidify, causing unit to not work properly. Empty and clean after each use.

- Use care when operating spreader near pedestrians.
- Spread ice melting materials "with the storm" to prevent unmanageable levels of ice from building.
- For a wider pass, increase walking pace.
- For a heavier pass, walk slower.
- Calculate spread pattern when near vegetation.

ACCESSORIES

The following accessory is available from your distributor.

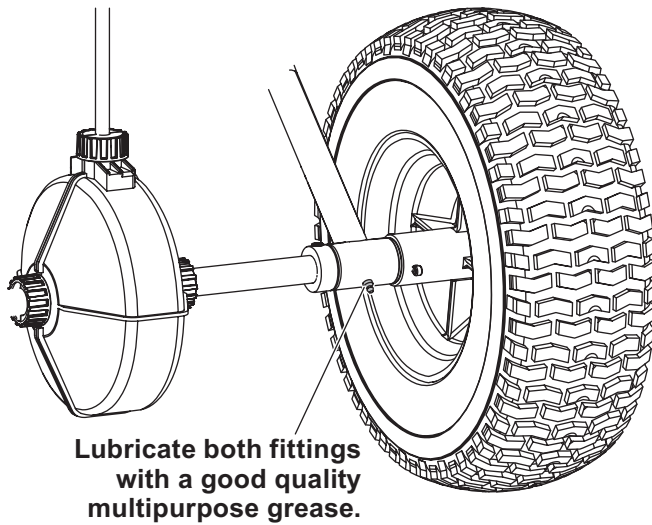
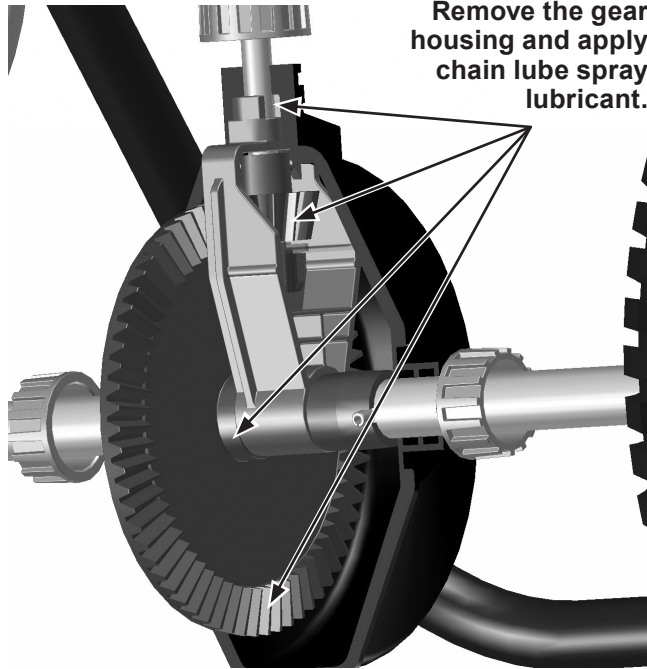
Poly Deflector Kit (PDK-020)

Provides a tighter spread pattern for areas such as sidewalks and walkways.

MAINTENANCE

LUBRICATION

To keep the spreader running smoothly, observe the following recommendations.



NOTE: Gears and axles must be lubricated and greased every 20 hours of use.

STORAGE & MAINTENANCE

⚠ WARNING

Never remove spreader from vehicle with material in it as this could cause damage to the frame assembly.

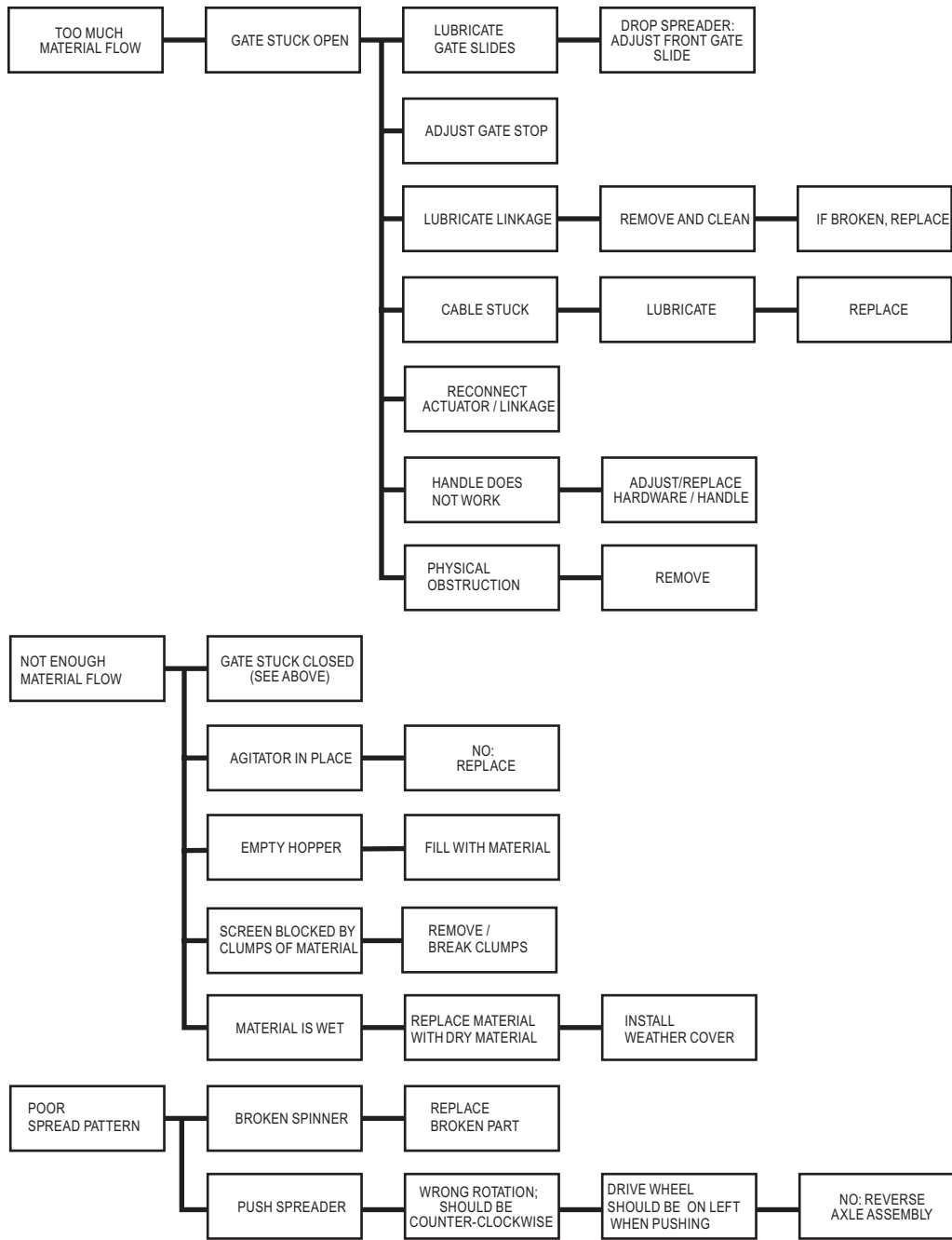
⚠ WARNING

Never leave materials in hopper for long periods of time; salt is hygroscopic, will attract atmospheric moisture and harden up.

NOTE: After 5 to 10 hours of spreader usage, retighten all fasteners.

TROUBLESHOOTING

MODEL #SP-85 & SP-85SS





TrynEx International
531 Ajax Drive
Madison Heights, MI 48071-2429
www.snowexproducts.com

 A DIVISION OF DOUGLAS DYNAMICS, LLC



This product conforms to EU Machinery Directive 2006/42/EC.

Copyright © 2018 Douglas Dynamics, LLC. All rights reserved. This material may not be reproduced or copied, in whole or in part, in any printed, mechanical, electronic, film, or other distribution and storage media, without the written consent of TrynEx International, LLC. Authorization to photocopy items for internal or personal use by TrynEx International outlets or spreader owner is granted.

TrynEx International reserves the right under its product improvement policy to change construction or design details and furnish equipment when so altered without reference to illustrations or specifications used. TrynEx International may require or recommend optional equipment for spreaders. TrynEx International offers a limited warranty for all spreaders and accessories. See separately printed page for this important information. The following is a registered (®) trademark of Douglas Dynamics, LLC: SnowEx®.

Printed in U.S.A.