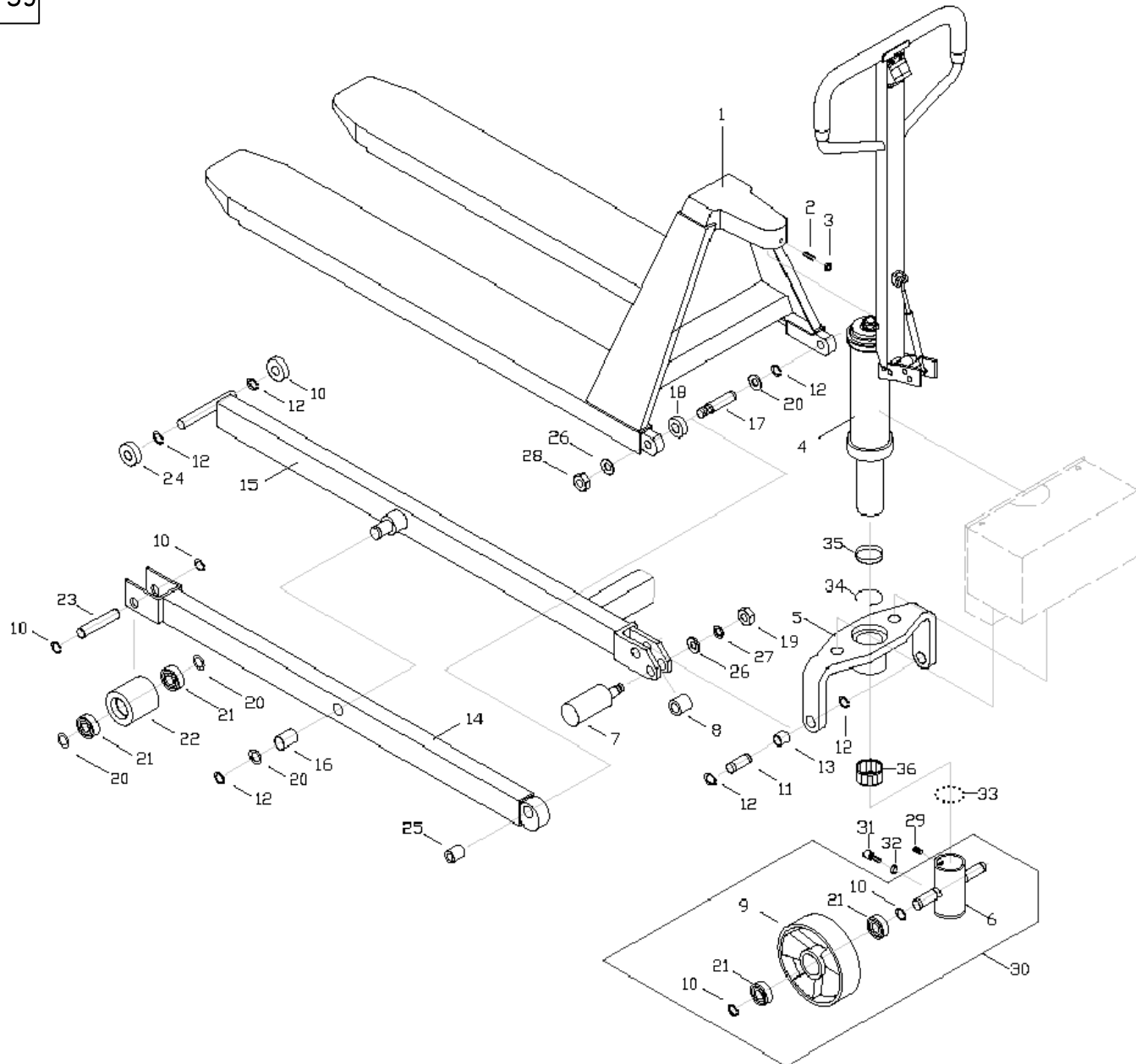


REPLACEMENT PARTS LIST



ITEM	PART NO.	DESCRIPTION	QTY.
1	270064	27"X48" FORK FRAME	1
1	270599	21"X48" FORK FRAME	1
2	270066	SCREW	1
3	270067	NUT	1
4	270654	CYLINDER UNIT	1
*5	270071	HOLD YOKE (FOR 272937)	1
	270346	HOLD YOKE (FOR 272939)	1
6	270072	WHEEL YOKE	1
7	270147	CENTRIFUGAL AXLE	2
8	270074	SPACER	2
9	270078	STEERING WHEEL	2
10	270079	SNAP RING	8
11	270080	PIN	2
12	270081	SNAP RING	12
13	270082	BUSH	2
14	270062	27" LEG	1
	270555	21" LEG	1
15	270085	27" LEG	1
	270083	21" LEG	1
16	270086	BUSH	2
17	270088	PIN	2
18	270089	WASHER	2
19	270090	NUT	2
20	270091	WASHER	8
21	270092	BALL BEARING	8
22	270093	FRONT WHEEL	2
23	270094	WHEEL AXLE	2
24	270095	ROLLER	4
25	270098	BUSH	2
26	270099	WASHER	4
27	270139	SPRING WASHER	2
28	270282	LOCK NUT	2
29	270592	SCREW	1
30		STEERING WHEEL ASS'Y	1
31	270593	SCREW	1
32	270594	NUT	1
33	270595	BALLS	43
34	270596	SNAP RING	1
35	270597	BUSHING	1
36	270598	NEEDLE BEARING	1
36AA	270140	TENSION SPRING	1

NOTE: Items 5, 14 & 15 have 2 different sizes, which are dependent on the unit it is being replaced on.

THIS DRAWING IN ALL PARTICULARS IS WESCO INDUSTRIAL PRODUCTS, LLC PROPERTY. ALL RIGHTS OF DESIGN, INVENTION OR USE OF ARE RESERVED.

**PRINT ISSUED**

JUN 14, 2019

WESCO MANUFACTURING  
ENGINEERING DEPARTMENT

**WESCO INDUSTRIAL PRODUCTS, LLC**  
NORTH WALES PENNA. 19454

PART NAME: 272937 & 272939  
TELESCOPING ELEC HIGH LIFT

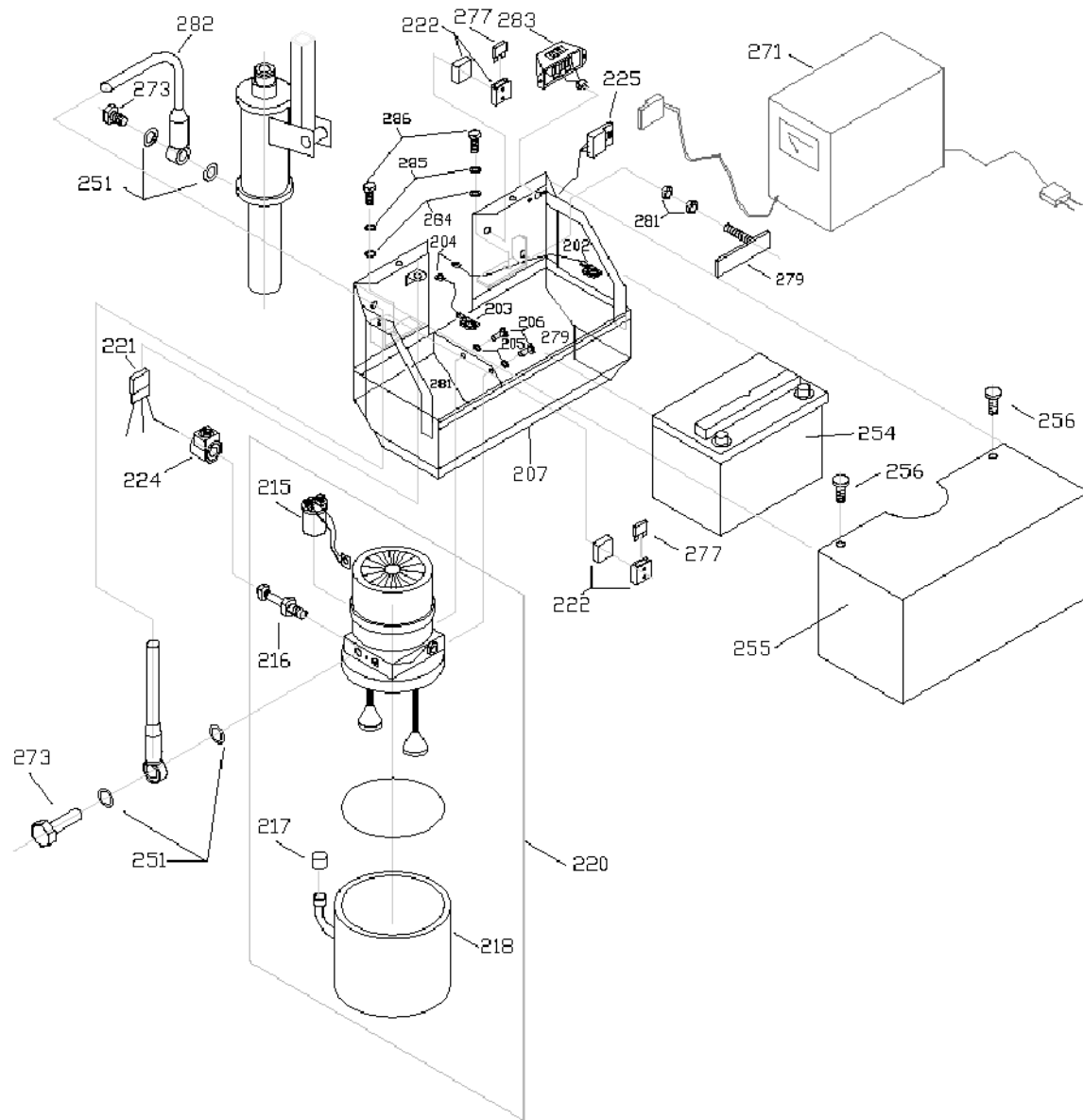
TOLERANCE UNLESS OTHERWISE SPECIFIED

FRACTION	3 PLACE DECIMAL	2 PLACE DECIMAL
± 1/64	± .005	± .01
ANGULAR ± 1-1/2'	SHEET 1 OF 7	

SCALE: 272937/39

REV. APP. ECN & DATE REVISIONS

ELECTRIC CONTROL ASSEMBLY  
FOR UNITS MANUFACTURED BEFORE 08/2010 OR AFTER 06/2015



REPLACEMENT PARTS LIST			
ITEM	PART NO.	DESCRIPTION	QTY.
202	270619	BATTERY TERMINAL (+)	1
203	270624	BATTERY TERMINAL (-)	1
204	270625	TERMINAL	2
205	270626	WASHER	2
206	270627	SCREW	2
207	270628	ELECTRIC CONTROL CASE	1
215	270666	RELAY	1
216	270860	CONTROL VALVE	1
217		CAP	1
218		OIL TANK	1
220	270667	PUMP STATION ASSEMBLY (INCLUDES: 215,216,217,218)	1
221	270635	SWITCH SOCKET	1
222	270636	FUSE BOX	2
224	270671	MAGNET	1
*225	270637	RECHARGER SOCKET, GRAY	1
251	270638	WASHER	4
**254	172200	BATTERY, 12V/63Ah (FOR UNITS MANUFACTURED BEFORE 03/2017)	1
	172196	BATTERY, 12V/63Ah (FOR UNITS MANUFACTURED AFTER 03/2017)	
255	270142	COVER	1
256	270639	SCREW	2
*271	270645	RECHARGER, 12V/10A	1
273	270646	SCREW	2
277	270221	FUSE, 5A	2
279	270647	BATTERY FIXING SCREW	2
281	270648	NUT	2
282	270649	HIGH PRESSURE OIL PIPE	1
283	270650	VOLTAGE METER	1
284	270672	WASHER	2
285	270673	WASHER	2
286	270674	SCREW	2

\*Units manufactured before 08/2010 or after 06/2015 use P/N's 270637 & 270645.  
Units manufactured between 08/2010 & 06/2015 use P/N's 270699 & 270680.

\*\*Units manufactured before 03/2017 use P/N 172190.  
Units manufactured after 03/2017 use P/N 172196

THIS DRAWING IN ALL PARTICULARS IS WESCO INDUSTRIAL PRODUCTS, LLC PROPERTY. ALL RIGHTS OF DESIGN, INVENTION OR USE OF ARE RESERVED.

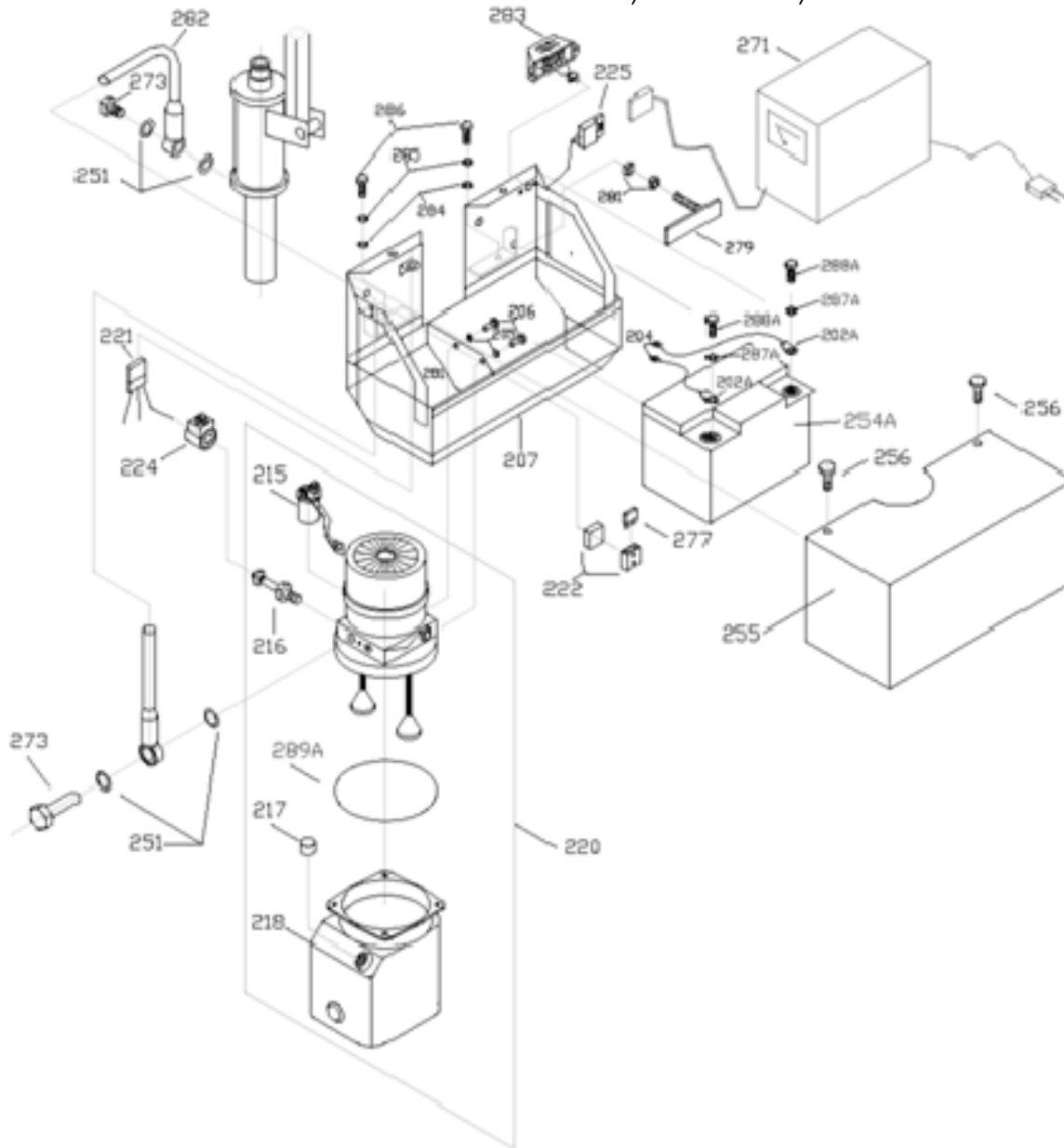
**PRINT ISSUED**

JUN 14, 2019

WESCO MANUFACTURING  
ENGINEERING DEPARTMENT

APP	<b>WESCO INDUSTRIAL PRODUCTS, LLC</b>	
	NORTH WALES PENNA. 19454	
	PART NAME	DRAWN:
	272937 & 272939 TELESCOPING ELEC HIGH LIFT	CHECKED:
REV	TOLERANCE UNLESS OTHERWISE SPECIFIED	
	FRACTION	3 PLACE DECIMAL 2 PLACE DECIMAL
	± 1/64	± .005 ± .01
	ANGULAR ± 1-1/2'	SHEET 2 OF 7
BREAK ALL SHARP EDGES AND REMOVE ALL BURRS		SCALE:
		272937/39

ELECTRIC CONTROL ASSEMBLY  
FOR UNITS MANUFACTURED BETWEEN 08/2010 & 06/2015



REPLACEMENT PARTS LIST

ITEM	PART NO.	DESCRIPTION	QTY.
202	270619	BATTERY TERMINAL (+)	1
204	270625	TERMINAL	2
205	270626	WASHER	2
206	270627	SCREW	2
207	270628	ELECTRIC CONTROL CASE	1
215	270666	RELAY	1
216	270860	CONTROL VALVE	1
217		CAP	1
218	270663	OIL TANK	1
220	270667	PUMP STATION ASSEMBLY (INCLUDES: 215,216,217,218)	1
221	270635	SWITCH SOCKET	1
222	270636	FUSE BOX	2
224	270671	MAGNET	1
*225	270699	RECHARGER SOCKET, RED	1
251	270638	WASHER	4
**254A	172190	BATTERY, 12V/63Ah (FOR UNITS MANUFACTURED AFTER 03/2017)	1
255	270142	COVER	1
256	270639	SCREW	2
*271	270680	RECHARGER, 12V/10A	1
273	270646	SCREW	2
277	270221	FUSE, 5A	2
279	270647	BATTERY FIXING SCREW	2
281	270648	NUT	2
282	270649	HIGH PRESSURE OIL PIPE	1
283	270650	VOLTAGE METER	1
284	270672	WASHER	2
285	270673	WASHER	2
286	270674	SCREW	2
287A		WASHER	2
288A		SCREW 6	2
289A	270862	O-RING	1

\*Units manufactured before 08/2010 or after 06/2015 use P/N's 270637 & 270645.  
Units manufactured between 08/2010 & 06/2015 use P/N's 270699 & 270680.

\*\*Units manufactured before 03/2017 use P/N's 172190.  
Units manufactured after 03/2017 use P/N's 172196

THIS DRAWING IN ALL PARTICULARS IS WESCO INDUSTRIAL PRODUCTS, LLC PROPERTY. ALL RIGHTS OF DESIGN, INVENTION OR USE OF ARE RESERVED.

PRINT ISSUED

JUN 14, 2019

WESCO MANUFACTURING  
ENGINEERING DEPARTMENT

WESCO INDUSTRIAL PRODUCTS, LLC  
NORTH WALES PENNA. 19454

PART NAME  
272937 & 272939  
TELESCOPING ELEC HIGH LIFT

TOLERANCE UNLESS OTHERWISE SPECIFIED

FRACTION	3 PLACE DECIMAL	2 PLACE DECIMAL
± 1/64	± .005	± .01

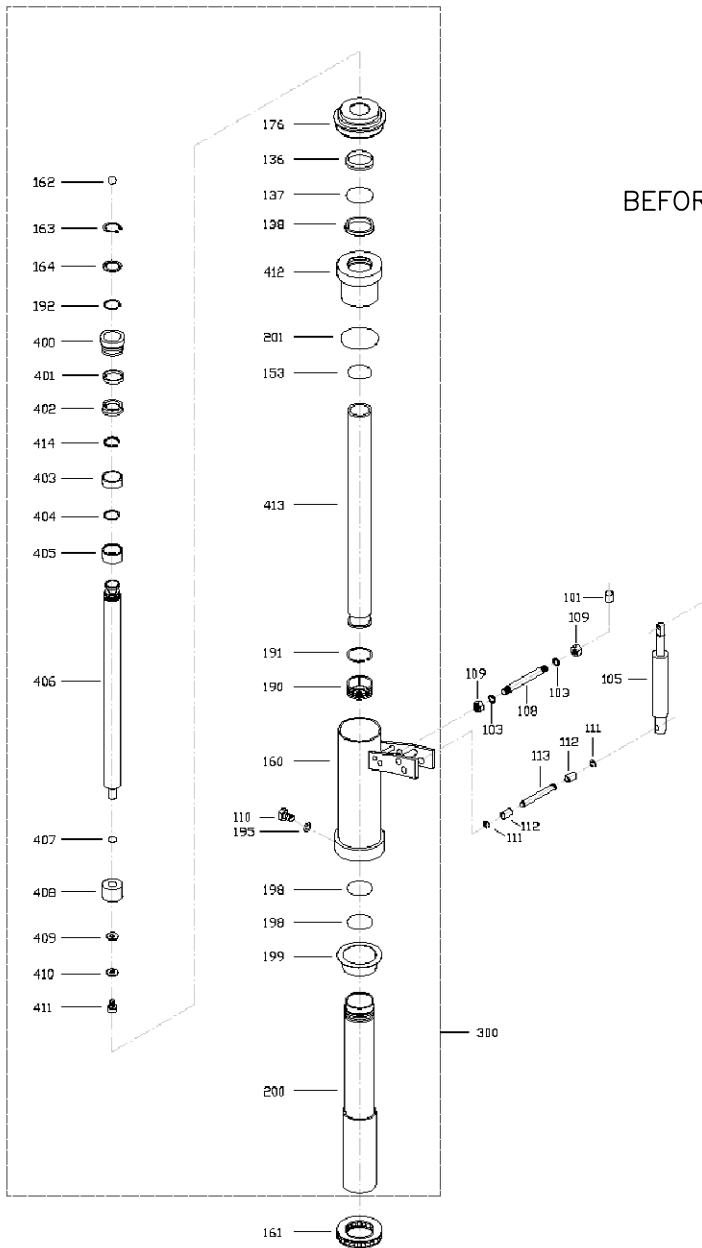
ANGULAR ± 1-1/2°	SHEET 3 OF 7
------------------	--------------

BREAK ALL SHARP EDGES AND REMOVE ALL BURRS

DRAWN:  
CHECKED:  
APP. ENGR.

SCALE:

272937/39 REV



PUMP ASSEMBLY  
FOR UNITS MANUFACTURED  
BEFORE 08/2010 OR AFTER 06/2015

REPLACEMENT PARTS LIST

ITEM	PART NO.	DESCRIPTION	QTY.
101	270684	SPACER	2
103	270685	WASHER	2
105	270140	TENSION SPRING	1
108	270286	PIN	1
109	270686	NUT	2
110	270302	ADJUSTING SCREW	1
111	270304	SNAP RING	2
112	270305	SLEEVE	2
113	270306	PIN	1
*	136	SCAPER RING	1
*	137	270308 O-RING	1
*	138	270309 Y-RING	1
*	153	270310 O-RING	1
154	270311	CYLINDER HEAD	1
155	270315	BUSHING	1
156	270316	CYLINDER	1
157	270317	PLATE	1
160	270318	PUMP HOUSING	1
161	270319	THRUST BEARING	1
162	270320	BALL	1
163	270321	SNAP RING	1
164	270322	WASHER	1
165	270323	BRONZE BUSHING	1
166	270659	PISTON ROD	1
167	270325	O-RING	1
169	270326	Y-RING	1
170	270327	WASHER	1
171	270328	PISTON	1
172	270329	SCREW	1
176	270323	RUBBER SLEEVE	1
190	270332	COPPER PISTON	1
191	270333	SNAP RING	1
192	270334	SNAP RING	1
195	270336	WASHER	1
*	198	270588 O-RING	2
199	270589	BUSHING	1
200	270617	CYLINDER	1
*	201	270618 BACK-UP RING	1
400		BRONZE BUSHING	1
*	401	BACK-UP RING	1
*	402	Y-RING	1
403		BUSHING	1
404		SNAP RING	1
405		BUSHING	2
406	270892	PISTON ROD	1
*	407	270664 PISTON ROD	1
408	270852	PISTON	1
409	270853	WASHER	1
410	270854	WASHER	1
411		SCREW	1
412		CYLINDER HEAD	1
413		CYLINDER	1
414		SNAP RING	1
300	270654	REPLACEMENT PUMP	1

\*SEAL KIT FOR UNITS  
MANUFACTURED BEFORE 08/2010 \*  
OR AFTER 06/2015 ONLY

SEAL KIT	270217	SEAL KIT (INCLUDES ITEMS 136, 137, 138, 153, 198 [2], 201, 401, 402, 407)	1
----------	--------	---	---

THIS DRAWING IN ALL PARTICULARS IS WESCO INDUSTRIAL PRODUCTS, LLC PROPERTY. ALL RIGHTS OF DESIGN, INVENTION OR USE OF ARE RESERVED.

**PRINT ISSUED**

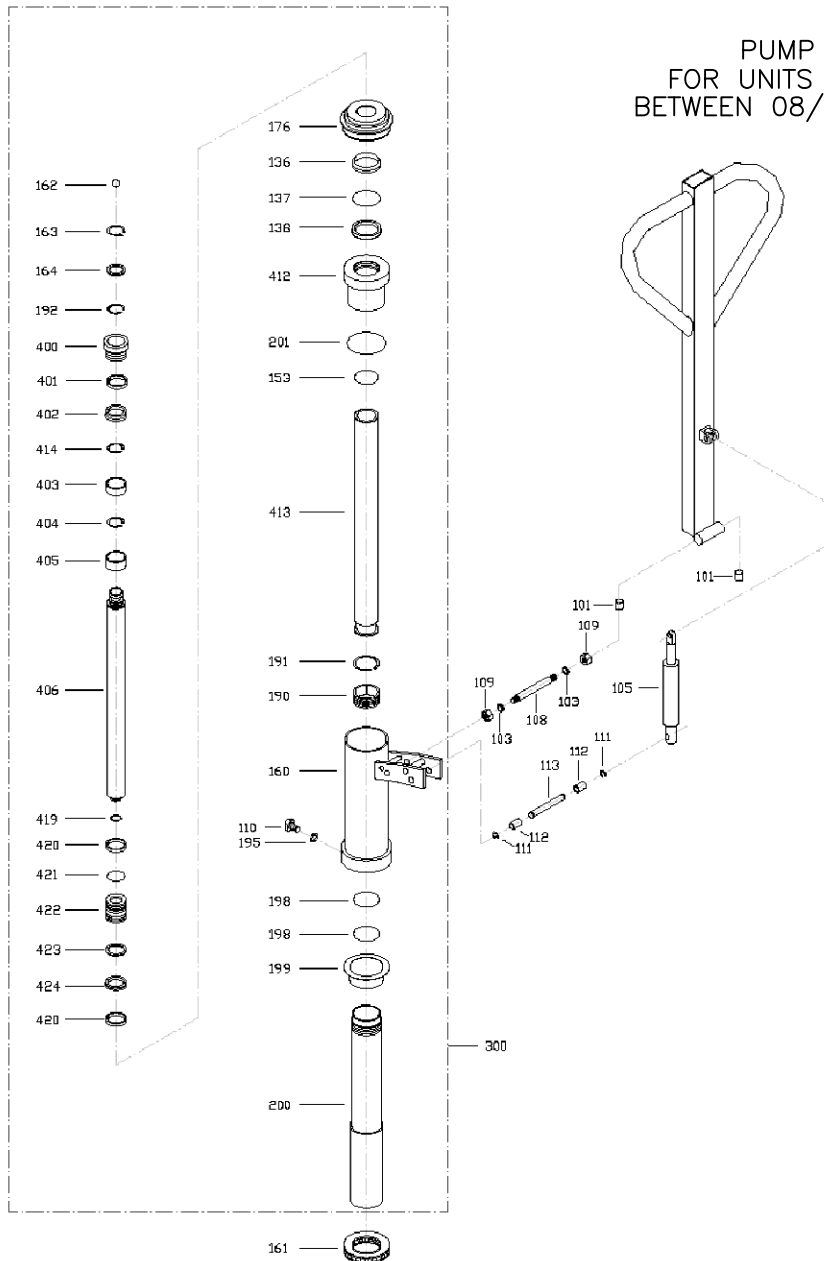
JUN 14, 2019

WESCO MANUFACTURING  
ENGINEERING DEPARTMENT

**WESCO INDUSTRIAL PRODUCTS, LLC**  
NORTH WALES PENNA. 19454

REV.	ECON & DATE	REVISIONS	APP
PART NAME		272937 & 272939	DRAWN:
TELESCOPING ELEC HIGH LIFT			CHECKED:
TOLERANCE UNLESS OTHERWISE SPECIFIED			APP. ENGR.
FRACTION	3 PLACE DECIMAL	2 PLACE DECIMAL	SCALE:
± 1/64	± .005	± .01	
ANGULAR ± 1-1/2'	SHEET 4	OF 7	
BREAK ALL SHARP EDGES AND REMOVE ALL BURRS			272937/39

PUMP ASSEMBLY  
FOR UNITS MANUFACTURED  
BETWEEN 08/2010 & 06/2015



REPLACEMENT PARTS LIST			
ITEM	PART NO.	DESCRIPTION	QTY.
101	270684	SPACER	2
103	270685	WASHER	2
105	270140	TENSION SPRING	1
108	270286	PIN	1
109	270686	NUT	2
110	270302	ADJUSTING SCREW	1
111	270304	SNAP RING	2
112	270305	SLEEVE	2
113	270306	PIN	1
*	136	SCAPER RING	1
*	137	270308 O-RING	1
*	138	270309 Y-RING	1
*	153	270310 O-RING	1
154	270311	CYLINDER HEAD	1
155	270315	BUSHING	1
156	270316	CYLINDER	1
157	270317	PLATE	1
160	270318	PUMP HOUSING	1
161	270319	THRUST BEARING	1
162	270320	BALL	1
163	270321	SNAP RING	1
164	270322	WASHER	1
165	270323	BRONZE BUSHING	1
166	270659	PISTON ROD	1
167	270325	O-RING	1
169	270326	Y-RING	1
170	270327	WASHER	1
171	270328	PISTON	1
172	270329	SCREW	1
176	270323	RUBBER SLEEVE	1
190	270332	COPPER PISTON	1
191	270333	SNAP RING	1
192	270334	SNAP RING	1
195	270336	WASHER	1
*	198	270588 O-RING	2
199	270589	BUSHING	1
200	270617	CYLINDER	1
*	201	270618 BACK-UP RING	1
400		BRONZE BUSHING	1
*	401	BACK-UP RING	1
*	402	Y-RING	1
403		BUSHING	1
404		SNAP RING	1
405		BUSHING	2
406	270892	PISTON ROD	1
412		CYLINDER HEAD	1
413		CYLINDER	1
414		SNAP RING	1
419		SNAP RING	1
*	420	BUSHING	2
*	421	O-RING	1
422		PISTON	1
*	423	BACK-UP RING	1
*	424	Y-RING	1
300	270654	REPLACEMENT PUMP	1

\*SEAL KIT FOR UNITS  
MANUFACTURED BETWEEN  
08/2010 & 06/2015 ONLY

SEAL KIT	270477	SEAL KIT (INCLUDES ITEMS 136, 137, 138, 153, 198 [2], 201, 401, 402, 420 [2], 421, 423, 424)	1
----------	--------	--	---

THIS DRAWING IN ALL PARTICULARS IS WESCO INDUSTRIAL PRODUCTS, LLC PROPERTY. ALL RIGHTS OF DESIGN, INVENTION OR USE OF ARE RESERVED.

PRINT ISSUED

JUN 14, 2019

WESCO MANUFACTURING  
ENGINEERING DEPARTMENT

WESCO INDUSTRIAL PRODUCTS, LLC  
NORTH WALES PENNA. 19454

PART NAME: 272937 & 272939  
TELESCOPING ELEC HIGH LIFT

REVISIONS: APP

TOLERANCE UNLESS OTHERWISE SPECIFIED

FRACTION	3 PLACE DECIMAL	2 PLACE DECIMAL
± 1/64	± .005	± .01
ANGULAR ± 1-1/2'	SHEET 5 OF 7	

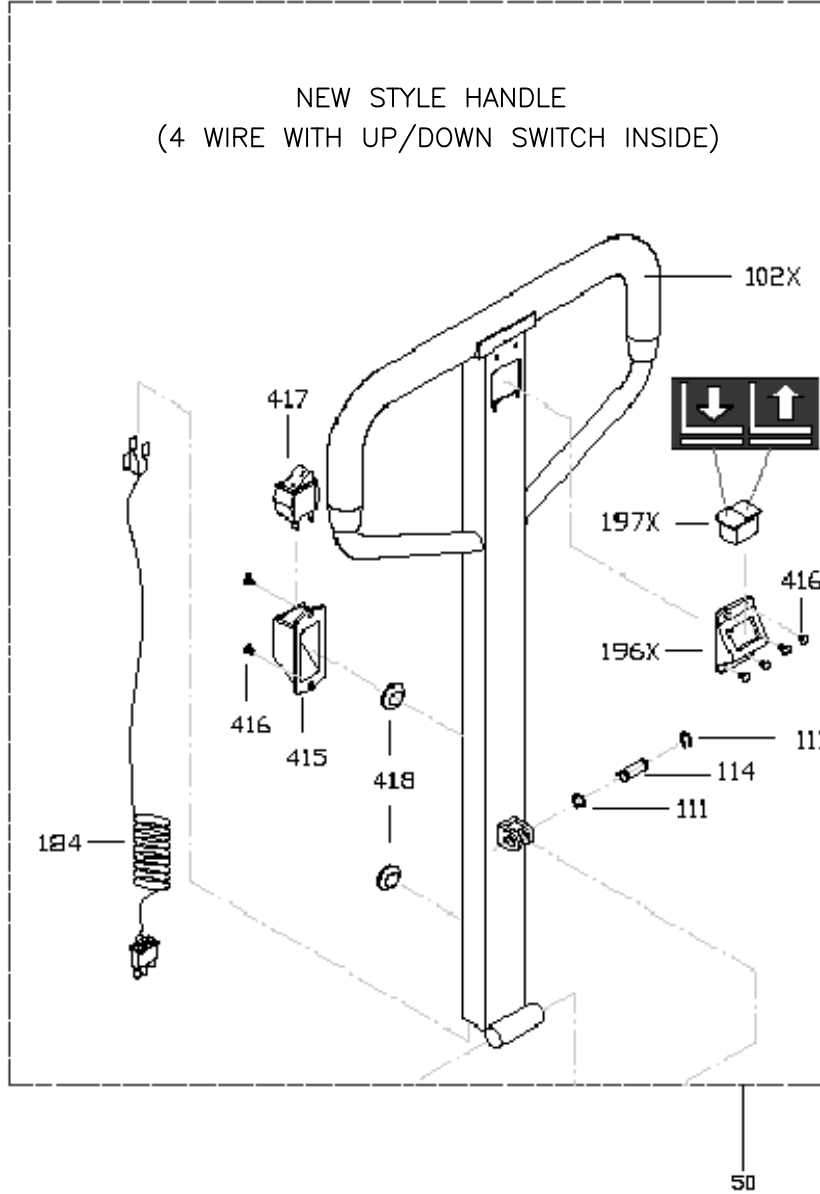
SCALE: 272937/39

BREAK ALL SHARP EDGES AND REMOVE ALL BURRS

REPLACEMENT PARTS LIST

ITEM	PART NO.	DESCRIPTION	QTY.
102X	270342	HANDLE	1
111	270304	SNAP RING	2
114	270307	PIN	1
*	270396	KIT: ITEMS 184 & 197X	1
184	*	SWITCH WIRE & PLUG	1
196X	270476	UP/DOWN SWITCH HOUSING (4 WIRE)	1
197X	*	UP/DOWN SWITCH (4 WIRE)	1
415	270668	ON/OFF SWITCH HOUSING	1
416	270669	SCREW	6
417	270665	ON/OFF SWITCH	1
418	270670	INSULATED WASHER	2
50	270651	HANDLE ASSEMBLY	1

NEW STYLE HANDLE  
(4 WIRE WITH UP/DOWN SWITCH INSIDE)



THIS DRAWING IN ALL PARTICULARS IS WESCO INDUSTRIAL PRODUCTS, LLC PROPERTY. ALL RIGHTS OF DESIGN, INVENTION OR USE OF ARE RESERVED.

PRINT ISSUED

JUN 14, 2019

WESCO MANUFACTURING  
ENGINEERING DEPARTMENT

WESCO INDUSTRIAL PRODUCTS, LLC  
NORTH WALES PENNA. 19454

PART NAME 272937 & 272939  
TELESCOPING ELEC HIGH LIFT

TOLERANCE UNLESS OTHERWISE SPECIFIED

FRACTION	3 PLACE DECIMAL	2 PLACE DECIMAL
± 1/64	± .005	± .01

ANGULAR ± 1-1/2° SHEET 6 OF 7

BREAK ALL SHARP EDGES AND REMOVE ALL BURRS

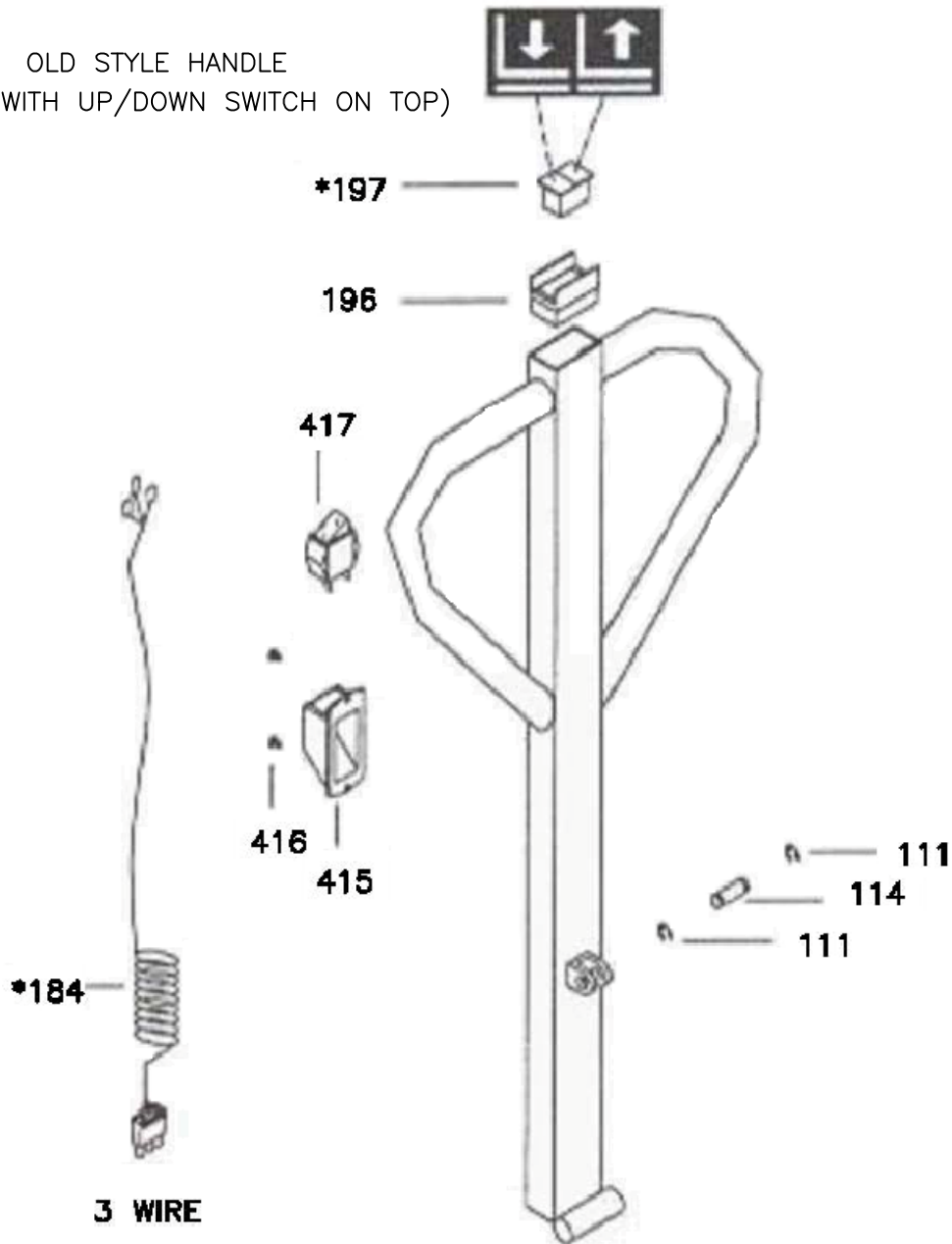
DRAWN:  
CHECKED:  
APP. ENGR.

SCALE:

272937/39

REV. REVISIONS  
ECN & DATE  
APP

OLD STYLE HANDLE  
(3 WIRE WITH UP/DOWN SWITCH ON TOP)



REPLACEMENT PARTS LIST

ITEM	PART NO.	DESCRIPTION	QTY.
102	270283	HANDLE	1
111	270304	SNAP RING	2
114	270307	PIN	1
*	270331	KIT: ITEMS 184 & *197	1
184	*	SWITCH WIRE & PLUG (3 WIRE)	1
196	270337	UP/DOWN SWITCH HOUSING (3 WIRE)	1
197	*	UP/DOWN SWITCH (3 WIRE)	1
415	270668	ON/OFF SWITCH HOUSING	1
416	270669	SCREW	2
417	270665	ON/OFF SWITCH	1

THIS DRAWING IN ALL PARTICULARS IS WESCO INDUSTRIAL PRODUCTS, LLC PROPERTY. ALL RIGHTS OF DESIGN, INVENTION OR USE OF ARE RESERVED.

**PRINT ISSUED**

JUN 14, 2019

WESCO MANUFACTURING  
ENGINEERING DEPARTMENT

REV. REVISIONS ECN & DATE APP	<b>WESCO INDUSTRIAL PRODUCTS, LLC</b>	
	NORTH WALES PENNA. 19454	
	PART NAME 272937 & 272939 TELESCOPING ELEC HIGH LIFT	
	DRAWN: CHECKED: APP. ENGR.	
TOLERANCE UNLESS OTHERWISE SPECIFIED		
FRACTION 3 PLACE DECIMAL 2 PLACE DECIMAL		
± 1/64 ± .005 ± .01		
ANGULAR ± 1-1/2° SHEET 7 OF 7		
BREAK ALL SHARP EDGES AND REMOVE ALL BURRS		
SCALE:		272937/39

# MANUAL & ELECTRIC HIGH LIFT LOAD CENTER ILLUSTRATION

For safe use,  
center of mass of  
load must be  
within this area

16" From end of  
forks to forward  
wheel contact  
point

Load centers forward  
of front pivot wheel  
may cause instability