



Instruction Manual

Power Drive Platform Truck

Part Number: 272413, 272414, 272415 & 272416



Note: Operator MUST read and understand these operating instructions before using this Powered Platform Truck.

Table of Contents

1	General Information	2
2	Assembly.....	2
	2.1 Battery.....	2
3	Operation.....	3
	3.1 Turn on Power.....	3
	3.2 Status Check.....	3
	3.3 Forward Motion.....	3
	3.4 Stop Motion.....	3
	3.5 Reverse Motion.....	3
	3.6 Manual Motion.....	3
4	Safety Information.....	3
5	Battery Charging.....	4
6	Maintenance.....	4
	6.1 Maintenance Schedule.....	4
	6.2 Throttle Adjustment.....	4
7	Troubleshooting.....	5
8	Electrical Information.....	6
	8.1 Electrical Wiring.....	6
	8.2 Electrical Part Identification.....	6
9	Fork Frame Parts Information.....	7
	9.1 Fork Frame Parts Diagram.....	7
	9.2 Fork Frame Parts List.....	8

ATTENTION: TO INSURE SAFE AND EASY USE OF YOUR WESCO PLATFORM TRUCK, READ THESE INSTRUCTIONS ENTIRELY BEFORE USING.

Thank you for purchasing a Wesco Power Drive Platform Truck. This pallet truck features a finger tip variable speed controller, 47.25" turning radius, full perimeter bumper to help prevent wall damage and a durable white powder coat finish with black rubber deck mat. For safe and appropriate operation, please carefully read these instructions before operating the unit.



WARNING: The battery in this product contains lead. The State of California under Proposition 65 has determined that exposure to lead is known to cause cancer or birth defects or other reproductive harm. Please wash hands after use.

1. GENERAL SPECIFICATIONS

Model	Capacity	Weight	Shelf Size	Overall W x H x D	Casters	Wheel Type
272413	1,100 lbs	243 lbs	24" x 36"	24" x 43" x 38.5"	5" x 2"	10" Pneumatic
272414	1,100 lbs	254 lbs	24" x 48"	24" x 43" x 50.5"	5" x 2"	10" Pneumatic
272415	1,100 lbs	276 lbs	30" x 48"	30" x 43" x 50.5"	5" x 2"	10" Pneumatic
272416	1,100 lbs	300 lbs	30" x 60"	30" x 43" x 62.5"	5" x 2"	10" Pneumatic

Materials and specifications are subject to change without notice.

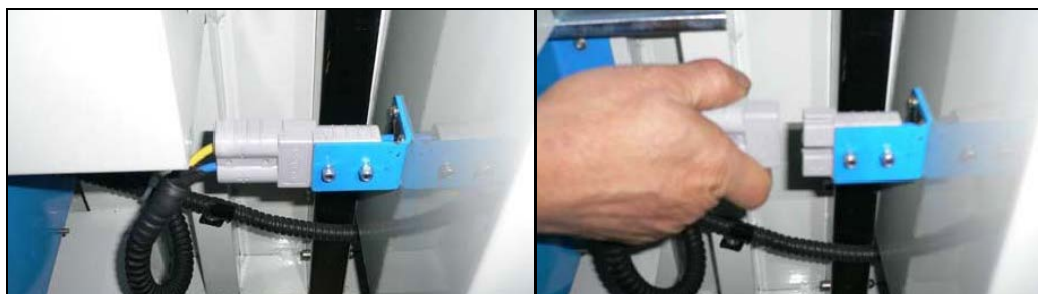
2. ASSEMBLY

2.1 BATTERY

- Loosen the screw cap that secures the battery box



- Turn over the cart. Disconnect the connector. Pull the battery box from the track.



CAUTION: Disconnect before removing battery.

3. OPERATION

3.1 TURN ON POWER

Insert the power key into the switch lock and turn clockwise to the "ON" position. All the battery display lights should be indicating the battery is full and ready for use.

3.2 STATUS CHECK

The status light will remain on steadily if the electric and driving systems are OK. If it flashes, check the clutch engagement first.

3.3 FORWARD MOTION

Start the Platform Truck, stand behind the tiller and hold the "bull-horns" with two hands. Looking straight ahead, press the upward throttle lever slowly to start moving forward. The speed should increase as you apply more pressure.

3.4 STOP MOTION

Slowly release the throttle lever to reduce the speed and stop the Platform Truck.

Note: For an **Emergency Stop** immediately release the throttle. The Platform Truck should stop within 4.5 feet from traveling at full speed.

Emergency Stop

In case of out-of-control, turn the power off or pull Safety Button immediately!

3.5 REVERSE MOTION

Press the downward throttle lever to slowly to start moving in the reverse direction.

3.6 MANUAL MOTION

Disengage the clutch in the transaxle. Then press the free-wheel button by your right hand to push or pull the Platform Truck.

4. SAFETY INFORMATION

- 4.1 Operator should read all warning labels and instructions before using this truck.
- 4.2 Use extreme caution when using on uneven surfaces.
- 4.3 Do not operate the platform truck unless you are familiar with the unit and have been trained or authorized to do so.
- 4.4 Do not operate the platform truck unless you have checked its condition. Check the wheels, the rollers, the draw-bar unit, the fork unit, the lever plate, etc.
- 4.5 DO NOT try to climb sharp curbs or any other obstacle exceeding 2 in (5 cm) in height.
- 4.6 DO NOT make an abrupt directional change at high speeds or while traveling on an incline
- 4.7 DO NOT attempt to make fast turns on flat surfaces.
- 4.8 DO NOT climb inclines greater than 8 degrees or a rise of 2 yards (2 m) in an 11 yard (10m) distance.
- 4.9 DO NOT back onto uneven surfaces or inclines.
- 4.10 DO NOT attempt to operate your unit in a stalled condition, such as traveling up too steep an incline. This may cause the circuit breaker or thermal cut out to trip, rendering your unit temporarily immobile.
- 4.11 DO NOT operate your unit when the red battery indicator light is flashing.
- 4.12 DO NOT turn on or use hand-held personal communication devices, such as citizens band (CB)

5. BATTERY CHARGING

To ensure the best performance and maximum battery life, frequent battery charging is recommended. The Platform Truck comes with an on-board battery charger for ease and convenience. Follow these steps for battery charging:

- 5.1 Check the console battery display.
- 5.2 On a level dry surface, turn off the power key and plug the AC cord into the charger socket located on the fiber-glass compartment. Plug the other end of the AC cord into a grounded wall outlet.
- 5.3 Charge the battery for 6-8 hours depending on the usage before charging. Disconnect the AC cord, insert key into tiller and check if all green lights are on.
- 5.3 There is no possible way to overcharge the battery since the charging voltage in the floating stage is set constant. In general, you may start charging after work and disconnect it in the next morning.

Warning: You **must turn off power** before charging; otherwise it may damage the electric circuit.

Note: In case of problems with improper display of 'Battery Life Remaining' occur, push the reset button.

6. MAINTENANCE

6.1 MAINTENANCE SCHEDULE

In order to obtain the best performance and last its service life, please maintain your unit according to the following schedule and instructions:

Daily

- Test brake effectiveness before you drive.
- Recharge batteries fully every night.

Weekly

- Check tire pressure. Pressure should be 40-50 psi.
- Check and tighten the throttle screw.

Monthly

- Check battery condition, if necessary clean battery terminals.
- Check all electrical wire connectors to eliminate loose connections.
- Tighten all exposed screws and nuts.
- Check wheel bearings by spinning tires and checking for free rotation.

6.2 THROTTLE ADJUSTMENT

- 1) Release the clutch lever, then the motor can rotate freely.
- 2) Note on the throttle control potentiometer, when the control lever is swinging, how the mount plate retains one end of the spring while the control bracket pulls the other end of the spring in the direction of rotation. As the lever rotates in the opposite direction, the other spring end is pulled in the opposite direction.
- 3) With the key in and speed set at low, rotate the throttle lever until you hear the brake release click and the motor starts running. Notice the angle rotated between the lever and the Platform Truck horn.
- 4) Rotate the throttle lever in the opposite direction until the brake release clicks, notice the angle rotated between the lever and the Platform Truck horn in this direction.
- 5) If the angles are not identical, loosen the control bracket screws, rotate the potentiometer shaft a few degrees by using a flat screw driver and then retighten it.
- 6) Repeat until the reverse, neutral, and forward are in proper ranges.
- 7) Make sure throttle control lever is parallel to the tiller handle. If the lever is not parallel, full range rotation in one direction will not be possible, resulting in loss of speed in that direction.

ATTENTION: TO INSURE SAFE AND EASY USE OF YOUR WESCO PLATFORM TRUCK, READ THESE INSTRUCTIONS ENTIRELY BEFORE USING.

7. TROUBLESHOOTING

LED CODES		EXPLANATION	PROGRAMMAR LCD DISPLAY	POSSIBLE CAUSE	
LED Off	■■■■■	No Power Or Defective Controller		1. EEPROM failure or error 2. Short in motor or in motor wiring 3. Controller failure ^	
Solid On	□	Controller Operational; No Errors			
1, 1	○ ○	Thermal Cutback Error	THERMAL CUTBACK	1. Temperature >92°C or <-25°C 2. Excessive load on vehicle 3. Operation in extreme environments 4. Electromagnetic brake not releasing	
1, 2	○ ○○	Throttle Error	THROTTLE FAULT 1	1. Throttle input wire open or shorted 2. Throttle pot defective 3. Wrong throttle type selected	
1, 3	○ ○○○	Speed Limit Error	SPD LIMIT POT FAULT	1. Speed limit pot wire(s) broken or shorted 2. Broken speed limit pot	
1, 4	○ ○○○○	Undervoltage Error	LOW BATTERY VOLTAGE	1. Battery voltage <17 volts. 2. Bad connection at battery or controller	
1, 5	○ ○○○○○	Overvoltage Error	OVERVOLTAGE	1. Battery voltage >36 volts 2. Vehicle operating with charger attached 3. Intermittent battery connection	
2, 1	○○ ○	Main Contactor Driver Off Error	MAIN OFF FAULT	1. Main contactor driver failed open.	
2, 3	○○ ○○○	Main Contactor Error	MAIN CONT FLTS	1. Main contactor driver stuck open 2. Main contactor driver error 3. Brake coil resistance too high	
2, 4	○○ ○○○○	Main Contactor Driver On Error	MAIN ON FAULT	1. Main contactor driver failed to close	
*	3, 1	○○○ ○	HPD Error Present For > 10 Seconds	PROC/WIRING FAULT	1. Misadjusted throttle 2. Broken throttle pot or throttle mechanism
	3, 2	○○○ ○○	Brake On Error	BRAKE ON FAULT	1. Electromagnetic brake driver shorted 2. Electromagnetic brake coil open
	3, 3	○○○ ○○○	Precharge Error	PRECHARGE FAULT	1. Low battery voltage 2. KSI and throttle turned on at same time
	3, 4	○○○ ○○○○	Brake Off Error	BRAKE OFF FAULT	1. Electromagnetic brake driver open 2. Electromagnetic brake coil shorted.
	3, 5	○○○ ○○○○○	HPD (High Pedal Disable) Error	HPD	1. Improper sequence of throttle and KSI, push, or inhibit inputs 2. Misadjusted throttle pot
*	4, 1	○○○○ ○	Current Sense Error	CURRENT SENSE FAULT	1. Short in motor or in motor wiring 2. Controller failure ^
*	4, 2	○○○○ ○○	Motor Voltage Error (Hardware Failsafe)	HW FAILSAFE	1. Motor voltage does not correspond to throttle request 2. Short in motor or in motor wiring 3. Controller failure ^
* #	4, 3	○○○○ ○○○	EEPROM Error	EEPROM FAULT	1. EEPROM failure or error
*	4, 4	○○○○ ○○○○	Power Section Error	POWER SECTION FAULT	1. EEPROM failure or error 2. Short in motor or in motor wiring 3. Controller failure ^

* = Must cycle keyswitch to clear

= Must use program to clear as follows: select Program menu, alter data value of any parameter

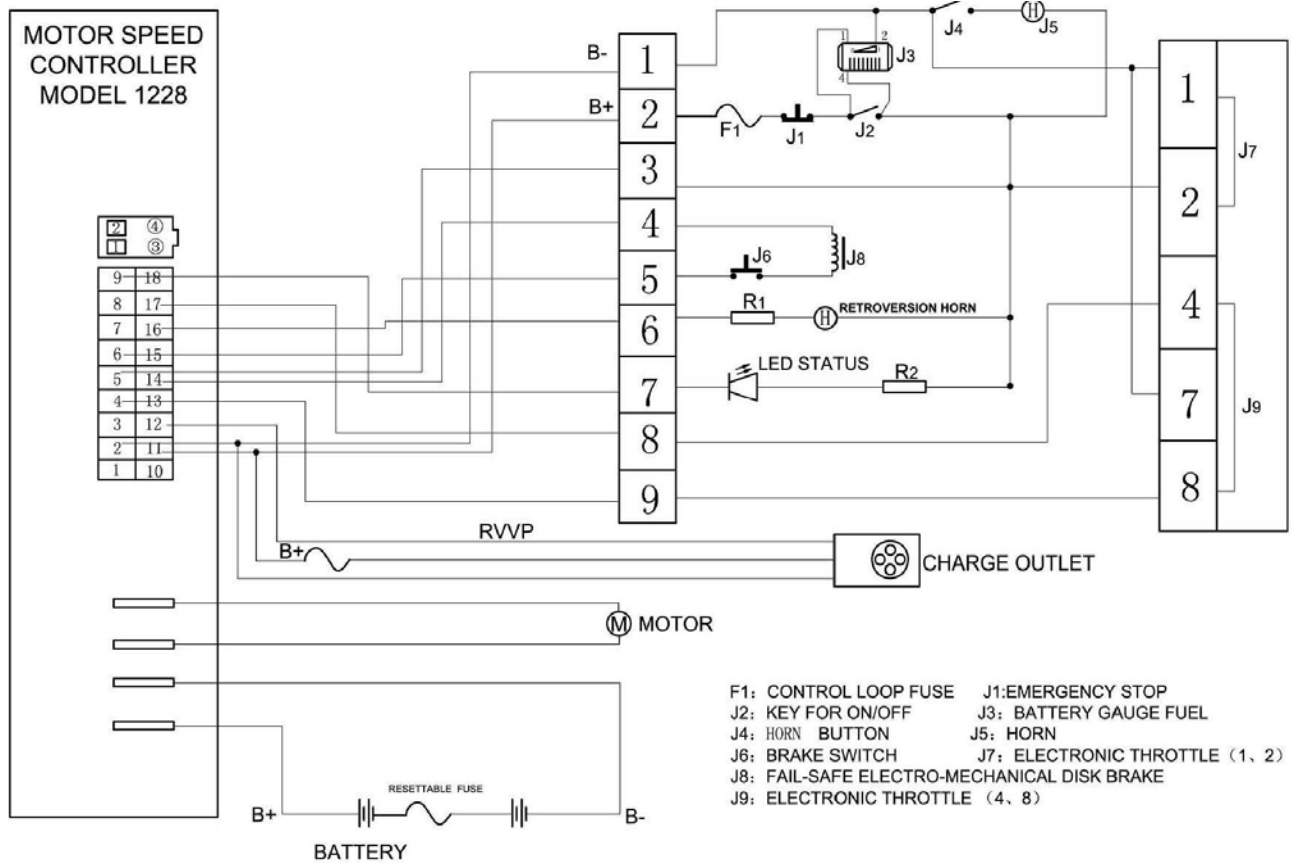
^ = Jack up vehicle and retest to confirm diagnosis. Clean connections, inspect system wiring, and retest.

NOTE: Only one error is indicated at a time and errors are not queued up.

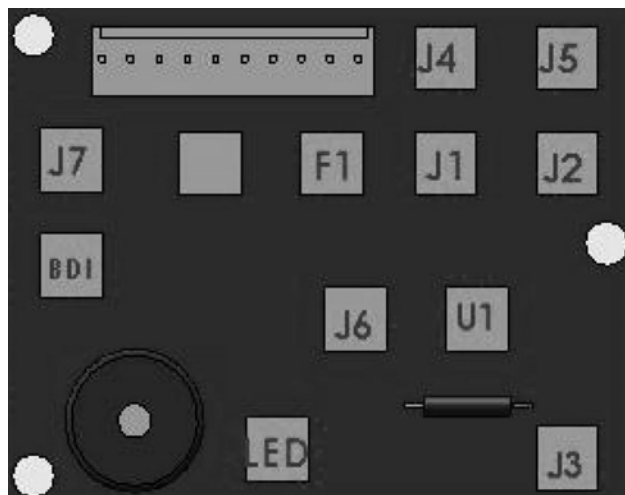
ATTENTION: TO INSURE SAFE AND EASY USE OF YOUR WESCO PLATFORM TRUCK, READ THESE INSTRUCTIONS ENTIRELY BEFORE USING.

8. ELECTRICAL INFORMATION

8.1 ELECTRICAL WIRING



8.2 ELECTRICAL PART IDENTIFICATION

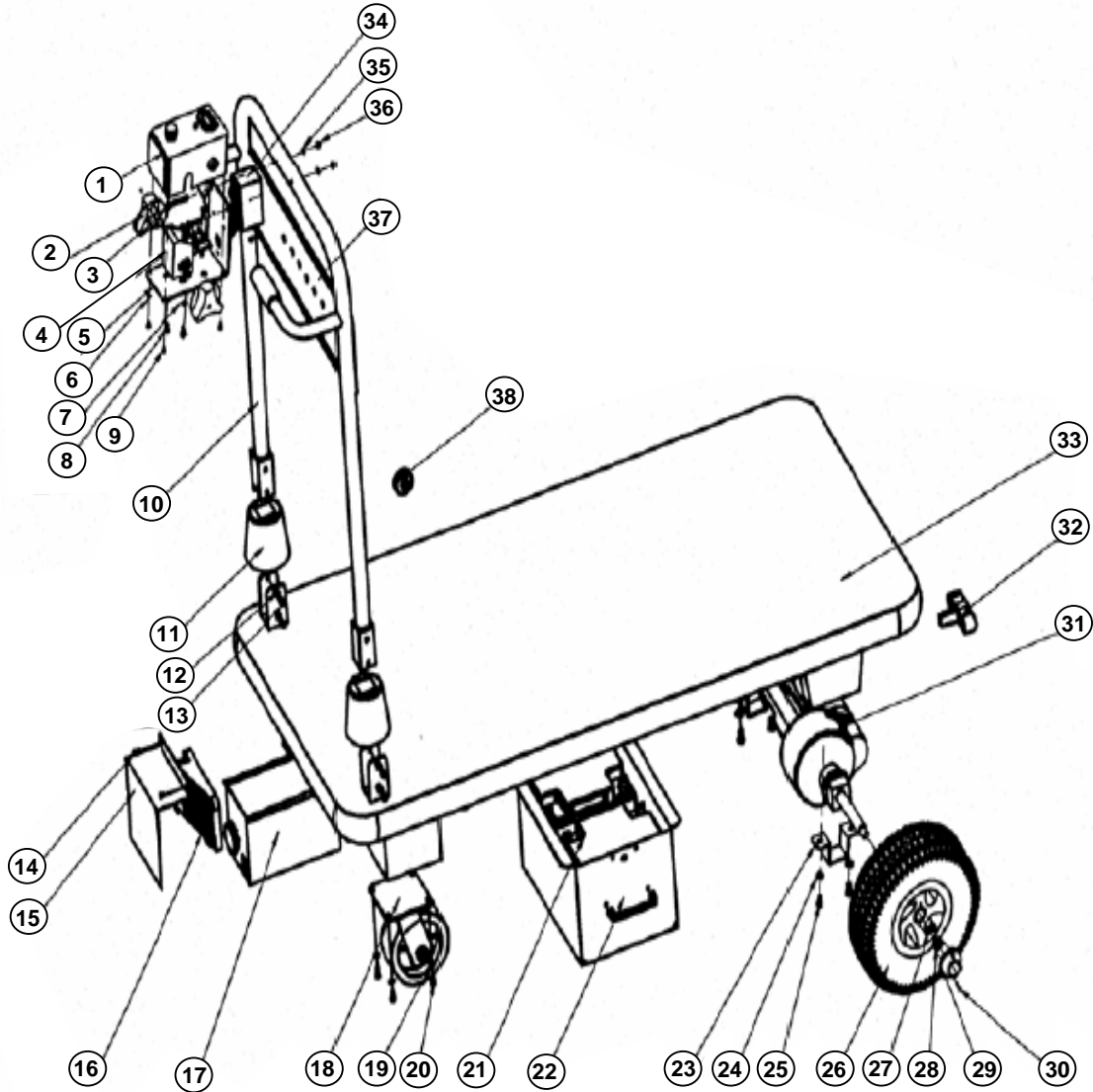


Item	Name
F1	Fuse
J1	Key Switch
J2	Emergency Stop
J3	Power Accelerator (Orange Line)
J4	Horn Switch
J5	Horn
J6	Electro-Mechanical Disk Brake
J7	Accelerator Throttle (Black White Line)
BDI	Battery Fuel Gauge (0-5V)
LED	Failure Light Indicator
UI	Battery Fuel Gauge (DC24V)

ATTENTION: TO INSURE SAFE AND EASY USE OF YOUR WESCO PLATFORM TRUCK, READ THESE INSTRUCTIONS ENTIRELY BEFORE USING.

9. PART INFORMATION

9.1 PART DIAGRAM



ATTENTION: TO INSURE SAFE AND EASY USE OF YOUR WESCO PLATFORM TRUCK, READ THESE INSTRUCTIONS ENTIRELY BEFORE USING.

9. PART INFORMATION

9.2 PART LIST

Part Number	Item	Description	Qty.
Included in Kit A	1	Switch Box	1
	2	Speed Adjust Handle	2
	3	M6x38 Hex Screw	2
Included in Kit A	4	Accelerator	1
	5	Switch Plate	1
	6	4 MM Washer	4
	7	5 MM Washer	2
	8	M5x10 Head Screw	2
	9	M4x10 Head Screw	4
Included in Kit B	10	Replacement Frame	1
	272430	Handle Shelf Bottom Cover	2
	272431	8MM Washer	8
	272432	M8x15 Hex Screw	8
	272433	M5x10 Head Screw	2
	272434	Controller Cover	1
	272435	Controller	1
	272426	Charger Box	1
	272436	Caster	2
	272431	8 MM Washer	8

Part Number	Item	Description	Qty.
272437	20	M8x20 Hex Screw	8
272438	21	Battery	2
272439	22	Battery Box	1
272440	23	Transaxle Fixture	2
272431	24	8MM Washer	4
272437	25	M8x20 Hex Screw	4
272441	26	Front Wheel	2
272442	27	10MM Washer	2
272443	28	M10 Locknut	2
272444	29	Front Wheel Cover	2
272445	30	M3x10 Head Screw	4
272446	31	Replacement Motor	1
272448	32	Brake Handle	1
272449	33	Cart Underpan	1
272450	34	Charger Socket	1
272481	35	6MM Washer	2
272482	36	M6 Cup Nut	2
Included in Kit B	37	Handle Plate	1
	272485	Battery Box Fix Handle	1
272459		Wiring Harness	1
272487		Fuse	1
272428	B	Handle Replacement Kit (Includes Items 10 & 37)	1

Parts for "Old" Models (Manufactured Before May 2018)			
Part Number	Kit	Description	Qty.
272569		Circuit Board	1
272568	A	Complete Switch Box Kit (Includes Items Below)	1
272564		Emergency Brake Button	1
272566		Potentiometer	1
272567		Throttle	1
272424		Key Switch & Key Set	1

Parts for "New" Models (Manufactured After May 2018)			
Part Number	Kit	Description	Qty.
272422		Circuit Board	1
272427	A	Complete Switch Box Kit (Includes Items Below)	1
272594		Emergency Brake Button	1
272595		Potentiometer	1
272596		Throttle	1
272597		Key Switch & Key Set	1

*Items within kits specify quantity included per kit

** Items 10 & item 37 sold as kit (#272428). No switches or controls included. Fits both 24" & 30" wide platforms