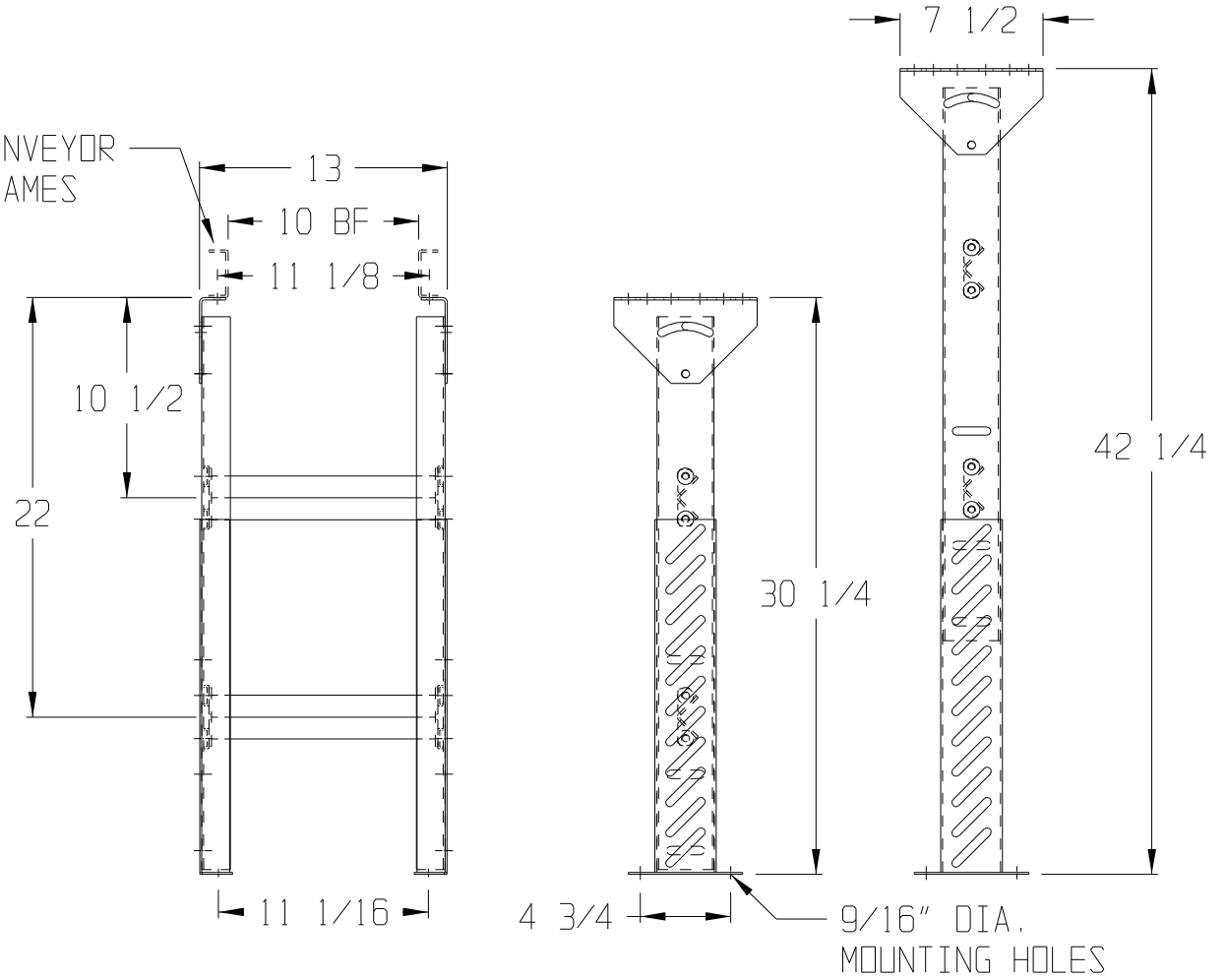
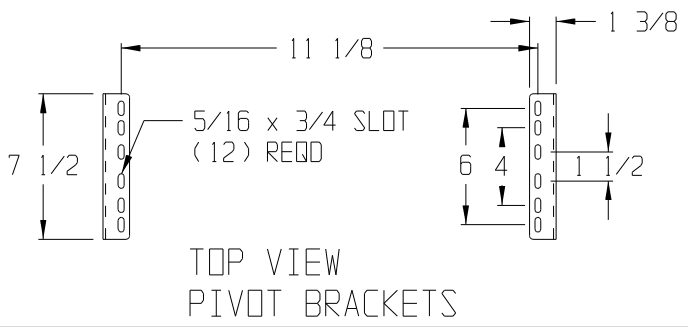


CONVEYOR
FRAMES



NOTES:
- 3 x 1-1/2 x 12 GA.
GALV. UPRIGHTS



		ALPENA, MI U.S.A. (989) 358-7000
TITLE LHST10-30.25-42.25		
DRAWN BY	JOB	DRAWING NO.
DATE	DRAWING SIZE AH	
SCALE 3/32" = 1"		