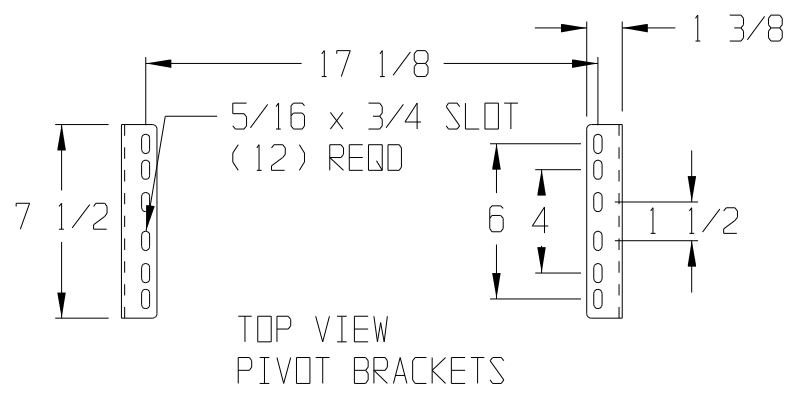


NOTES:  
 - 3 x 1-1/2 x 12 GA.  
 GALV. UPRIGHTS



		ALPENA, MI U.S.A. (989) 358-7000
TITLE LHST16-14.25-20.25		
DRAWN BY	JOB	DRAWING NO.
DATE	DRAWING SIZE AH	
SCALE 1/8"=1"		