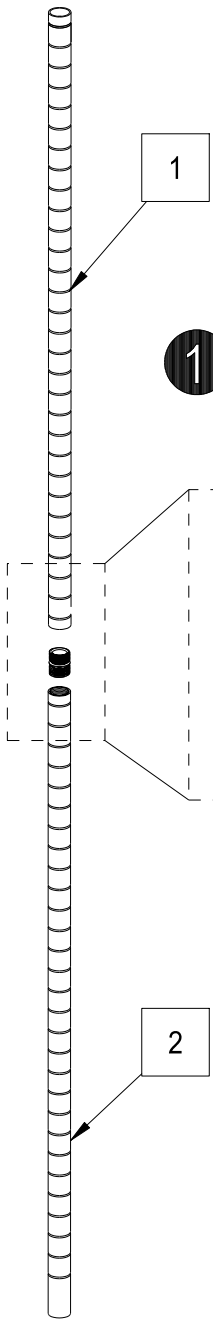


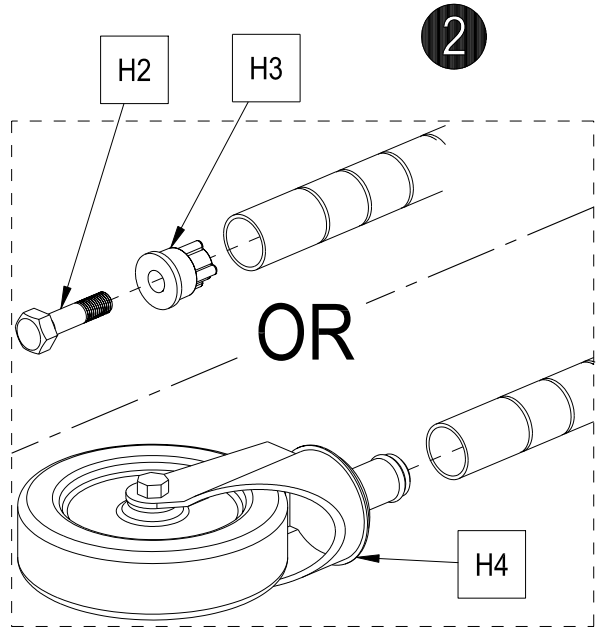
Best Value Kit

Assembly Instruction

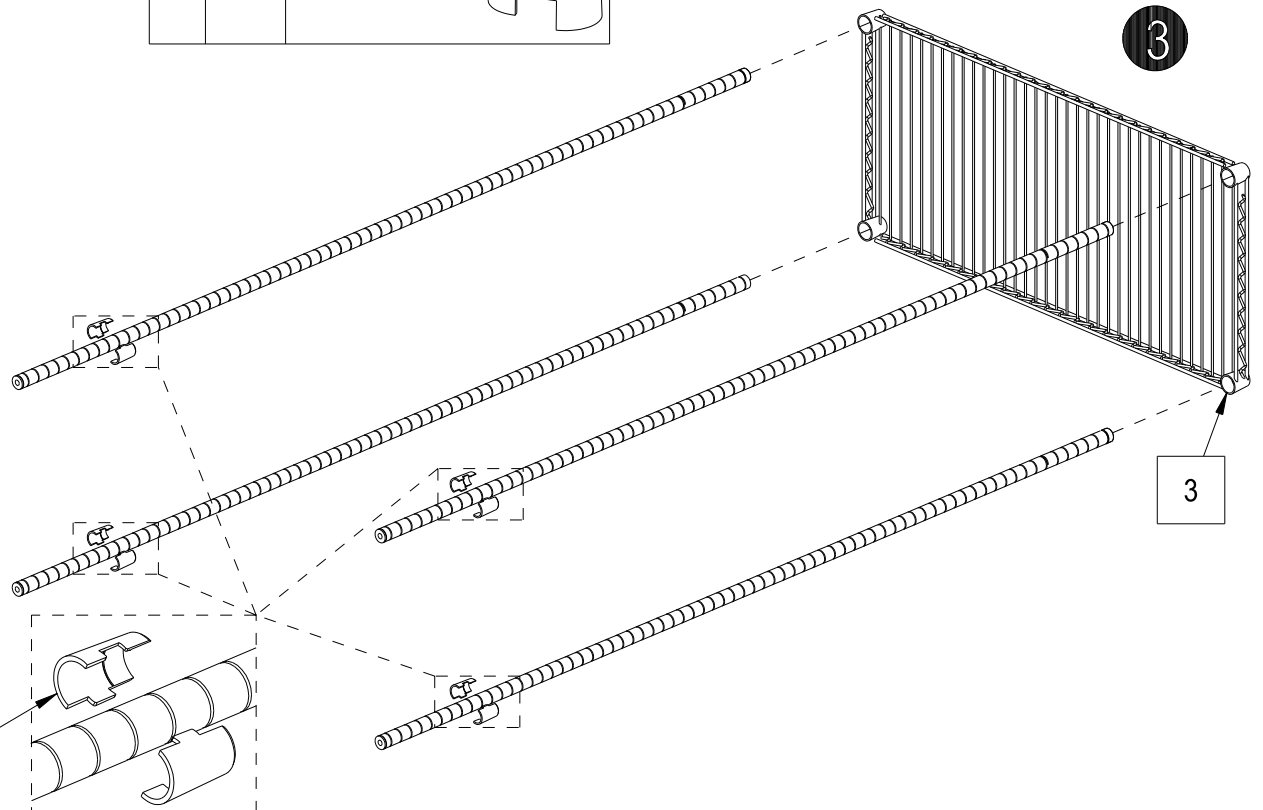


1

| Contents | | |
|----------|----------|------------------|
| Ref. | Qty. | Description |
| 1 | 4 | Top Half Post |
| 2 | 4 | Bottom Half Post |
| 3 | 4 | Shelf |
| H1 | 4 | Coupling |
| H2 | 4 | Foot Leveler |
| H3 | 4 | Insert |
| H4 | 4 | Optional |
| H5 | 16(Sets) | Post Clip |



2

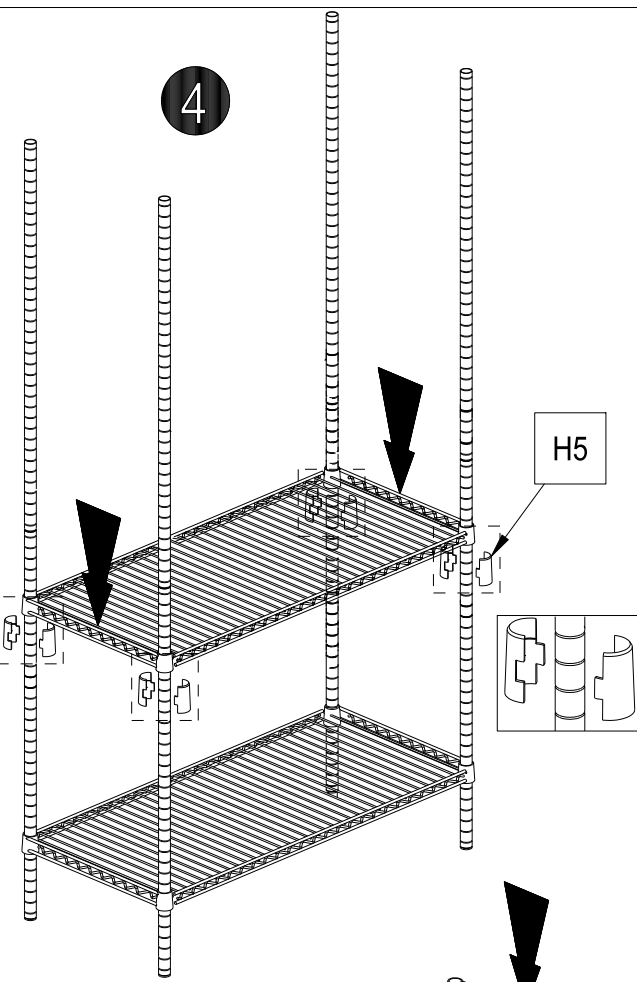


3

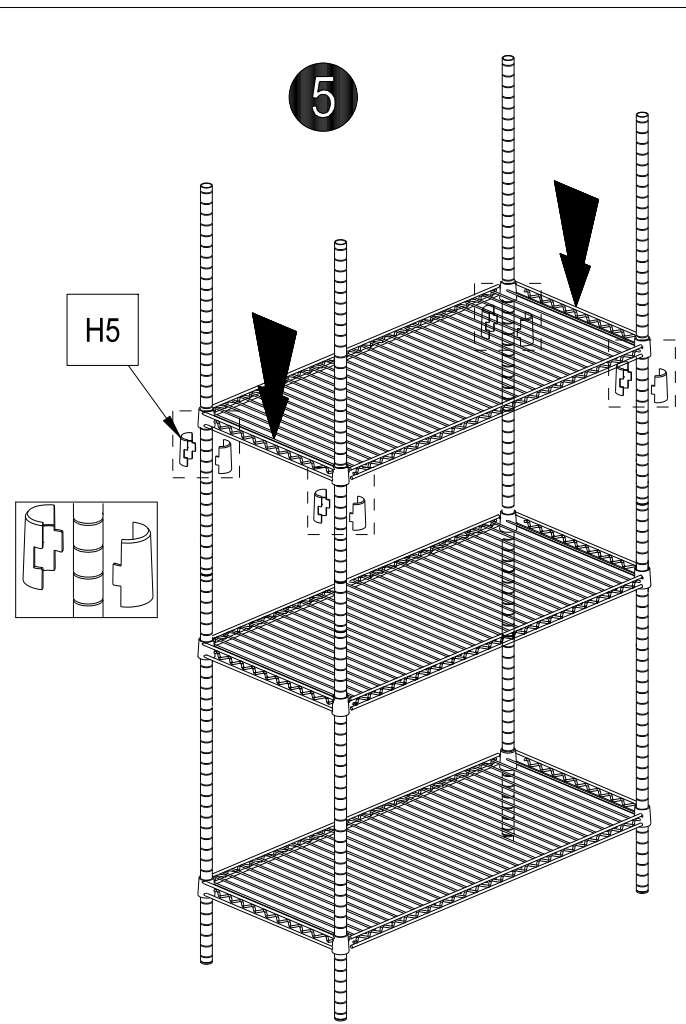
H5

3

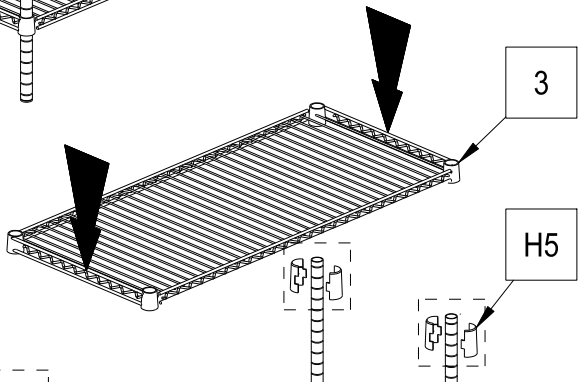
4



5

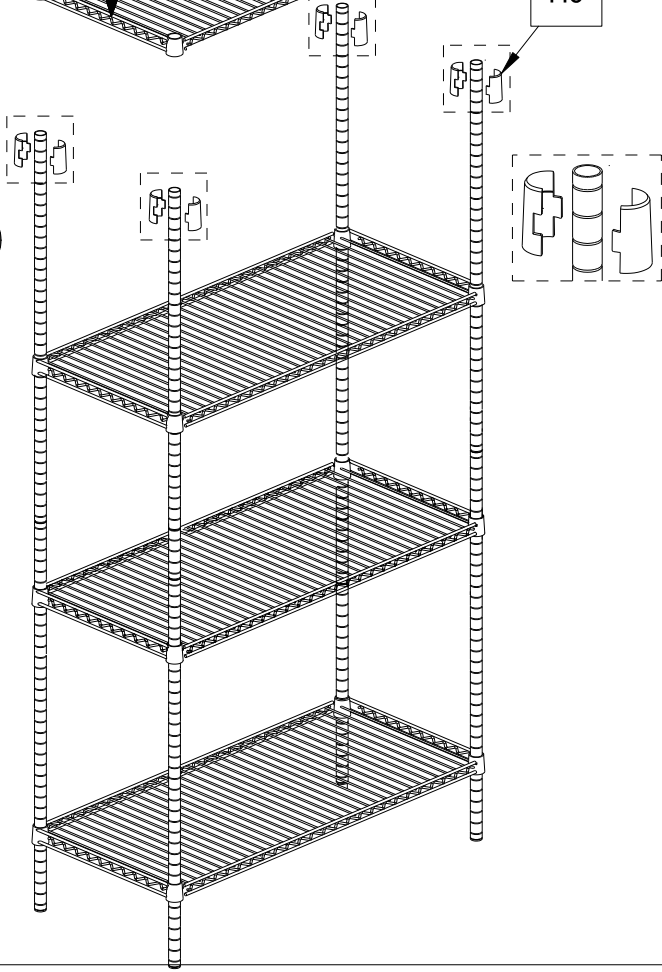


3



H5

6



7

