

GRAVITY FLOW RACK

ASSEMBLY INSTRUCTION



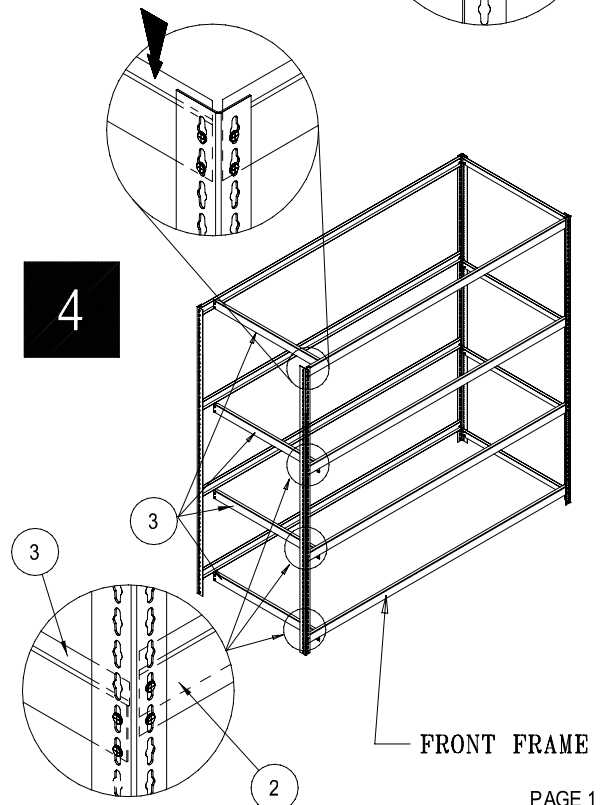
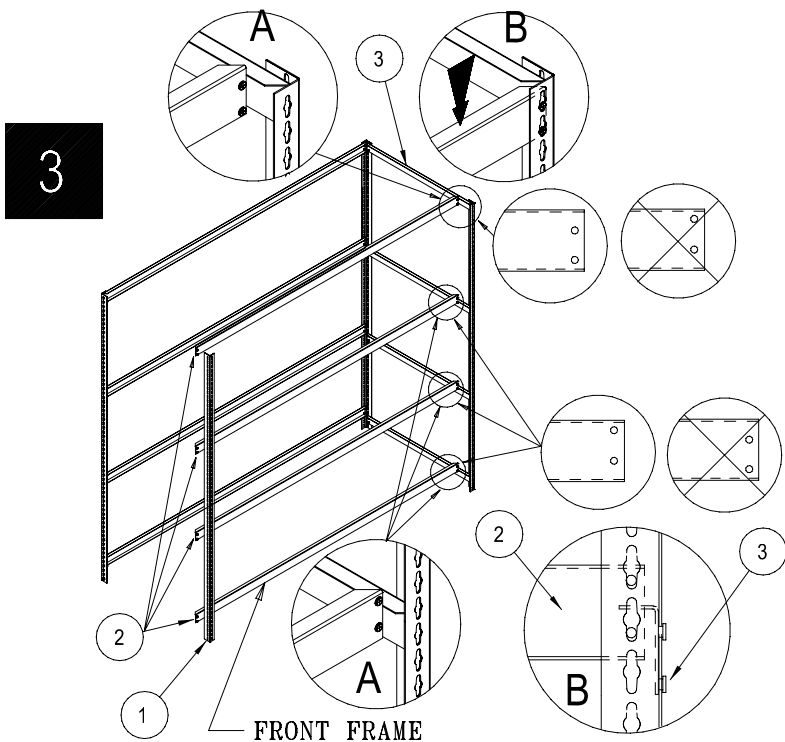
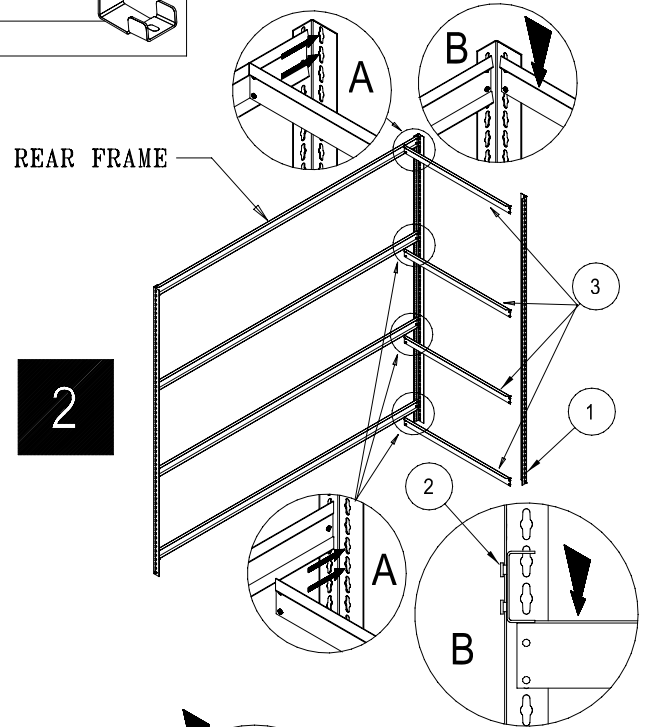
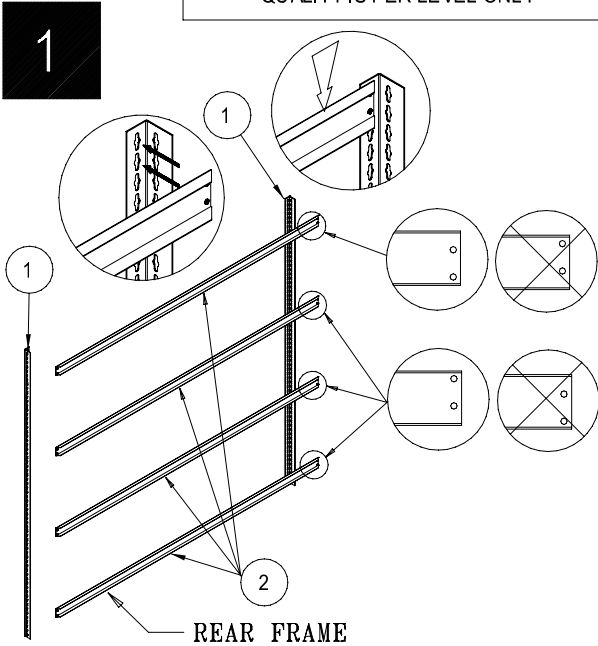
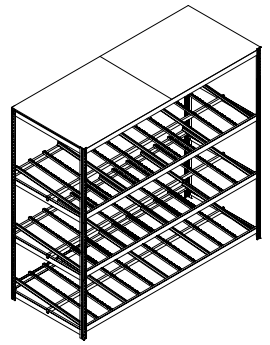
www.globalindustrial.com

1-800-645-2986

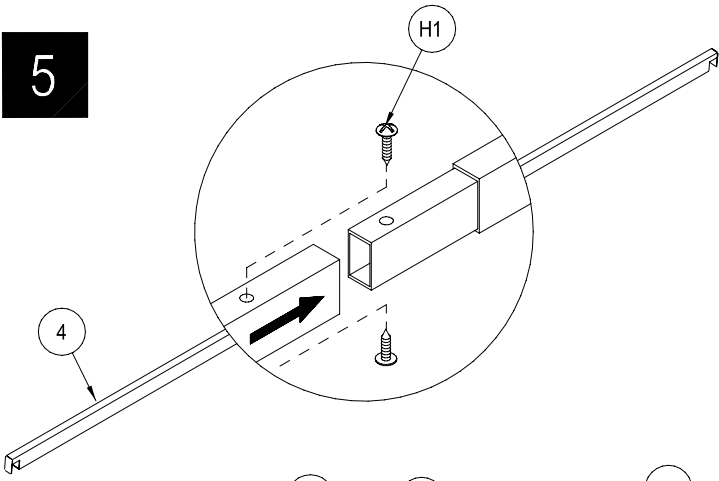
CONTENTS

REF.	QTY.	DESCRIPTION	REF.	QTY.	DESCRIPTION
1	4	UPRIGHT	H1	2*	
2	8	CHANNEL BEAM	H2	18*	
3	8	ANGLE BEAM	H3	13*	
4	1*	CENTER SUPPORT	H4	18*	
5	8*	ROLLER TRACK	H5	8*	
6	5*	BOX GUIDE	H6	8*	
7	2	PARTICLE BOARD	H7	13*	

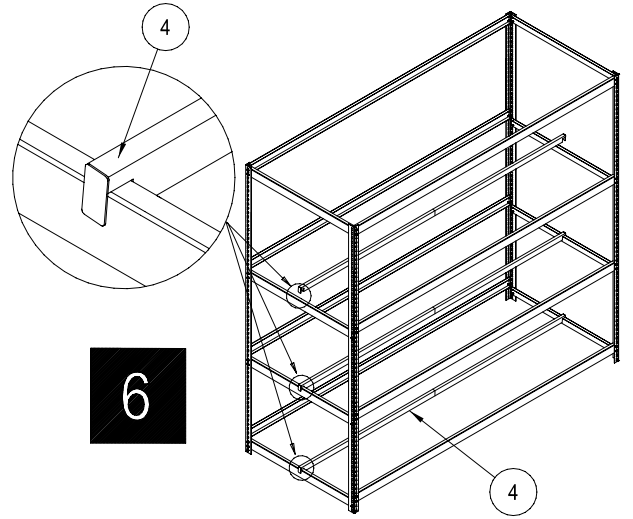
* QUALITY IS PER LEVEL ONLY



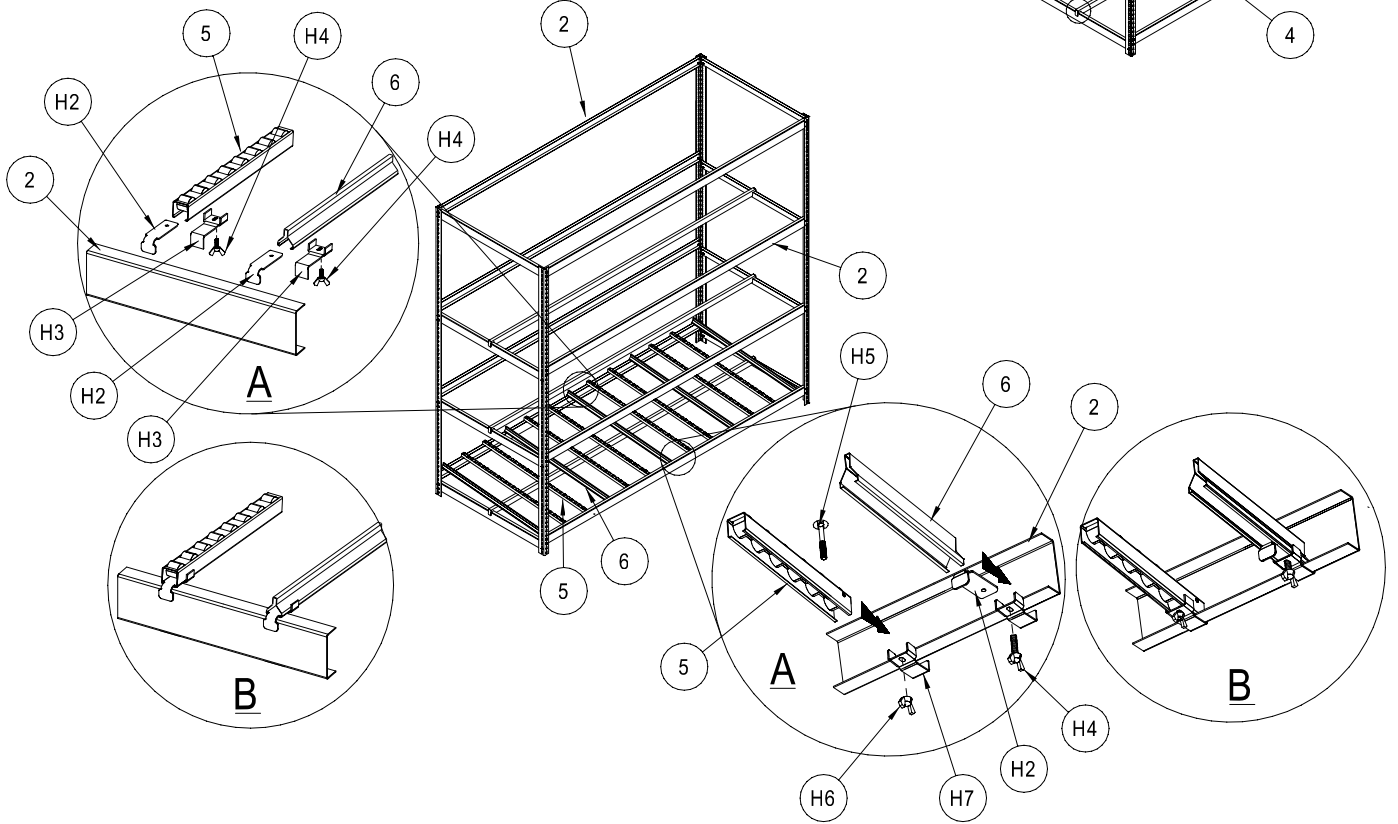
5



6



7



8

