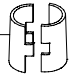
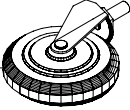

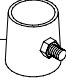


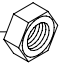


CONTENTS		
REF.	QTY.	DESCRIPTION
1	4	POST
2	1	SHELF
3	2	DUNNAGE RACK
4	2	BAR MOUNTING BRACKET
5	4	SUPPORT BAR
H1	32	
H2	4	
H3	4	
H4	4	
H5	4	
H6	4	
H7	4	



1-800-245-6682
www.nexelwire.com

STERILE WRAP RACK

ASSEMBLY INSTRUCTION

MODEL # SWR2448C
SWR2460C

