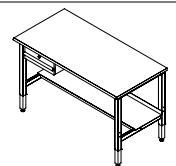




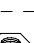
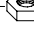


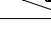
www.globalindustrial.com  
1-800-645-2986

### OPTIONAL STACKING DRAWER AND CABINET

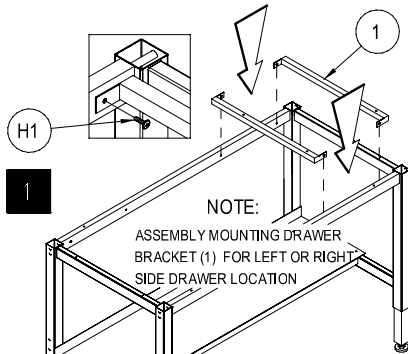


#### ASSEMBLY INSTRUCTION

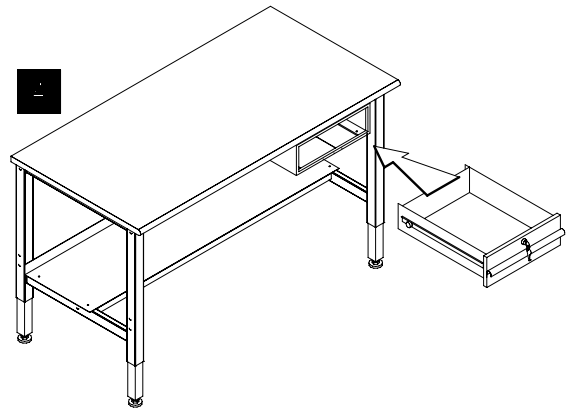
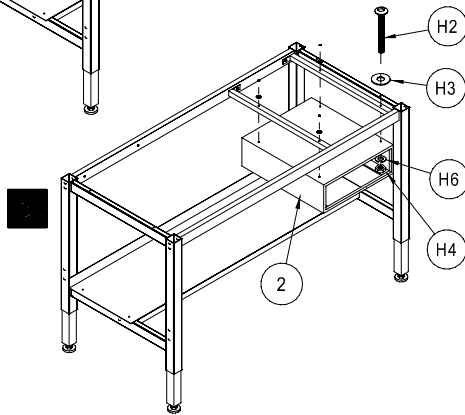
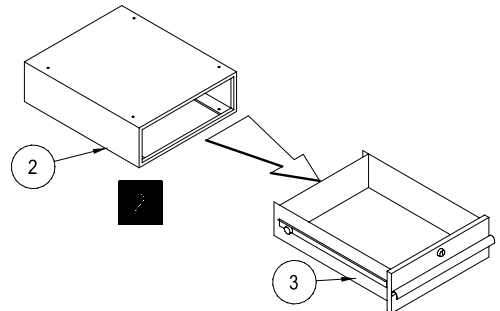
**NOTE:**  
DRAWER SUPPORTS ARE INCLUDED WITH LEGS

CONTENTS		
REF. QTY.		DESCRIPTION
1	2	DRAWER SUPPORT
2	1	DRAWER CASE
3	1	DRAWER
H1	4	
H2	4	
H3	4	
H4	4	
H5	4	
H6	4	
	2	

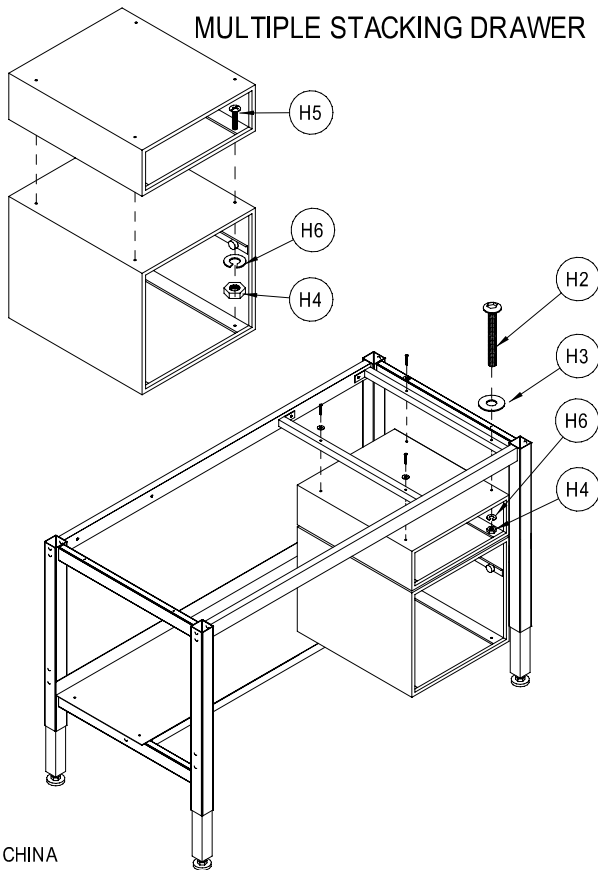
**NOTE:**  
IF YOU ARE ASSEMBLING WORKBENCH AND DRAWER FOR THE FIRST TIME, REFER TO COMPLETE ASSEMBLY INSTRUCTION.



**NOTE:**  
ASSEMBLY MOUNTING DRAWER BRACKET (1) FOR LEFT OR RIGHT SIDE DRAWER LOCATION



#### MULTIPLE STACKING DRAWER



#### STORAGE CABINET

