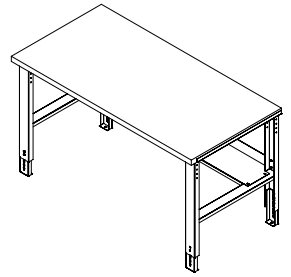




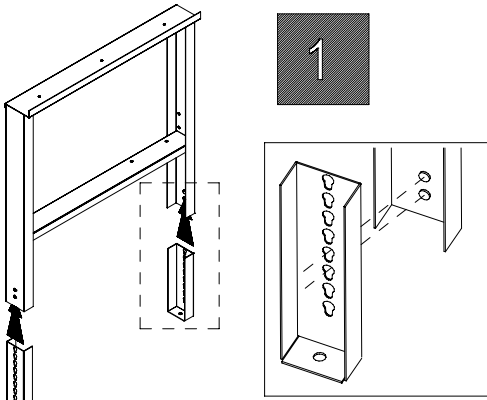
www.globalindustrial.com

1-800-645-2986

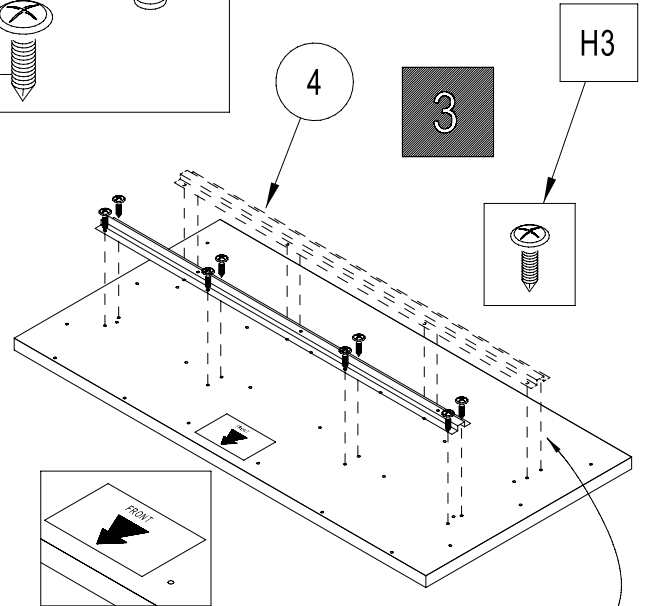
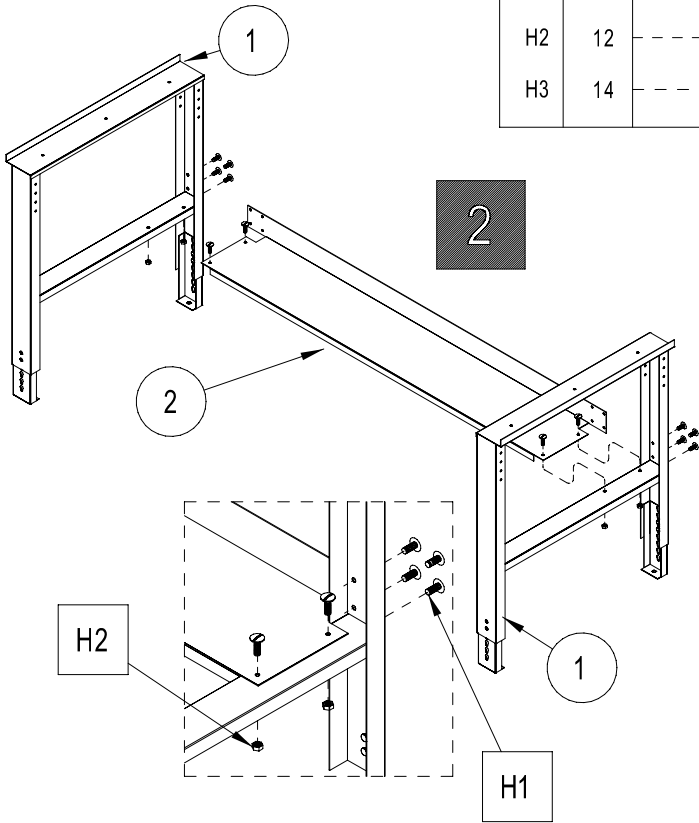
INDUSTRIAL WORKBENCH ASSEMBLY INSTRUCTION



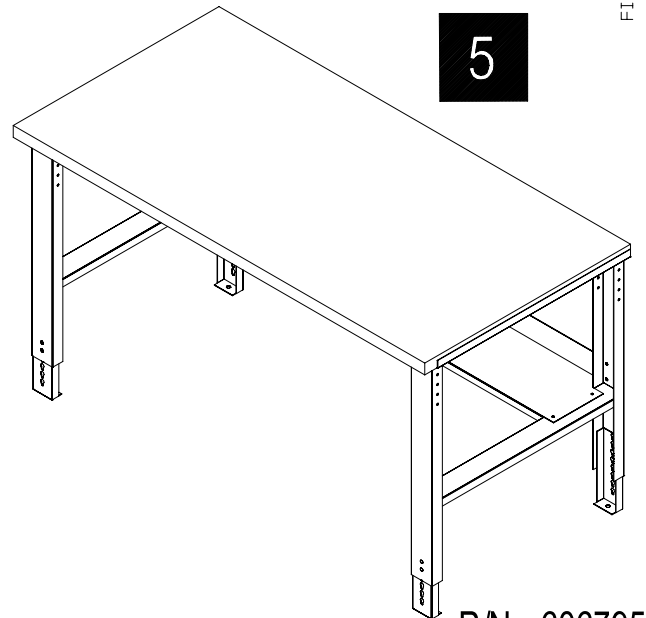
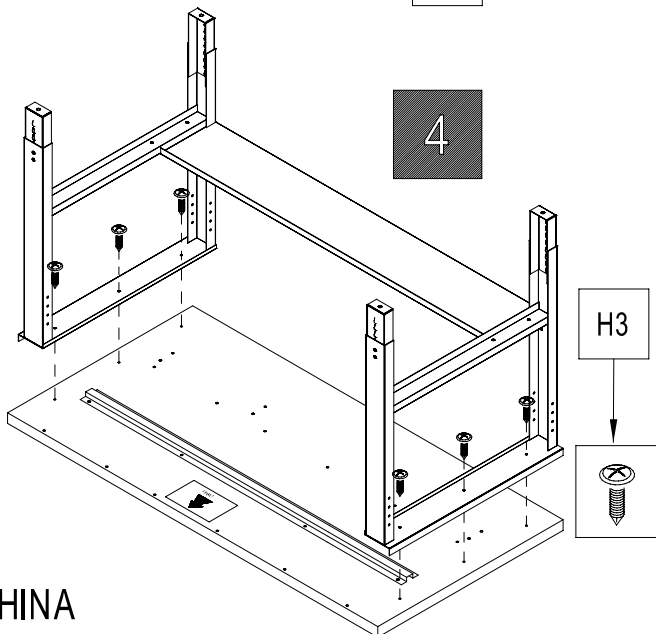
CONTENTS		
REF.	QTY.	DESCRIPTION
1	2	LEG
2	1	LOWER SHELF
3	1	TOP
4	1	TOP SUPPORT CHANNEL
H1	12	
H2	12	
H3	14	



NOTE: ADJUST LEGS TO DESIRED TABLE HEIGHT



NOTE: IF OPTIONAL DRAWER IS TO BE USED, MOUNT CHANNEL IN REAR POSITION



FILE: 20030