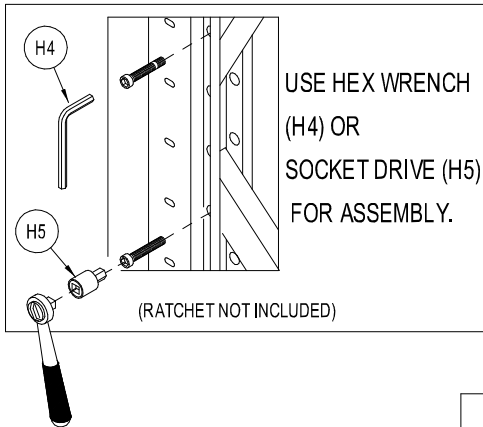


INCLUDED ASSEMBLY TOOLS



www.globalindustrial.com
1-800-645-2986

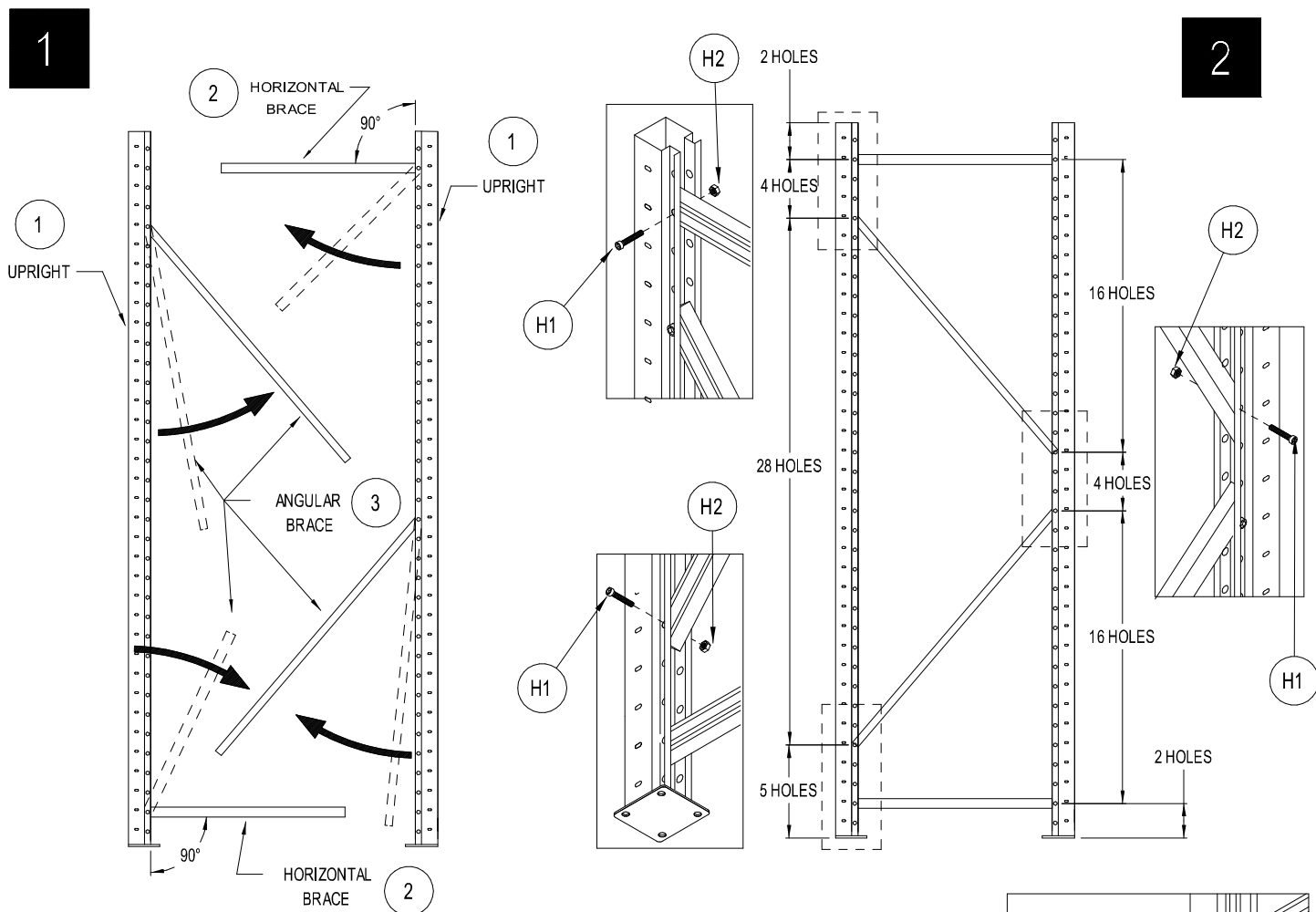
EXTRA HIGH CAPACITY BULK RACK ASSEMBLY INSTRUCTION

1. WEAR GLOVES TO PREVENT HAND INJURY.
2. FINGER TIGHTEN ALL BOLTS.
3. FULLY TIGHTEN ALL BOLTS AFTER ALL BRACES ARE ASSEMBLED.

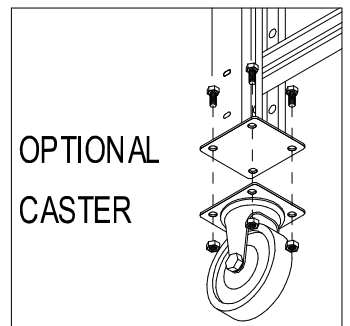
HARDWARE

| CONTENTS | | |
|----------|------|------------------|
| REF. | QTY. | DESCRIPTION |
| 1 | 4 | VERTICAL UPRIGHT |
| 2 | 2 | HORIZONTAL BRACE |
| 3 | 2 | ANGULAR BRACE |
| 4 | 6 | HORIZONTAL BEAM |
| 5 | | DECK SUPPORT |
| H1 | 16 | --BOLT-- |
| H2 | 16 | --NUT-- |
| H3 | 12 | --KEEPER PIN-- |
| | 1 | --HEX WRENCH-- |
| | 1 | --1/4" DRIVE-- |

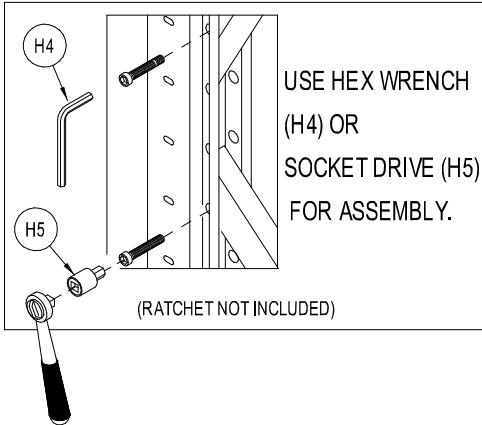
18"x72" FRAME



- A. LAY UPRIGHTS FACING EACH OTHER ON THE FLOOR.
- B. SWING OUT UPPER AND LOWER HORIZONTAL SUPPORT BRACES AND BOLT INTO PLACE.
- C. LOCATE AND BOLT ANGULAR BRACES INTO PLACE.



INCLUDED ASSEMBLY TOOLS



www.globalindustrial.com
1-800-645-2986

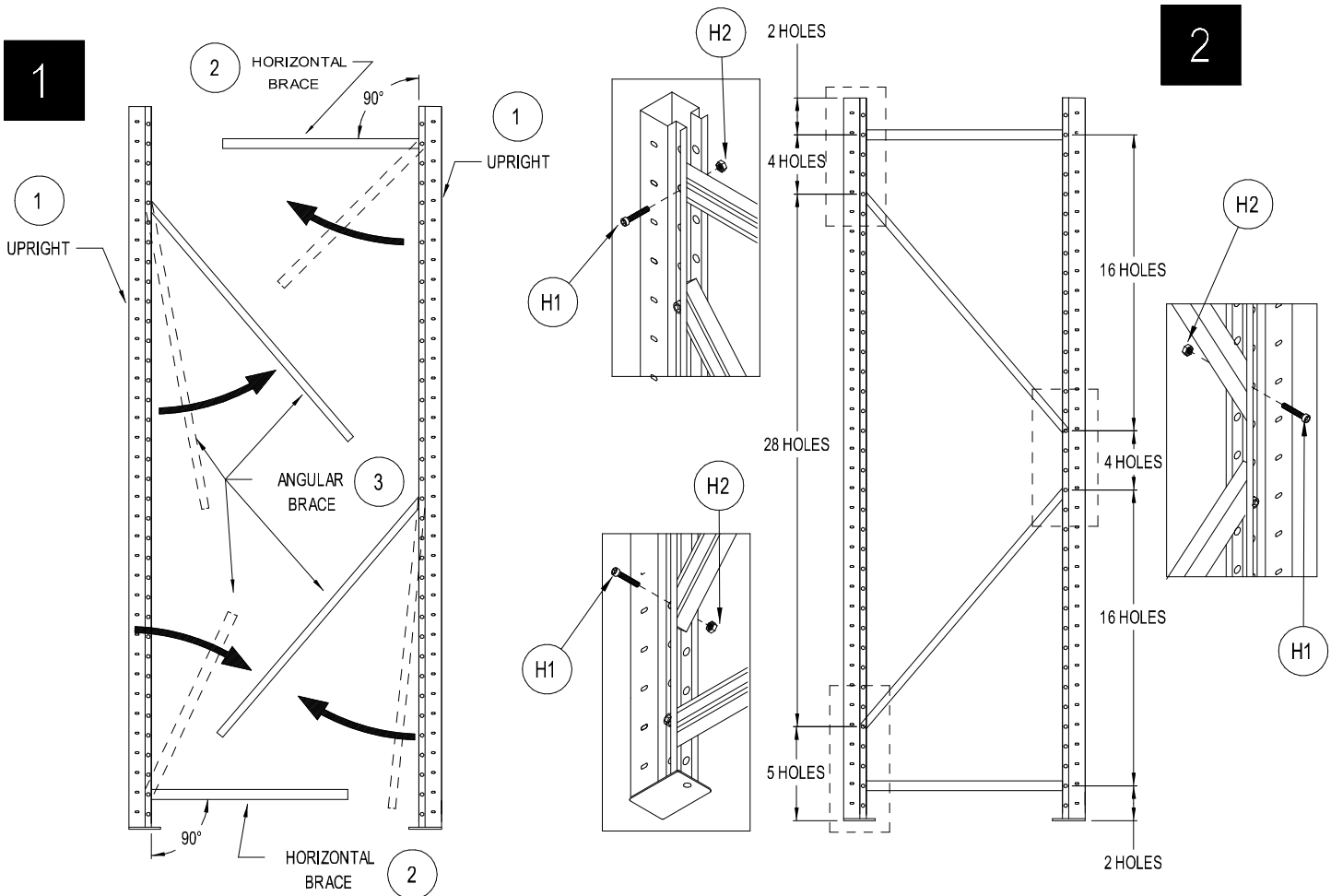
EXTRA HIGH CAPACITY BULK RACK ASSEMBLY INSTRUCTION

1. WEAR GLOVES TO PREVENT HAND INJURY.
2. FINGER TIGHTEN ALL BOLTS.
3. FULLY TIGHTEN ALL BOLTS AFTER ALL BRACES ARE ASSEMBLED.

HARDWARE

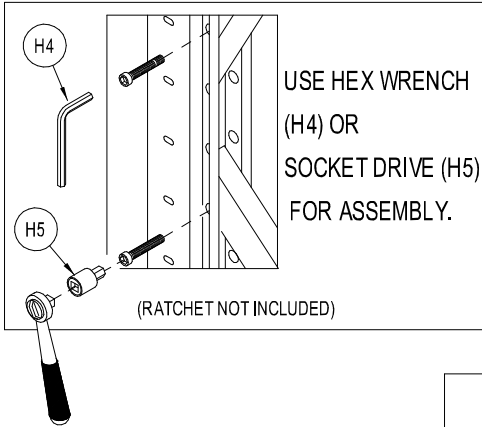
| CONTENTS | | |
|----------|------|------------------|
| REF. | QTY. | DESCRIPTION |
| 1 | 4 | VERTICAL UPRIGHT |
| 2 | 2 | HORIZONTAL BRACE |
| 3 | 2 | ANGULAR BRACE |
| 4 | 6 | HORIZONTAL BEAM |
| 5 | | DECK SUPPORT |
| H1 | 16 | --BOLT-- |
| H2 | 16 | --NUT-- |
| H3 | 12 | --KEEPER PIN-- |
| H4 | 1 | --HEX WRENCH-- |
| H5 | 1 | --1/4" DRIVE-- |

72" FRAME



- A. LAY UPRIGHTS FACING EACH OTHER ON THE FLOOR.
- B. SWING OUT UPPER AND LOWER HORIZONTAL SUPPORT BRACES AND BOLT INTO PLACE.
- C. LOCATE AND BOLT ANGULAR BRACES INTO PLACE.

INCLUDED ASSEMBLY TOOLS



www.globalindustrial.com
1-800-645-2986

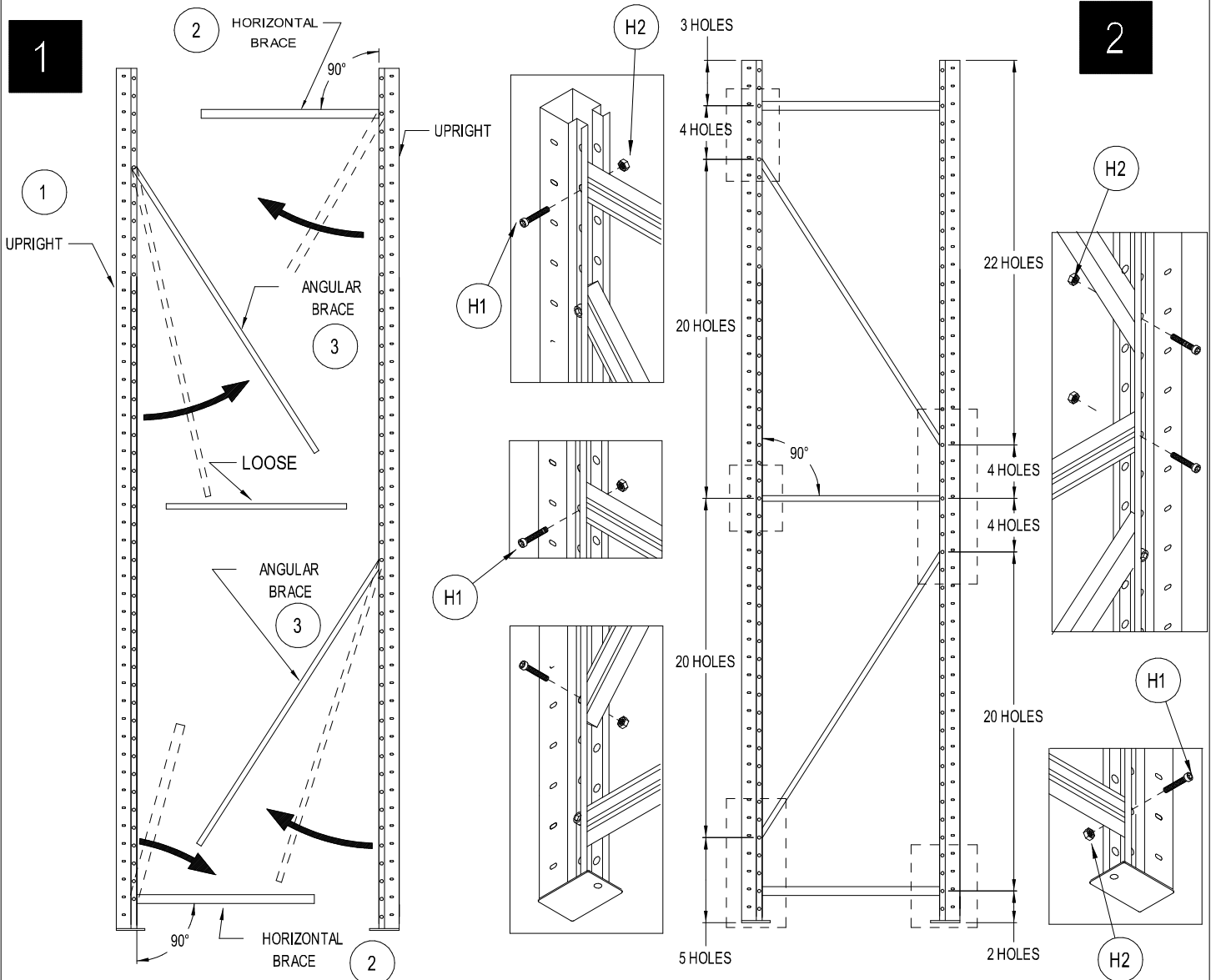
EXTRA HIGH CAPACITY BULK RACK ASSEMBLY INSTRUCTION

1. WEAR GLOVES TO PREVENT HAND INJURY.
2. FINGER TIGHTEN ALL BOLTS.
3. FULLY TIGHTEN ALL BOLTS AFTER ALL BRACES ARE ASSEMBLED.

HARDWARE

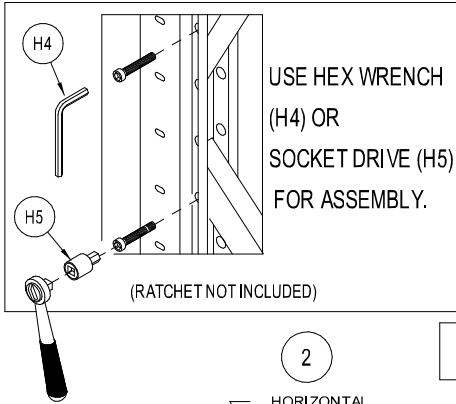
| CONTENTS | | |
|----------|------|------------------|
| REF. | QTY. | DESCRIPTION |
| 1 | 4 | VERTICAL UPRIGHT |
| 2 | 3 | HORIZONTAL BRACE |
| 3 | 2 | ANGULAR BRACE |
| 4 | 6 | HORIZONTAL BEAM |
| 5 | | DECK SUPPORT |
| H1 | 16 | ---BOLT--- |
| H2 | 16 | ---NUT--- |
| H3 | 12 | ---KEEPER PIN--- |
| H4 | 1 | ---HEX WRENCH--- |
| H5 | 1 | ---1/4" DRIVE--- |

96" FRAME



- LAY UPRIGHTS FACING EACH OTHER ON THE FLOOR.
- SWING OUT UPPER AND LOWER HORIZONTAL SUPPORT BRACES AND BOLT INTO PLACE.
- LOCATE AND BOLT ANGULAR BRACES INTO PLACE.

INCLUDED ASSEMBLY TOOLS



www.globalindustrial.com
1-800-645-2986

EXTRA HIGH CAPACITY BULK RACK

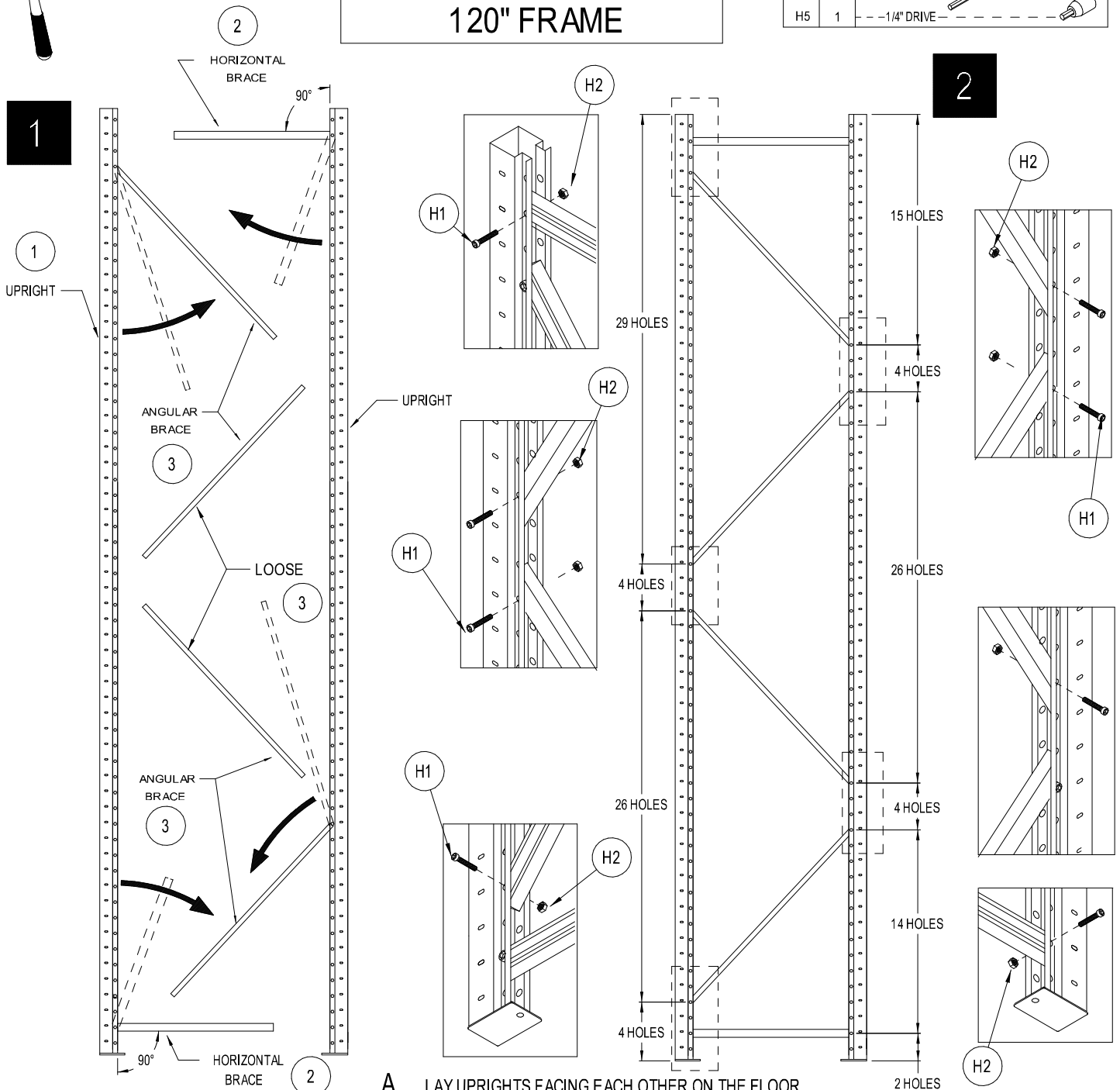
ASSEMBLY INSTRUCTION

1. WEAR GLOVES TO PREVENT HAND INJURY.
2. FINGER TIGHTEN ALL BOLTS.
3. FULLY TIGHTEN ALL BOLTS AFTER ALL BRACES ARE ASSEMBLED.

120" FRAME

HARDWARE

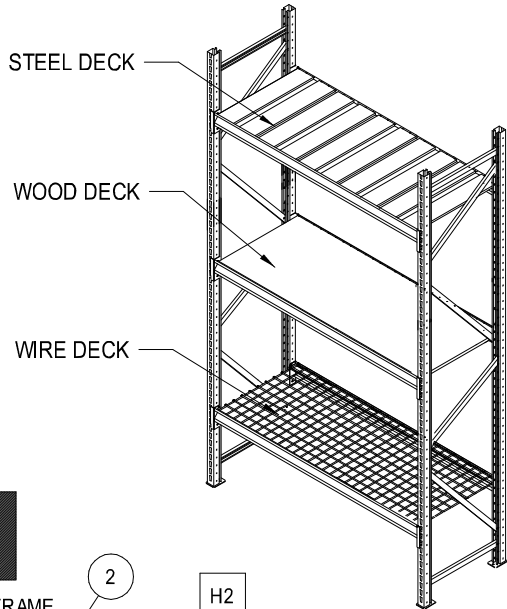
| CONTENTS | | |
|----------|------|--------------------|
| REF. | QTY. | DESCRIPTION |
| 1 | 4 | VERTICAL UPRIGHT |
| 2 | 2 | HORIZONTAL BRACE |
| 3 | 4 | ANGULAR BRACE |
| 4 | 6 | HORIZONTAL BEAM |
| 5 | | DECK SUPPORT |
| H1 | 16 | --- BOLT --- |
| H2 | 16 | --- NUT --- |
| H3 | 12 | --- KEEPER PIN --- |
| H4 | 1 | --- HEX WRENCH --- |
| H5 | 1 | --- 1/4" DRIVE --- |



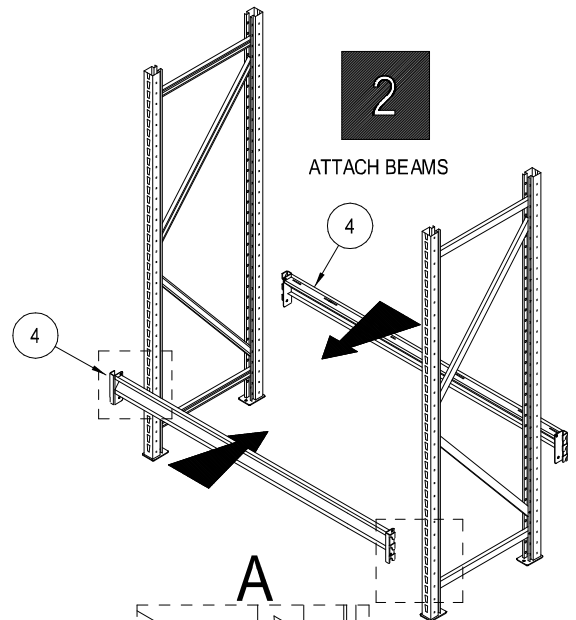
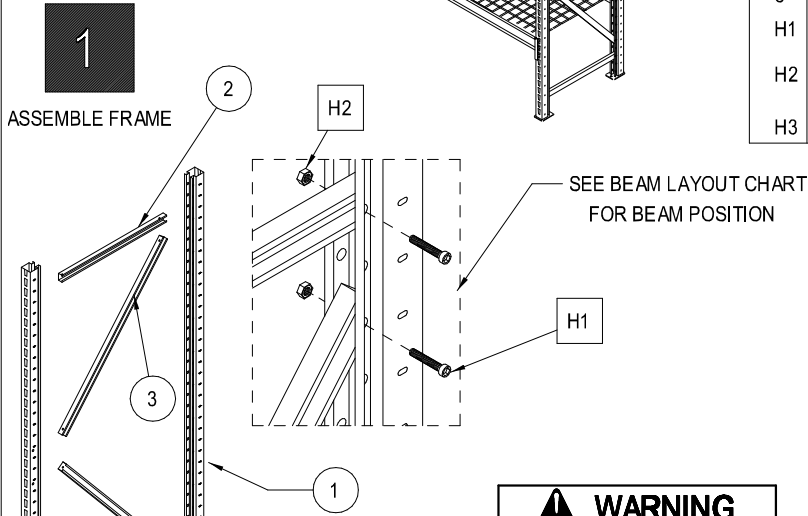
- LAY UPRIGHTS FACING EACH OTHER ON THE FLOOR.
- SWING OUT UPPER AND LOWER HORIZONTAL SUPPORT BRACES AND BOLT INTO PLACE.
- LOCATE AND BOLT ANGULAR BRACES INTO PLACE.

EXTRA HIGH CAPACITY BULK RACK

ASSEMBLY INSTRUCTION

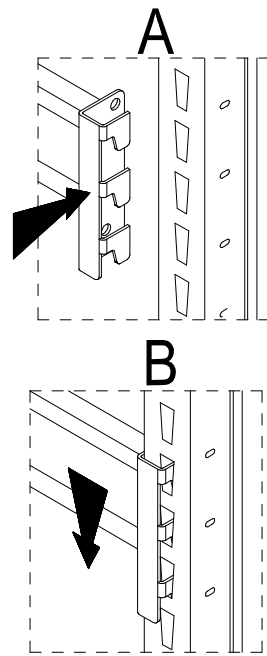
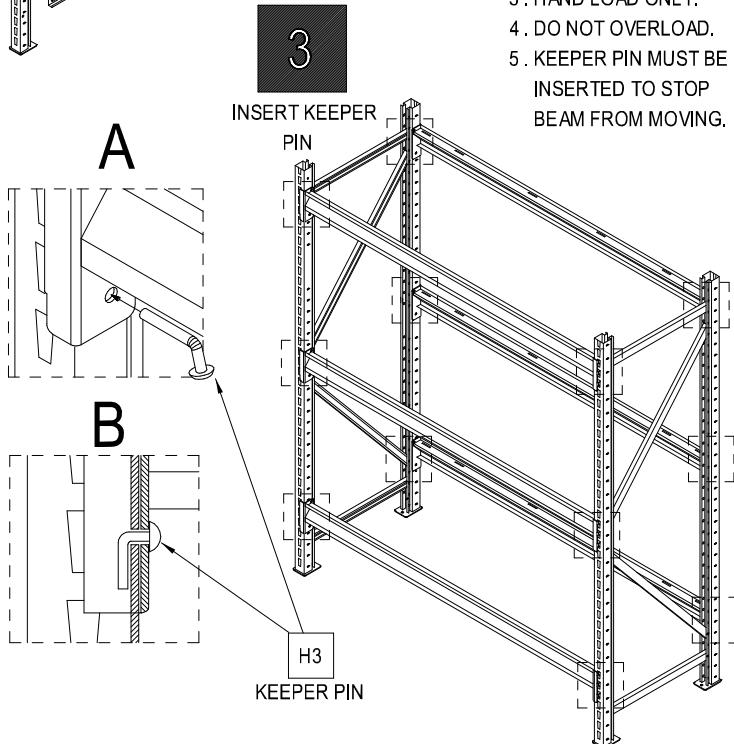


| CONTENTS | | |
|----------|------|--|
| REF. | QTY. | DESCRIPTION |
| 1 | 4 | VERTICAL UPRIGHT |
| 2 | | HORIZONTAL BRACE (72" AND 120" USE 2) (96" USE 3) |
| 3 | | ANGULAR BRACE(72" AND 96" USE 2) (120" USE 4) |
| 4 | 6 | Z-BEAM |
| 5 | | DECK SUPPORT |
| H1 | | BOLT |
| H2 | | NUT |
| H3 | | KEEPER PIN |



WARNING.

1. DO NOT CLIMB ON RACK.
2. DO NOT USE RACK AS LADDER.
3. HAND LOAD ONLY.
4. DO NOT OVERLOAD.
5. KEEPER PIN MUST BE INSERTED TO STOP BEAM FROM MOVING.



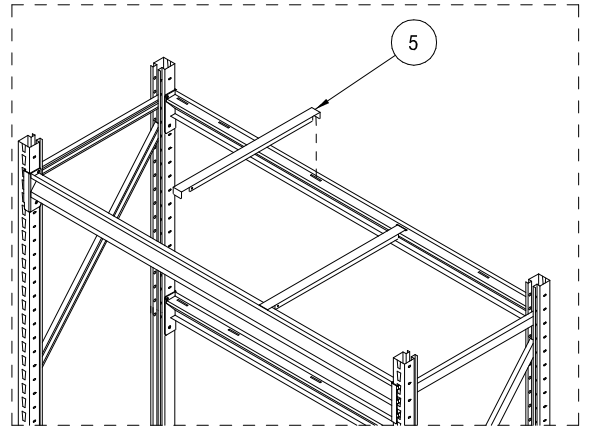
NOTE:

DECK SUPPORTS
FOR 36" AND 48" DEEP UNIT
(NOT REQUIRED FOR 24" DEEP)

USE 2 ON 60" W AND 72" W

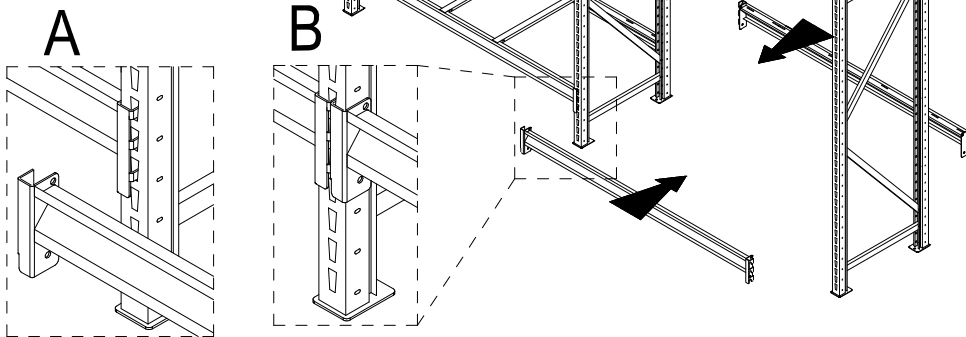
USE 3 ON 96" W

4



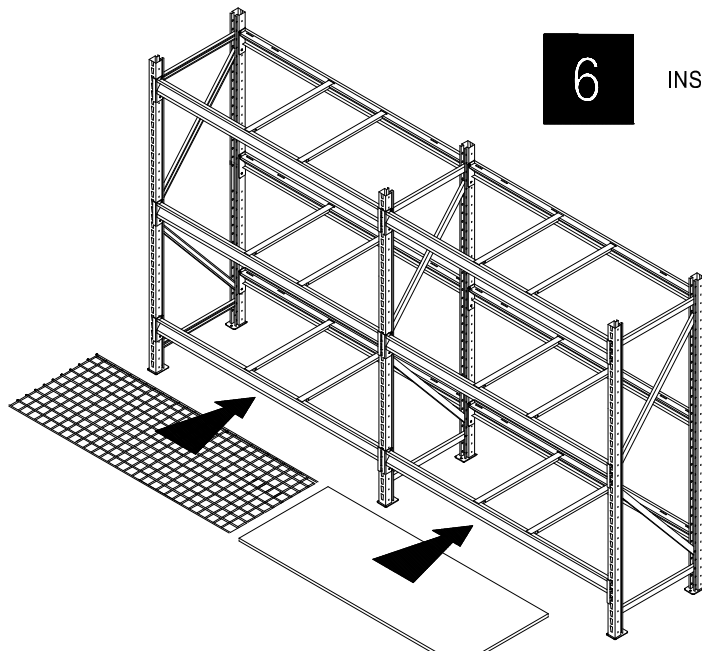
ADD-ON UNIT

5



6

INSERT DECK



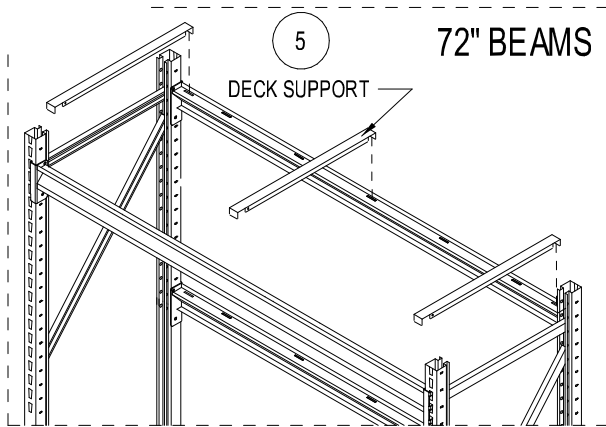
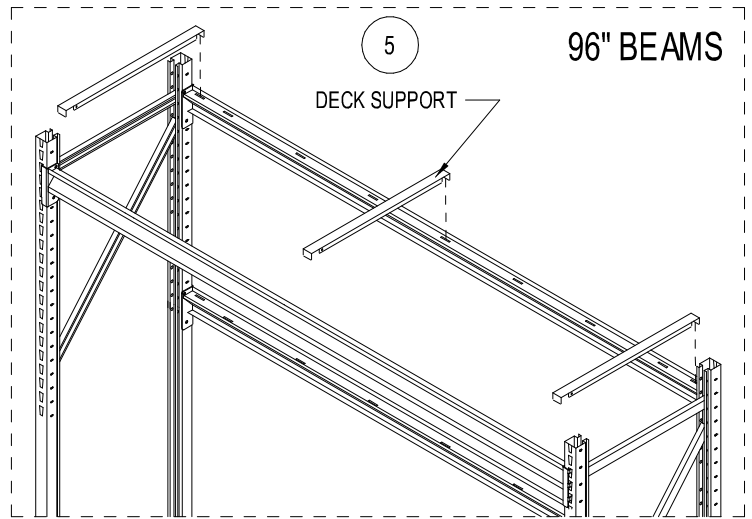
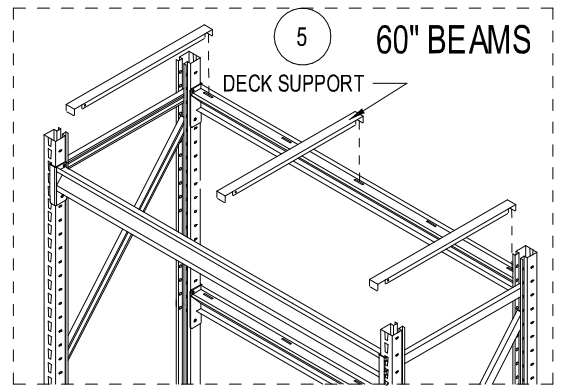
WARNING.

1. DO NOT CLIMB ON RACK.
2. DO NOT USE RACK AS LADDER.
3. HAND LOAD ONLY.
4. DO NOT OVERLOAD.
5. KEEPER PIN MUST BE INSERTED TO STOP BEAM FROM MOVING.

7

FOR WOOD AND WIRE DECKS ONLY
DECK SUPPORT ASSEMBLY AND POSITIONS

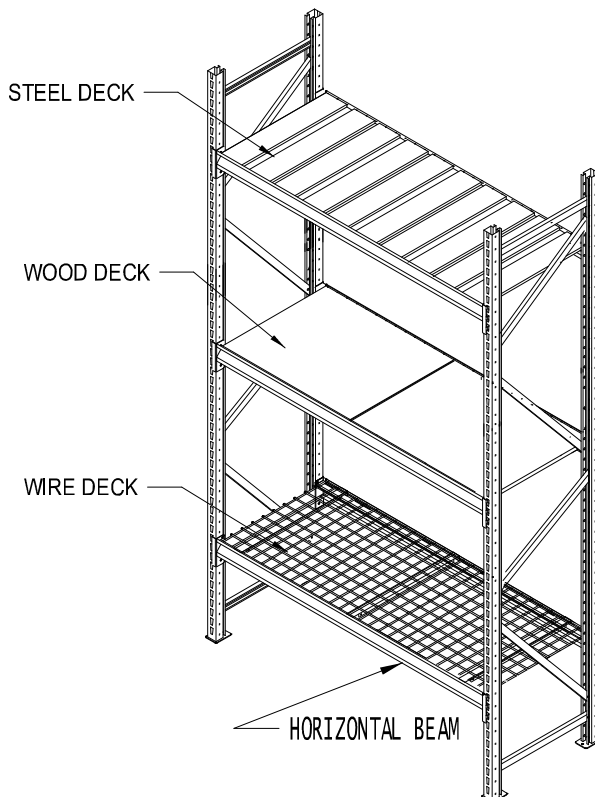
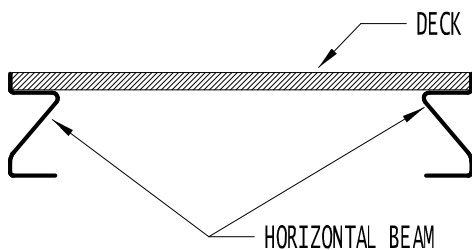
INSTALL DECK SUPPORTS IN CENTER
AND END POSITIONS AS ILLUSTRATED.



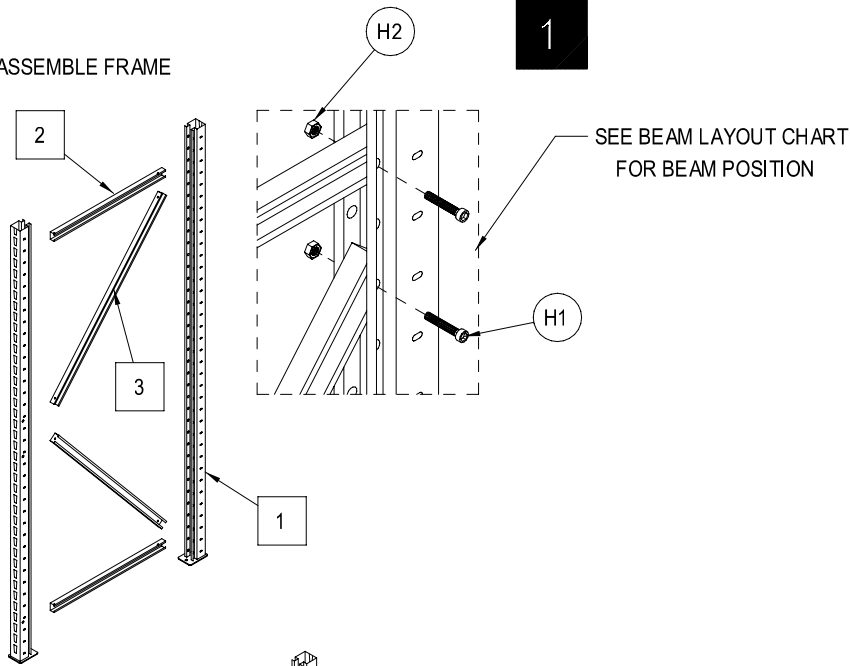
8

INSTALL SHELF DECKING:

PLACE THE SHELF DECKING ONTO THE BEAMS.



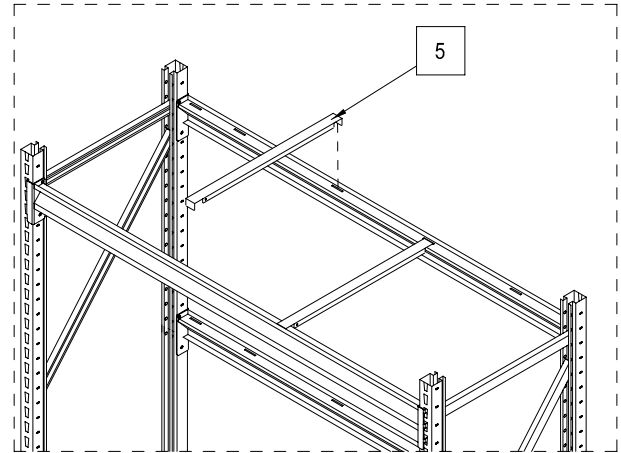
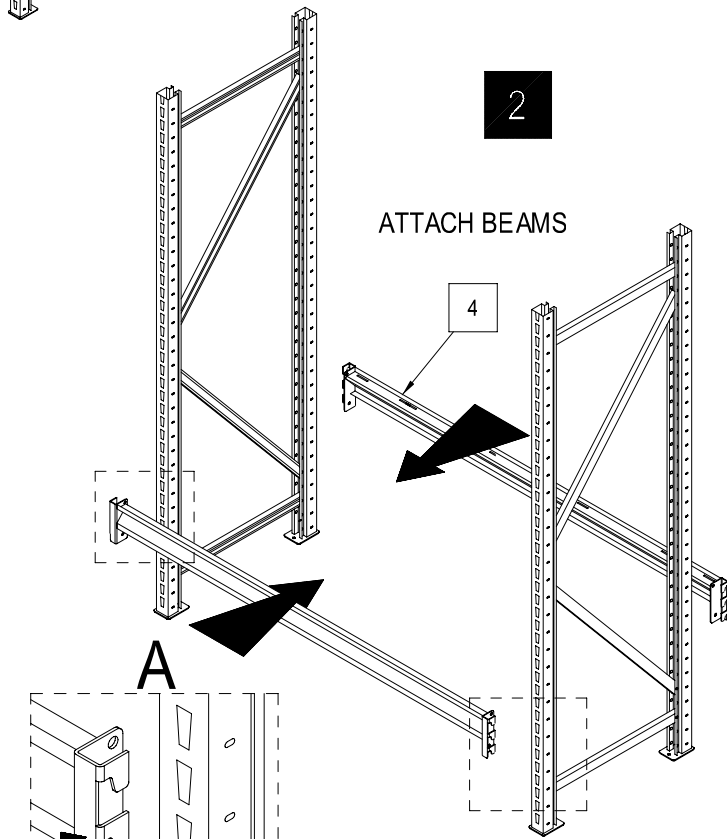
ASSEMBLE FRAME



| CONTENTS | | |
|----------|------|--|
| REF. | QTY. | DESCRIPTION |
| 1 | 4 | VERTICAL UPRIGHT |
| 2 | | HORIZONTAL BRACE (72" AND 120" USE 2) (96" USE 3) |
| 3 | | ANGULAR BRACE (72" AND 96" USE 2) (120" USE 4) |
| 4 | 6 | Z-BEAM |
| 5 | | DECK SUPPORT |
| H1 | | BOLT |
| H2 | | NUT |
| H3 | | KEEPER PIN |

2

ATTACH BEAMS



3

INSERT KEEPER PIN

