

User's manual

Manual del usuario

Manuel de l'utilisateur

Customer Service
US: 1-800-645-2986

Servicio de atención al Cliente
US: 1-800-645-2986

Service à la clientèle
Canada: 888-645-2986

Cantilever Rack Starter Sets

Models: 320821, 320822, 320823, 320824, 320825, 320826, 320827, 320828, 320829, 320830
248371, 248372, 248373 L, 248374 L, 248383 L, 248384 L, 248385, 248385 L, 248386 L, 248387 L
298900, 298901, 298902, 298903, 298904, 298905, 298906, 298907, 298908, 298909

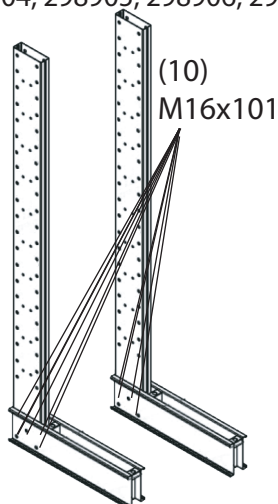
1. Using the M16x101bolts included with the base, secure the post to the base using all 5 bolts. Repeat for other base and post

FOR SINGLE SIDED:

Secure posts to end of base

FOR DOUBLE SIDED:

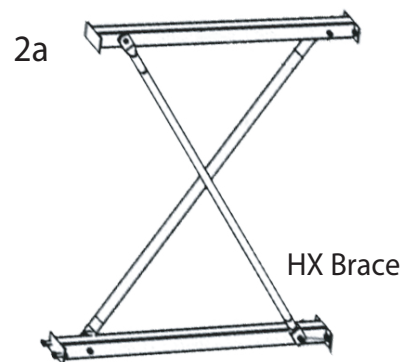
Secure posts to middle of base



Components	
•	(2) Cantilever Upright Kit
•	(2) Cantilever Base Kit (with 5 M16x101)
•	(1) Cantilever Bracket Brace Kit
•	(4) M12x75 Bolts
•	(6, 8, 12, or 16) Cantilever Arms
•	(8, 12, or 16) Lock Pins

2.(a) Using hardware included in X brace kit, lay out two H braces and connect the X brace to each corner, forming the "X" with the H bars across the top and bottom.

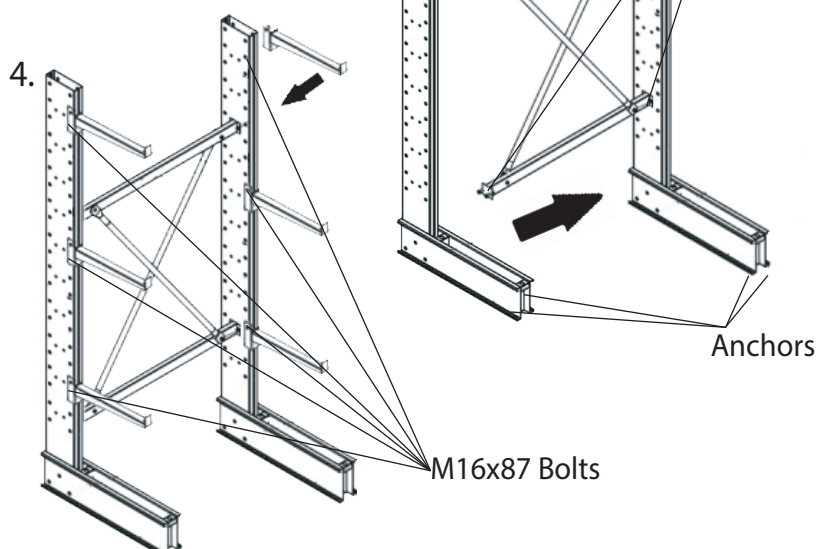
(b) Connect the HX Brace to the posts using remaining hardware included in brace kit. Connect to one side post completely before connecting to the other.



FOR 120" UNITS: Connect third H post to side posts for added structural security

3. Position Cantilever Rack in final position. Use 2 per base M12x75 Anchors to bolt the cantilever to the ground. Once all four bolts are secure, move to next step.

4. Lift each arm into position and secure arm with M16x87 bolt. Repeat for each arm.



Heavy Duty Cantilever Rack

WARNINGS

- MAXIMUM CAPACITY FOR EACH ARM IS 1200lbs. DO NOT OVERLOAD. Check the label on each arm.
- Do not load arms in a way that the load exceed the length of the arm. Leave at least 4" unloaded from the end of the arm.
- Be cautious of tipping. The center of mass of the load must be located less than halfway up the length of the arm.
- The width of the cargo must not exceed 2 times the width of the cantilever rack.

BEST LOADING PRACTICE

