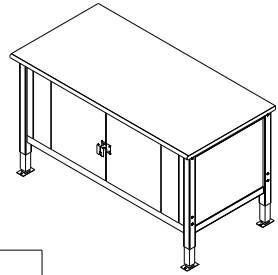


MODEL # 253CP30  
 253CP31  
 253CP32  
 253CP33  
 253CP34  
 253CP35

**GLOBAL**  
 www.globalindustrial.com  
 US: 888-628-3466  
 Canada: 888-645-2986  
 Mexico: 01.800.681.6940

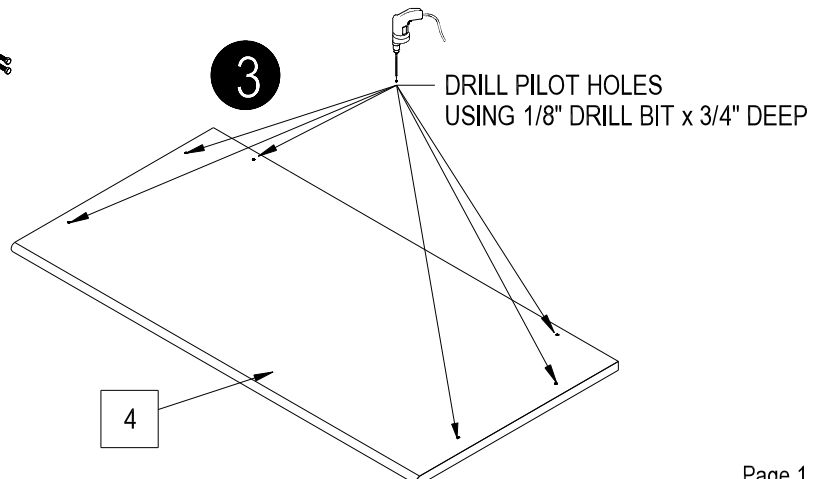
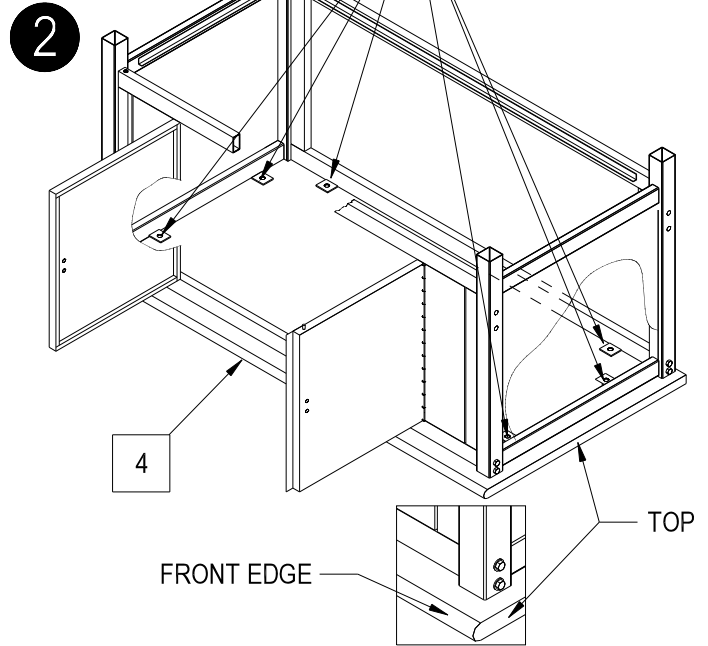
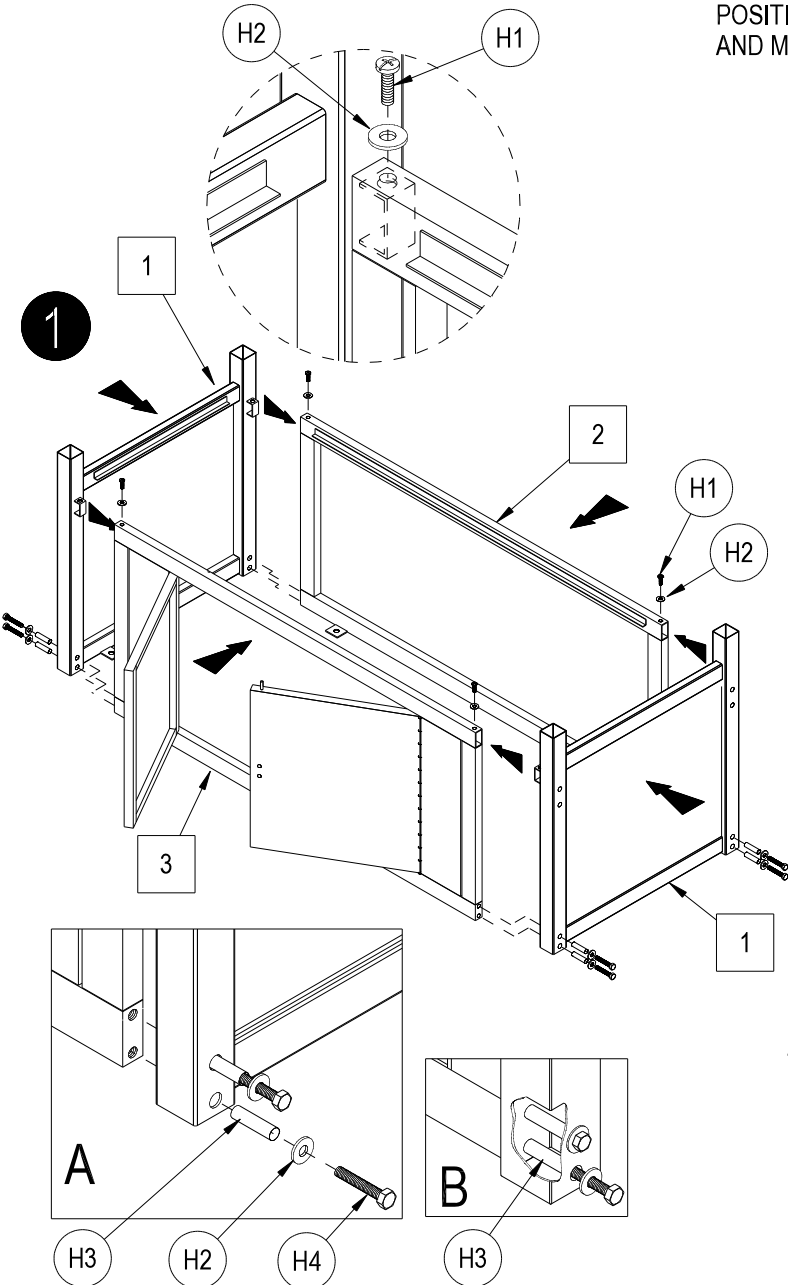


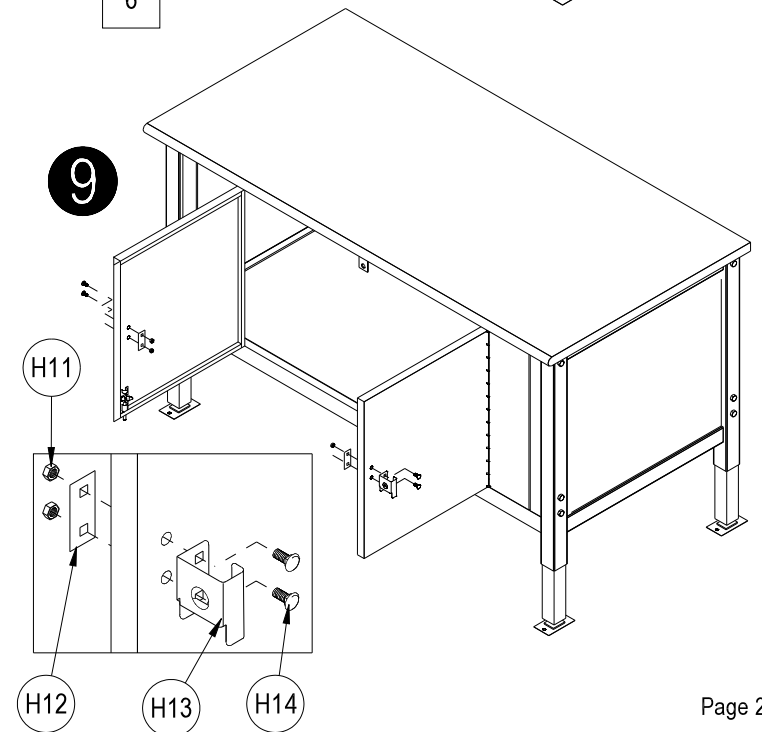
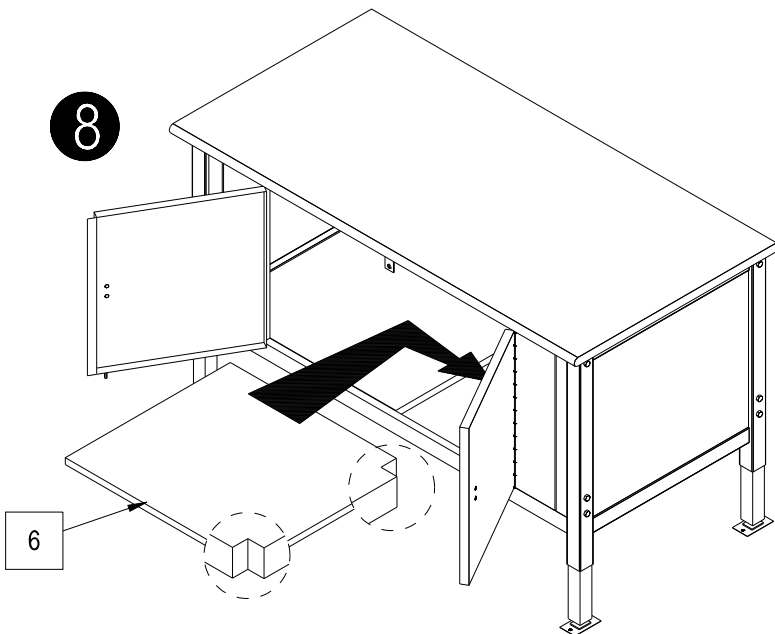
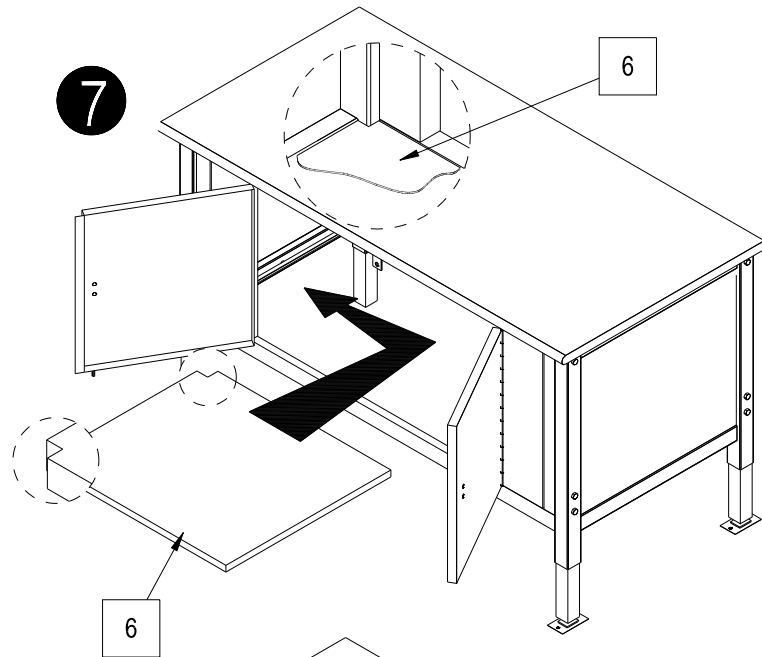
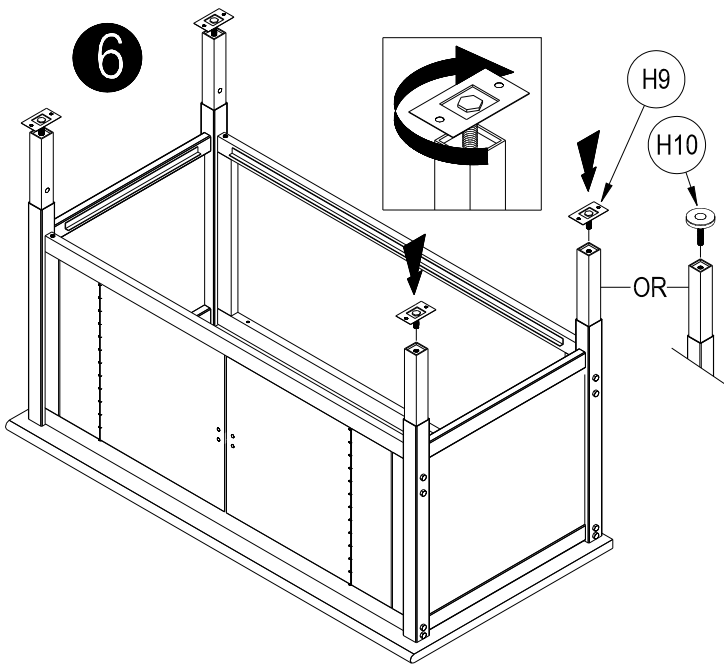
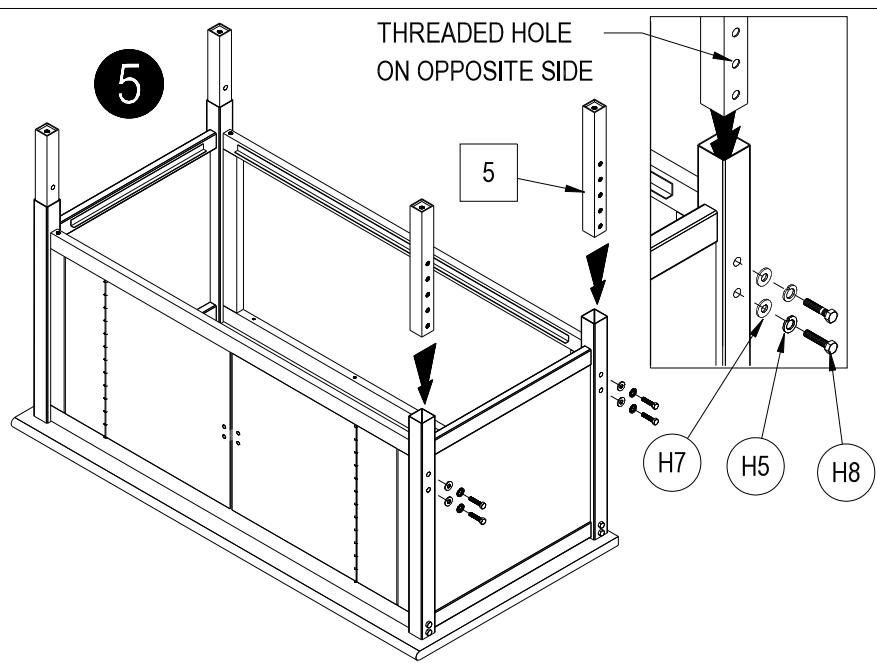
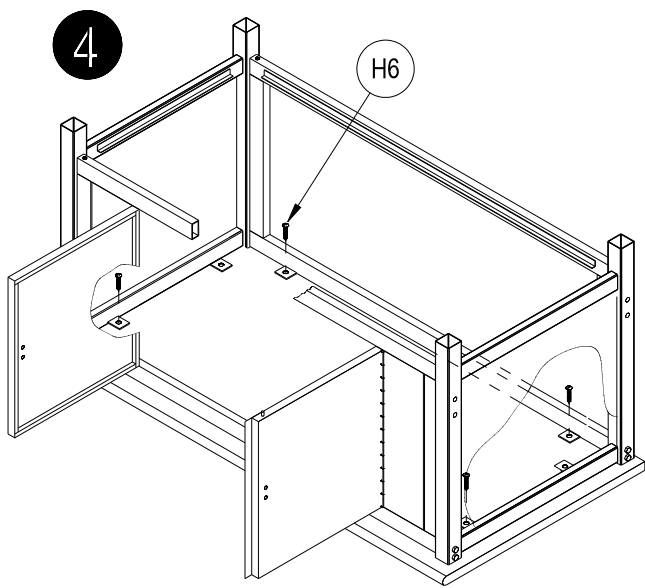
# HEAVY DUTY ENCLOSED WORKSTATION

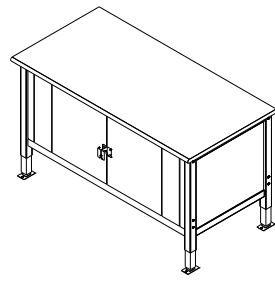
## ASSEMBLY INSTRUCTION

CONTENTS								
REF.	QTY.	DESCRIPTION	REF.	QTY.	DESCRIPTION	REF.	QTY.	DESCRIPTION
1	2	LEG	H1	4		H8	8	
2	1	BACK	H2	12		H9	4	
3	1	DOOR ASSEMBLY	H3	8		H10	4	
4	1	TOP	H4	8		H11	4	
5	4	LEG EXTENSION	H5	8		H12	2	
6	2	BOTTOM SHELF	H6	6		H13	2	
			H7	8		H14	4	

POSITION CABINET ON TOP OF WORK SURFACE  
 AND MARK PILOT HOLE LOCATIONS

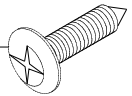


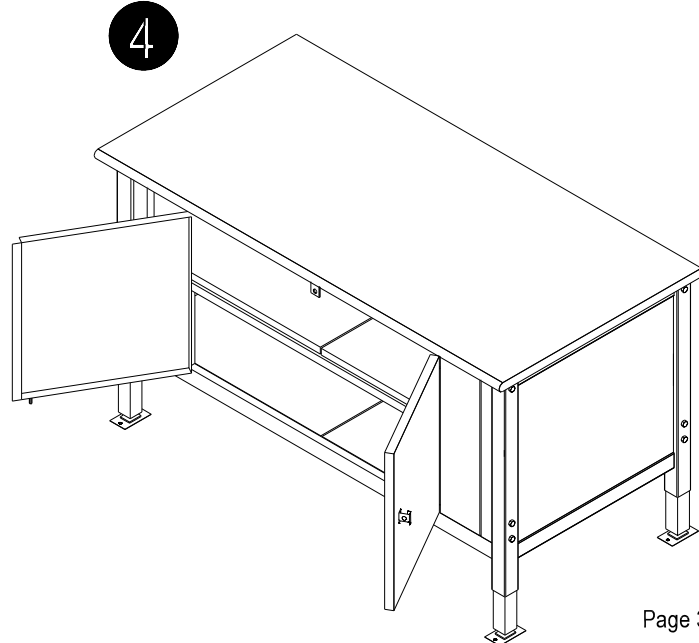
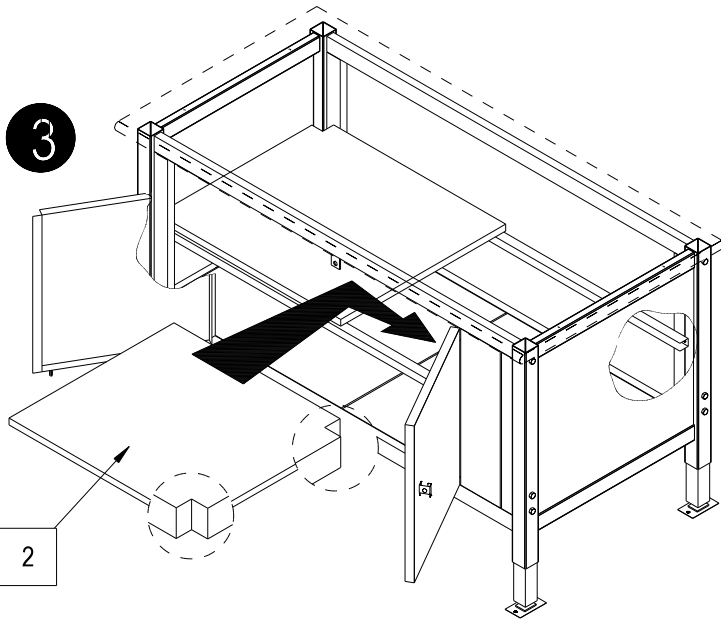
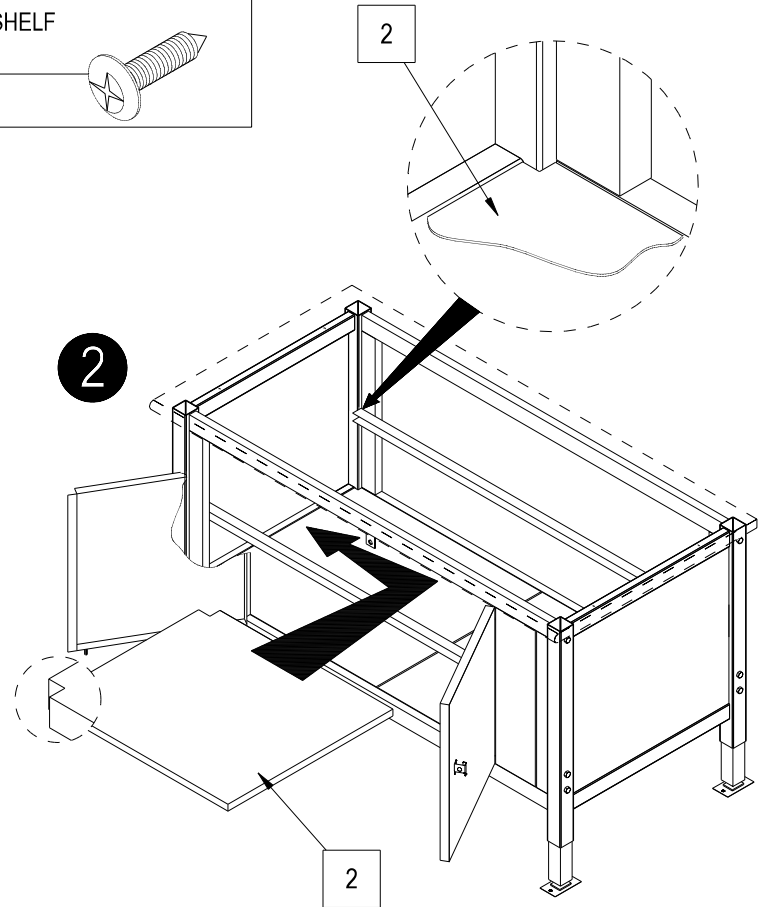
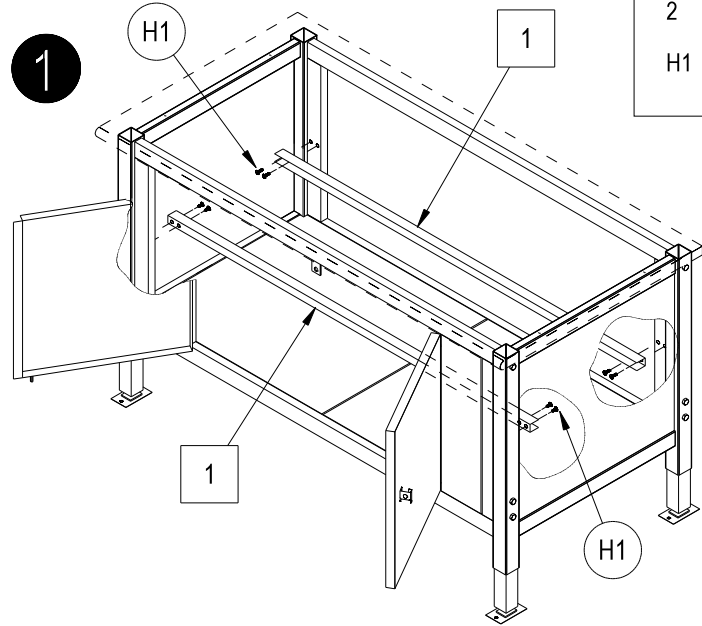
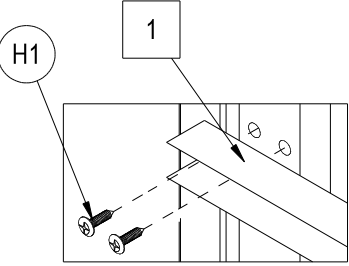




# HEAVY DUTY ENCLOSED WORKSTATION OPTIONAL SHELF

## ASSEMBLY INSTRUCTION

CONTENTS		
REF.	QTY.	DESCRIPTION
1	2	SHELF SUPPORT CHANEL
2	2	SHELF
H1	8	



30x60 - BLUE - 253827  
 TAN - 253828  
 30x72 - BLUE - 253829  
 TAN - 253830