



www.globalindustrial.com

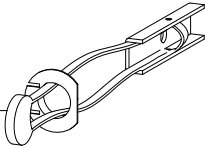

1-800-645-2986

### WALL HUNG DESK

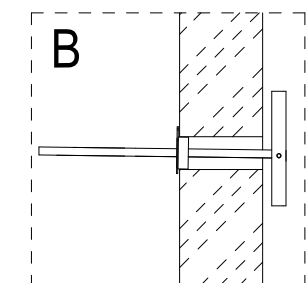
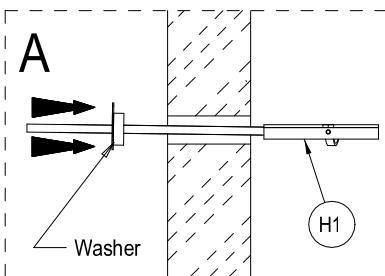
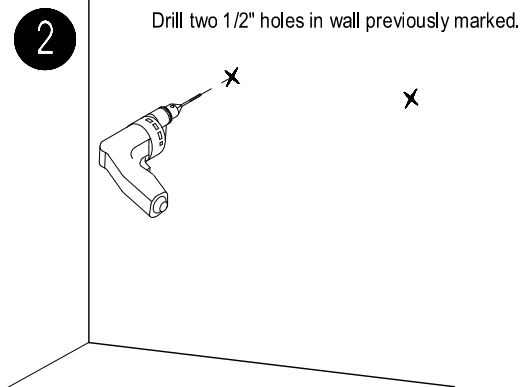
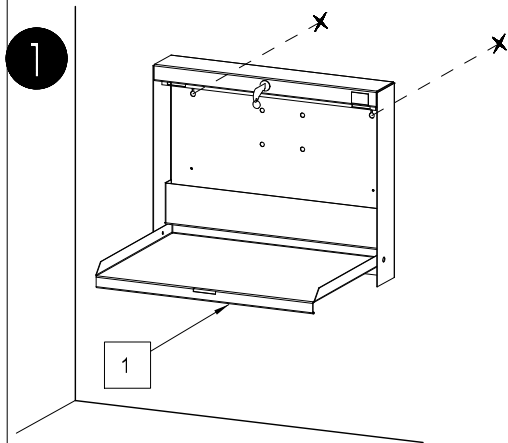
MODEL 249997

#### ASSEMBLY INSTRUCTION

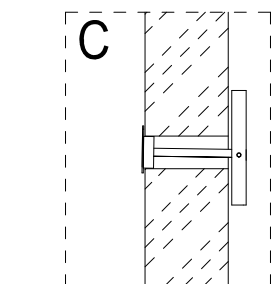
#### CONTENT

REF.	QTY.	DESCRIPTION
1	1	CABINET
2	2	HOLDER
H1	2	
H2	2	

Position the Wall Hung Desk on wall in desired location and using the pre-punched holes as a template mark location of mounting holes. Make sure Wall Hung is Level.



Pull Kap Toggle snugly against inside wall. Slide Washer evenly along straps until inner rim of Washer seats completely inside drilled hole.



Snap off plastic straps flush with washer.

