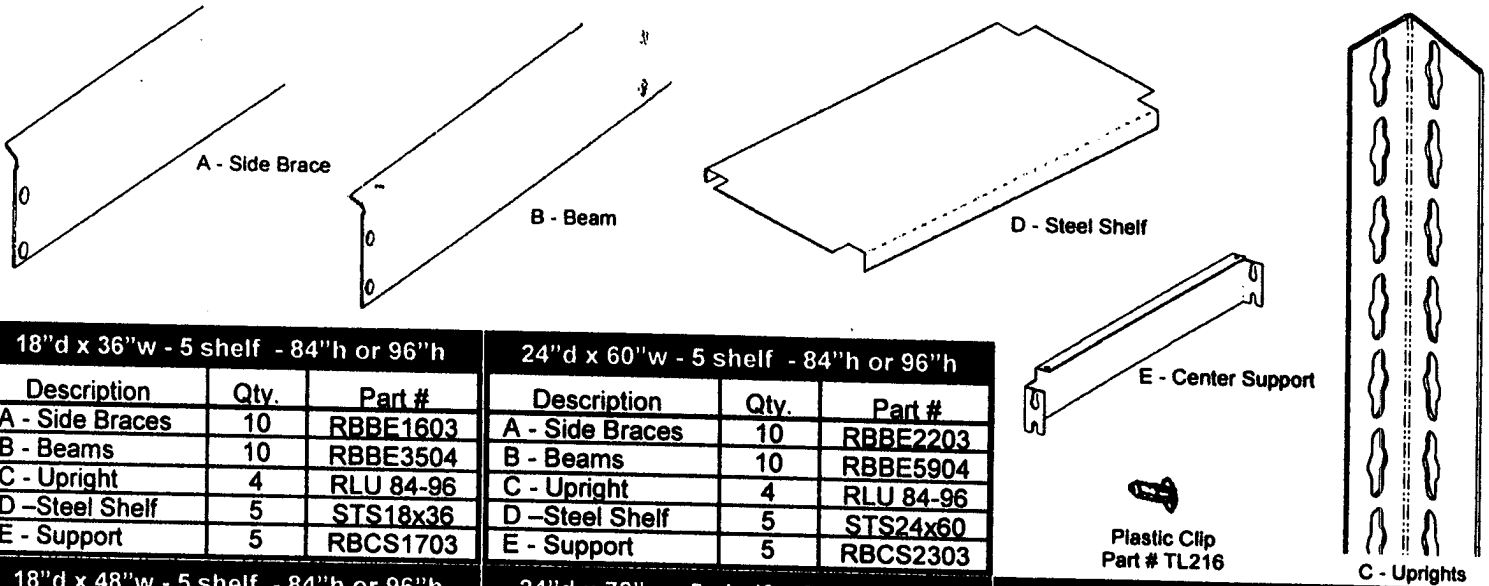


Heavy Duty Shelving

RL - Heavy Duty Shelving
5 - shelf Industrial



18" d x 36" w - 5 shelf - 84" h or 96" h

Description	Qty.	Part #
A - Side Braces	10	RBBE1603
B - Beams	10	RBBE3504
C - Upright	4	RLU 84-96
D - Steel Shelf	5	STS18x36
E - Support	5	RBCS1703

24" d x 60" w - 5 shelf - 84" h or 96" h

Description	Qty.	Part #
A - Side Braces	10	RBBE2203
B - Beams	10	RBBE5904
C - Upright	4	RLU 84-96
D - Steel Shelf	5	STS24x60
E - Support	5	RBCS2303

18" d x 48" w - 5 shelf - 84" h or 96" h

Description	Qty.	Part #
A - Side Braces	10	RBBE1603
B - Beams	10	RBBE4704
C - Upright	4	RLU 84-96
D - Steel Shelf	5	STS18x48
E - Support	5	RBCS1703

24" d x 72" w - 5 shelf - 84" h or 96" h

Description	Qty.	Part #
A - Side Braces	10	RBBE2203
B - Beams	10	RBBE7104
C - Upright	4	RLU 84-96
D - Steel Shelf	5	STS24x72
E - Support	10	RBCS2303

24" d x 96" w - 5 shelf - 84" h or 96" h

Description	Qty.	Part #
A - Side Braces	10	RBBE2203
B - Beams	10	RBBE9504
C - Upright	4	RLU 84-96
D - Steel Shelf	5	STS24x96
E - Support	10	RBCS2303

24" d x 48" w - 5 shelf - 84" h or 96" h

Description	Qty.	Part #
A - Side Braces	10	RBBE2203
B - Beams	10	RBBE4704
C - Upright	4	RLU 84-96
D - Steel Shelf	5	STS24x48
E - Support	5	RBCS2303

36" d x 72" w - 5 shelf - 84" h or 96" h

Description	Qty.	Part #
A - Side Braces	10	RBBE3403
B - Beams	10	RBBE7104
C - Upright	4	RLU 84-96
D - Steel Shelf	5	STS36x72
E - Support	10	RBCS3503

36" d x 96" w - 5 shelf - 84" h or 96" h

Description	Qty.	Part #
A - Side Braces	10	RBBE3403
B - Beams	10	RBBE9504
C - Upright	4	RLU 84-96
D - Steel Shelf	5	STS36x96
E - Support	10	RBCS3503

Safety Instructions

These units should be placed on a level surface. Failure to do so can result in poor product performance or create a possible safety hazard. This unit should be securely anchored to a wall or floor with suitable fasteners, which are not included. Do not use this unit for anything other than the manufactures intended purpose. **DO NOT STAND ON ANY PART OF THE UNIT, OR USE IT AS A LADDER.** Evenly distribute the weight on each level and always keep the heavier loads on the bottom. Use care when working with metal parts.

General Instructions

Assembly is done with the rivets of the beams and side braces fitting into the slots of the uprights. A rubber mallet may be used on the beams and side braces to seat the rivets properly. A hammer can also be used, providing one uses a cloth or a block of wood between the hammer head and the parts to prevent damage. Tap gently and be sure the rivets are straight and fully engaged.

Should you have any comments, damage, missing parts, or problems with assembly of this unit please feel free to contact our Edsal manufacturing facility at, (773) 475-3000 and request customer service. We can also be reached on the internet at the following email address : customerservice@edsal.com.

To obtain replacement parts, please provide the following information :

- Model # - Part # & Description - Location Purchased - Date Purchased

Assembly Instructions for RL - Heavy Duty Shelving

Step

1

Figure A

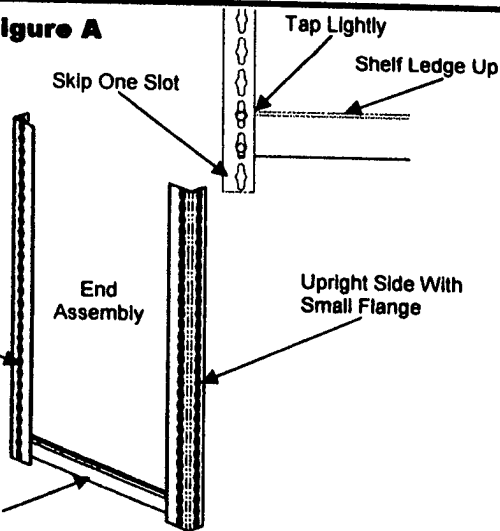
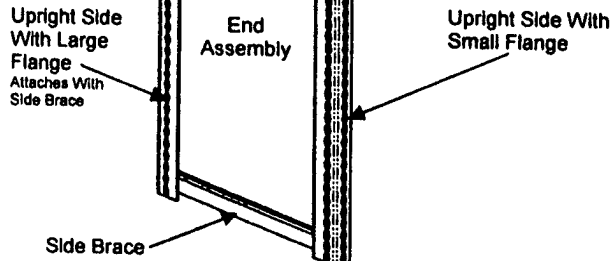


Figure B

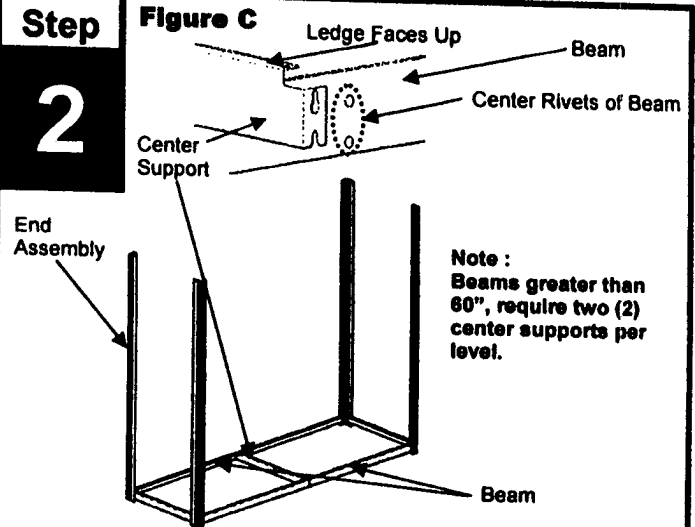


Assemble two (2) uprights with one (1) side brace to create one end assembly. Skip one (1) slot from the bottom of the upright, and place the rivets of the brace with the shelf ledge up into the larger flanged side of the upright slots (see figures A/B). Tap lightly to seat rivets. Repeat this process using the two (2) remaining uprights and one (1) of the remaining side braces to complete the opposite end assembly (see figure B).

Step

2

Figure C



Take the two (2) end assemblies and add beams to create the first level. Place the rivets of the beams into the upright slots even with the side braces from the end units. Tap down lightly to properly seat the rivets. Next take a center support, and locate the center rivets of the beams. With the ledge facing up, place the slot of the center support to the top rivet of the beam, and the notch of the center support to the bottom rivet of the beam (see figure C). Do this on both ends of the center support, and tap down to properly seat the rivets.

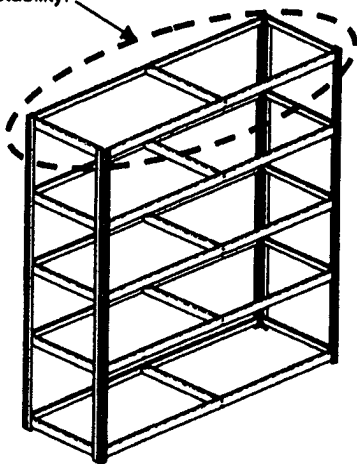
IMPORTANT NOTE : Make sure all rivets are fully seated into the upright slots.

Step

3

Assemble the top level first for safety and stability.

Figure D

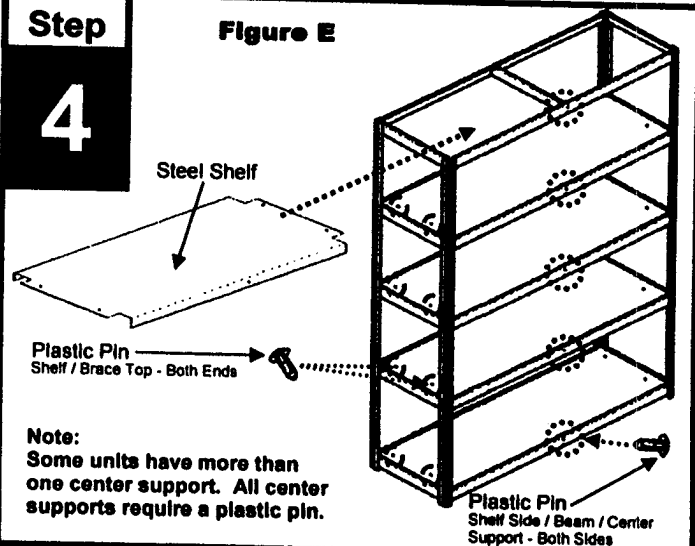


Continue assembly by using two (2) side braces, two (2) beams, and the necessary center supports to complete the top level of the unit (see figure D). Use the top two (2) holes of the uprights when installing the top beams and side braces. Install the last three levels of beams, side braces and center supports spaced equally apart. Tap down to properly seat rivets.

Step

4

Figure E



Install the steel shelves to each level. Install the supplied plastic pins through the holes located on the beam side of the shelf (see figure E). Push clips through the shelf and beam into the center support (front and back side). Install plastic pins in the holes located on the top of the shelf and side brace ends (see figure E). Push clips through the shelf and into the side brace.