

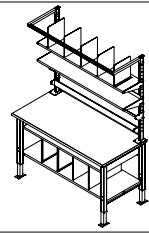


www.globalindustrial.com

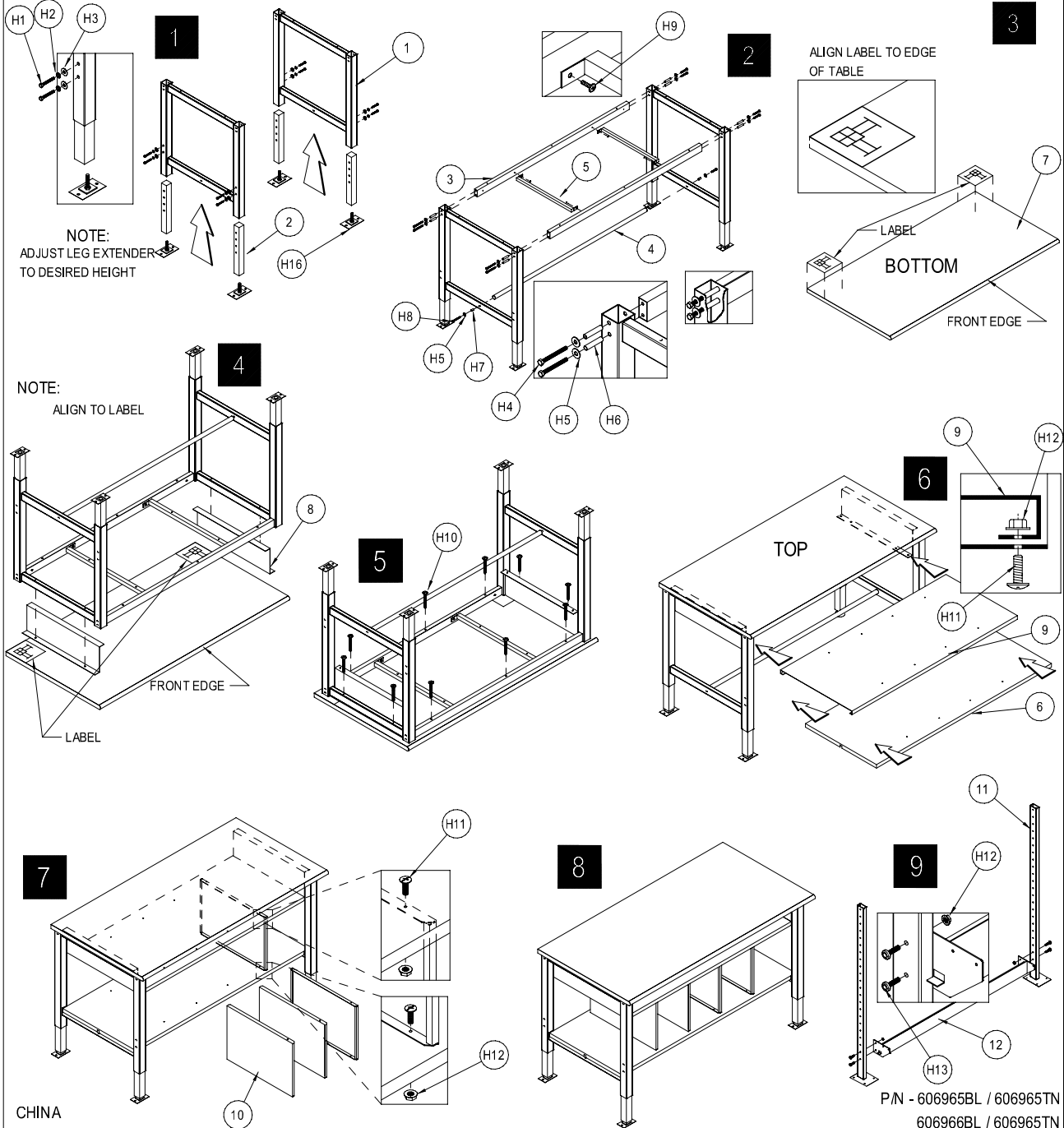
1-800-645-2986

PACKAGING BENCH

ASSEMBLY INSTRUCTION CONTENTS

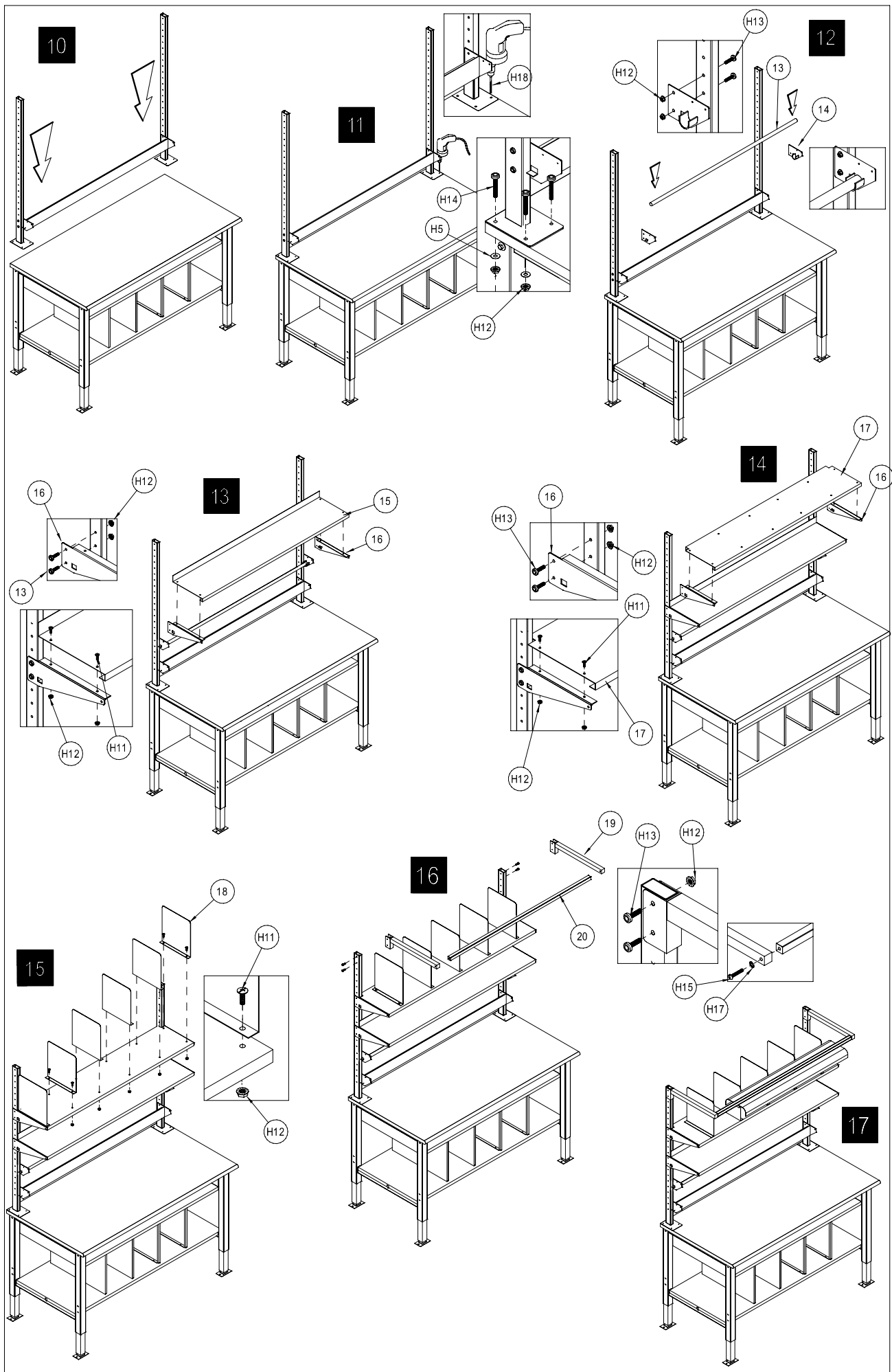


REF.	QTY.	DESCRIPTOPN	REF.	QTY.	DESCRIPTOPN	REF.	QTY.	DESCRIPTOPN	REF.	QTY.	DESCRIPTOPN
1	2	LEG	11	2	UPRIGHT	H1	8		H9	4	
2	4	LEG EXTENDER	12	1	BIN RACK	H2	8		H10	10	
3	2	STRINGER	13	1	REEL HOLDER	H3	8		H11	44	
4	1	FOOT REST	14	2	REEL HOLDER BRACKET	H4	8		H12	74	
5	2	DRAWER SUPPORT	15	1	SHELF	H5	10		H13	20	
6	1	LOWER SHELF	16	4	SHELF BRACKET	H6	8		H14	8	
7	1	TOP	17	1	DIVDER SHELF	H7	2		H15	2	
8	2	UPPER SHELF SUPPORT	18	6	UPPER SHELF DIVIDER	H8	2		H16	4	
9	1	UPPER SHELF	19	2	LIGHT HOLDER BRACKET	H9	2		H17	2	
10	4	LOWER SHELF DIVIDER	20	1	LIGHT HOLDER	H18	1		H18	1	



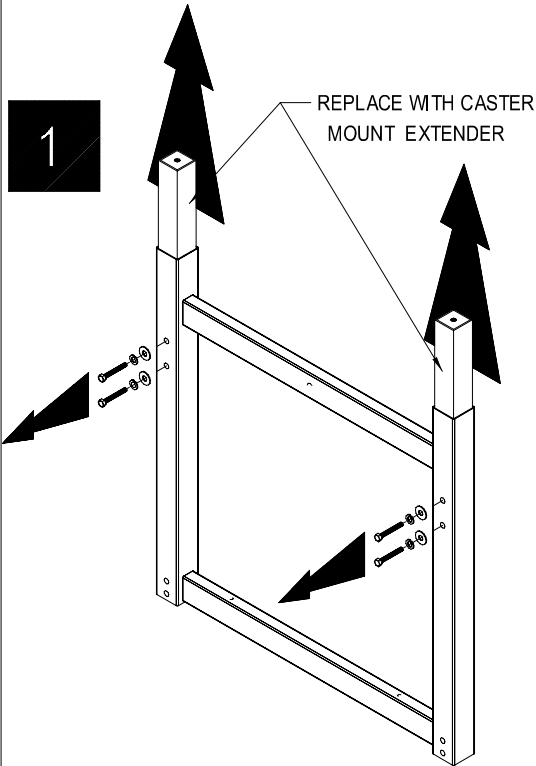
CHINA



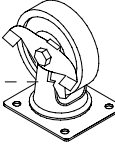
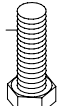
P/N - 606965BL / 606965TN
606966BL / 606965TN

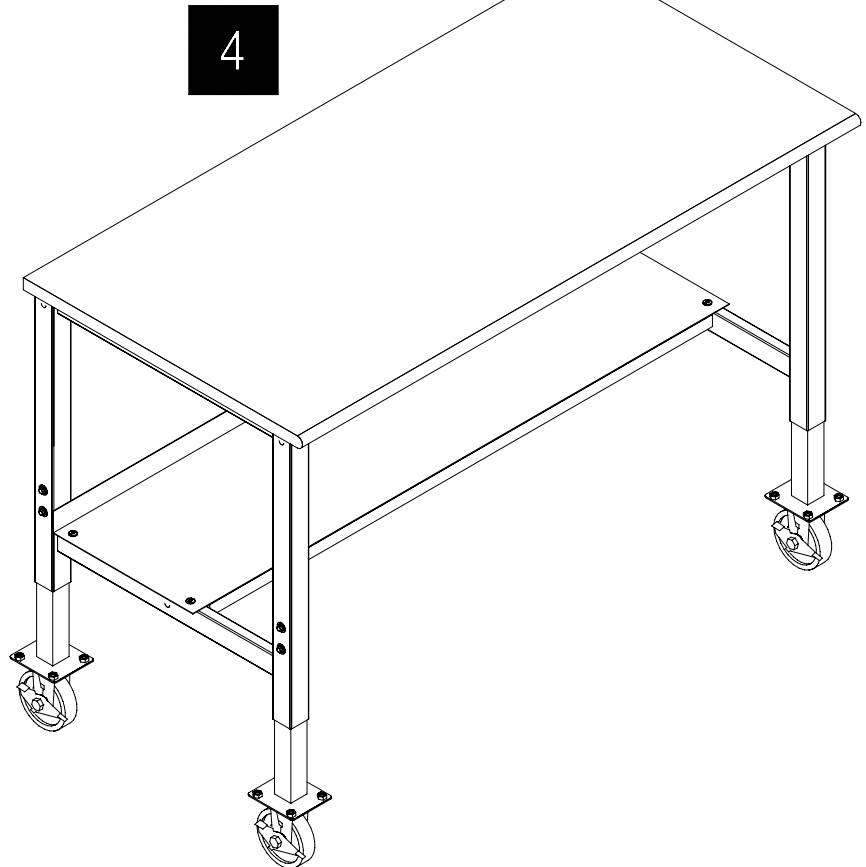
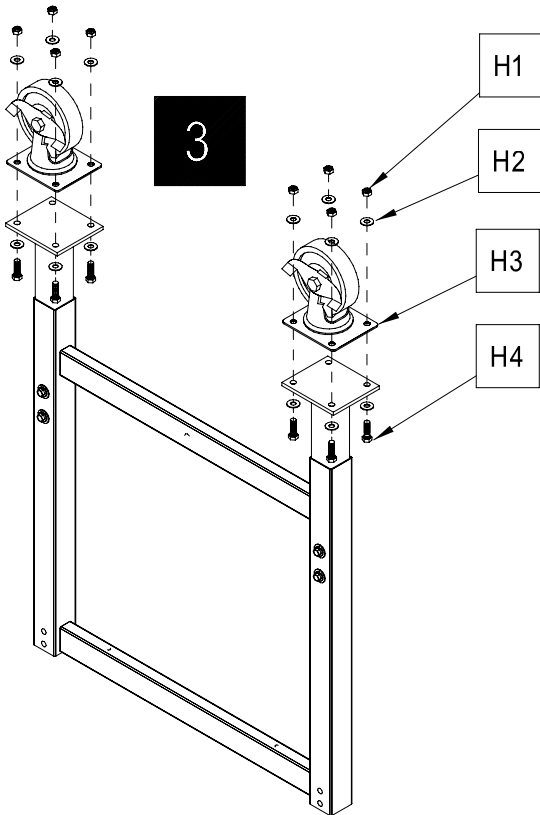
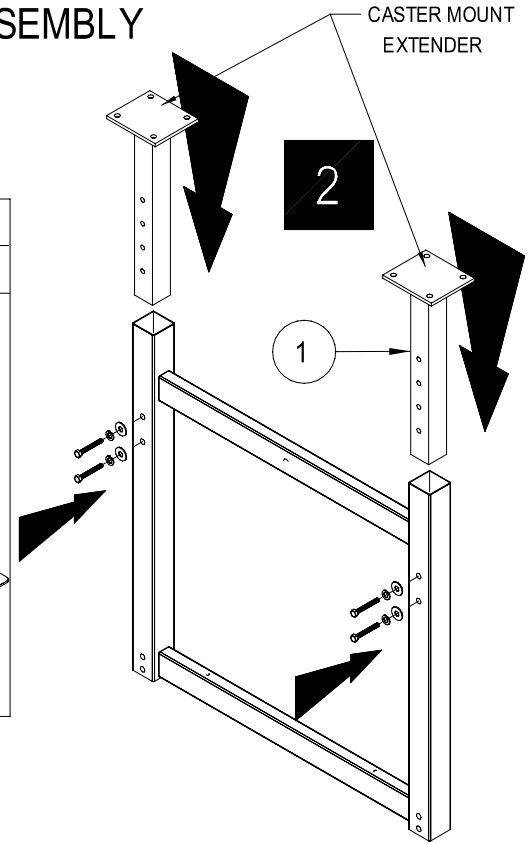


OPTIONAL CASTER MOUNT ASSEMBLY

ASSEMBLY INSTRUCTION



CONTENTS		
REF.	QTY.	DESCRIPTION
1	4	LEG EXTENDER
H1	16	
H2	32	
H3	4	
H4	16	



NOW THAT YOU HAVE ASSEMBLED THE NEW MOBILE LEG, FOLLOW THE BENCH ASSEMBLE INSTRUCTION PACKED WITH THE BENCH.