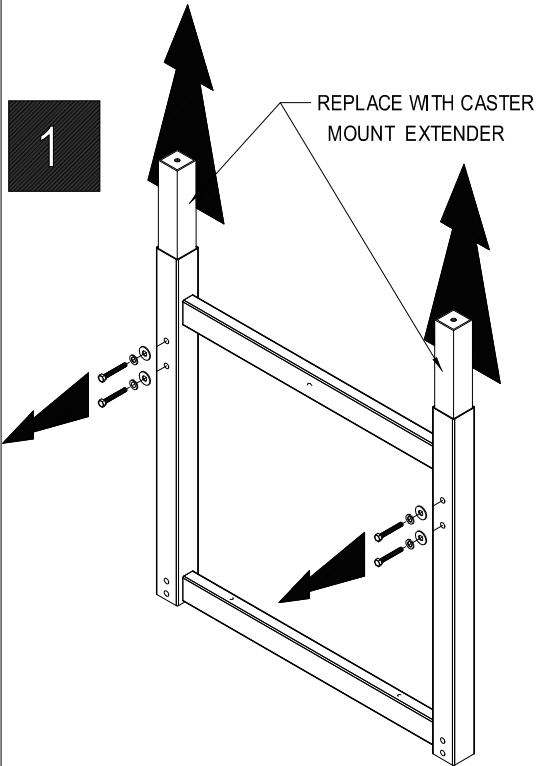


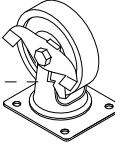
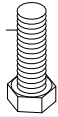
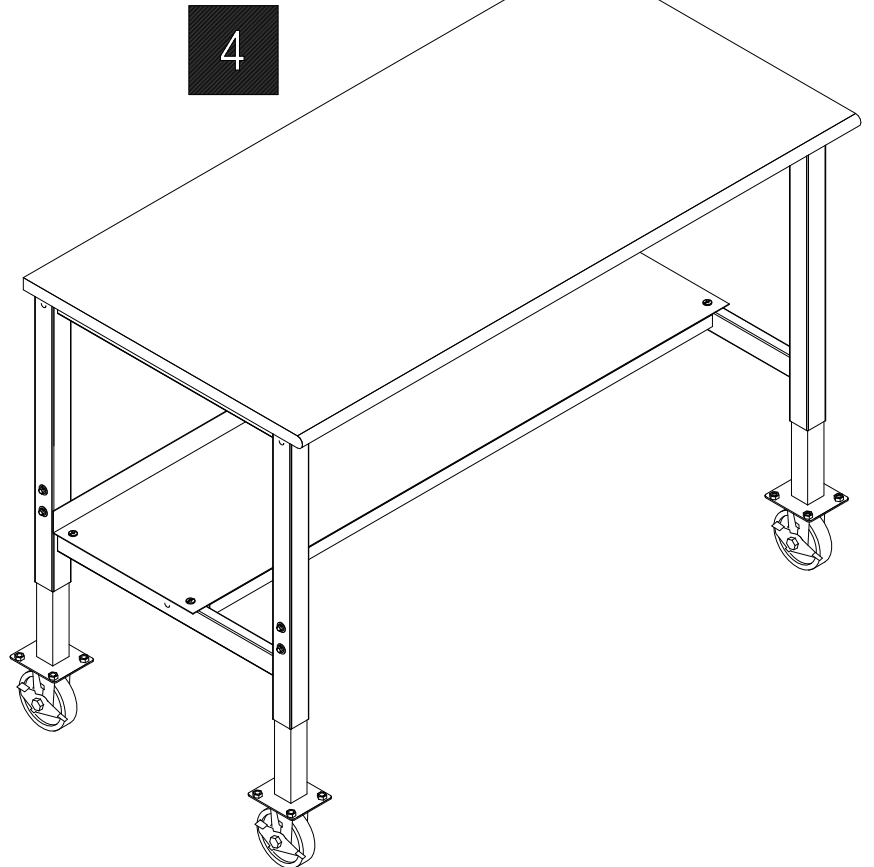
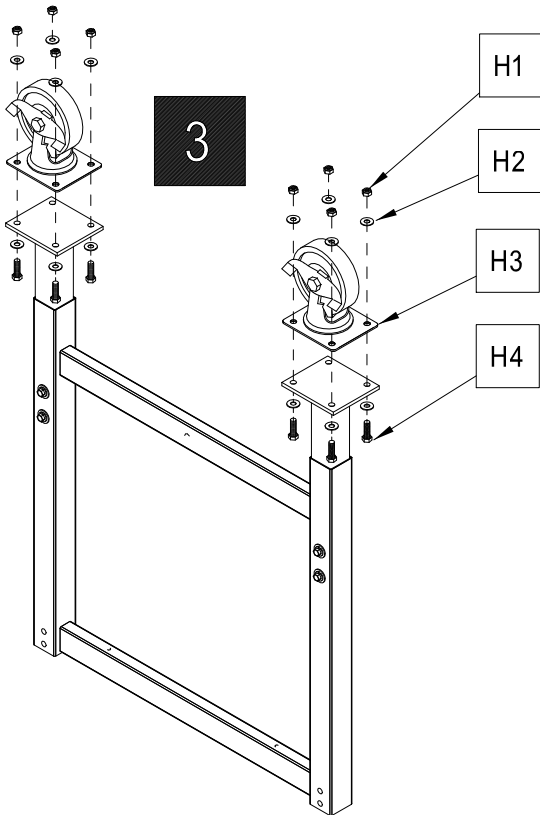
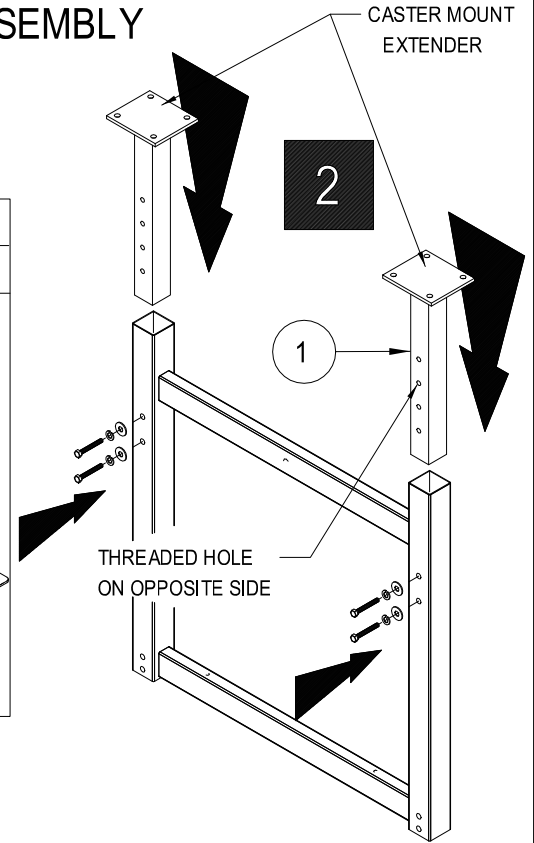


OPTIONAL CASTER MOUNT ASSEMBLY

ASSEMBLY INSTRUCTION



CONTENTS		
REF.	QTY.	DESCRIPTION
1	4	LEG EXTENDER
H1	16	
H2	32	
H3	4	
H4	16	



NOW THAT YOU HAVE ASSEMBLED THE NEW MOBILE LEG, FOLLOW THE BENCH ASSEMBLE INSTRUCTION PACKED WITH THE BENCH.