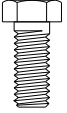

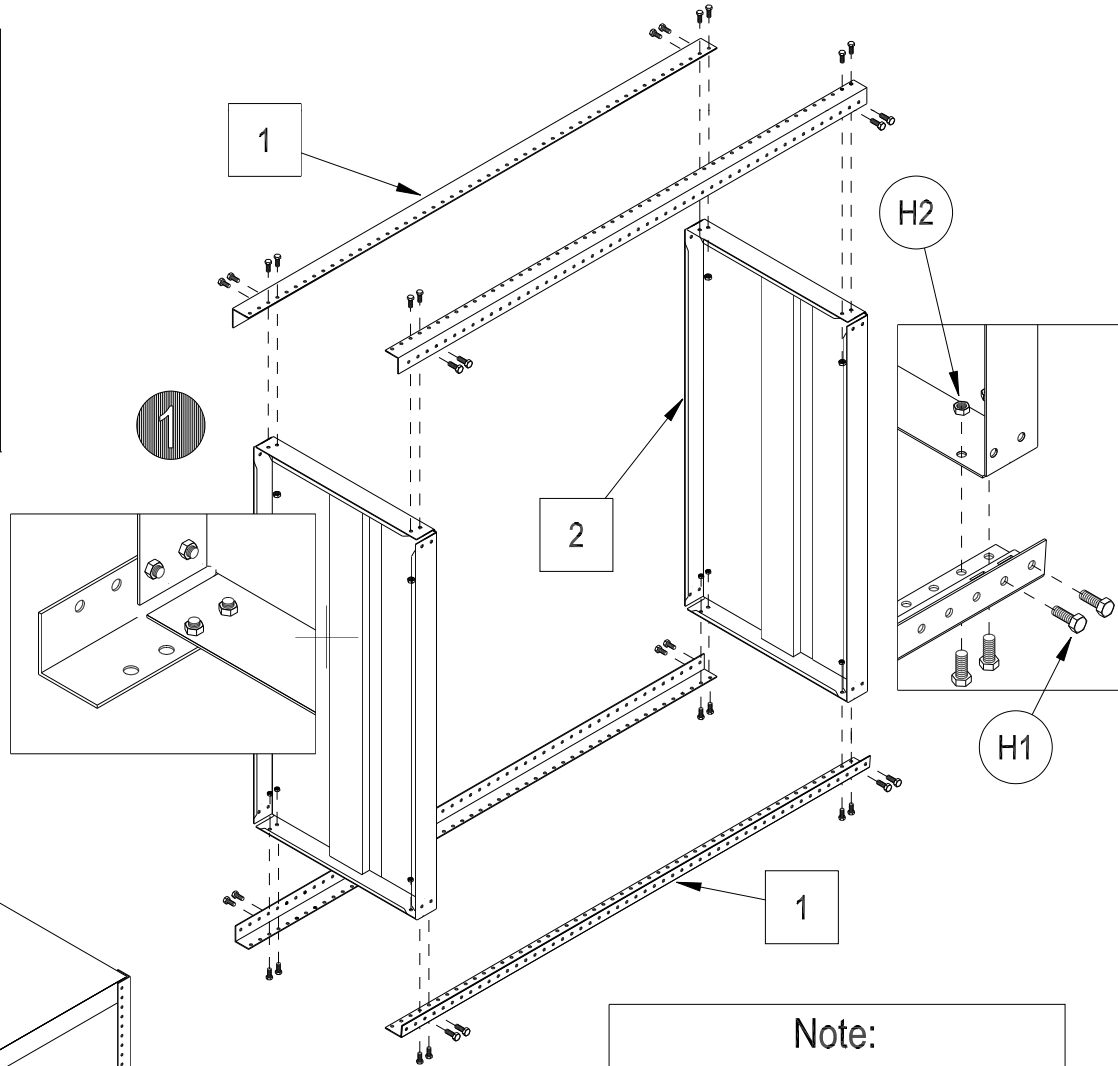
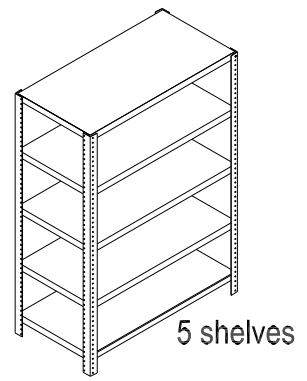
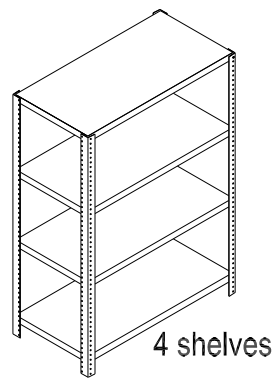
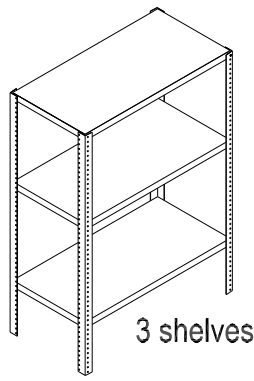


Assembly Instruction

Extra Heavy Duty Shelving

CONTENTS

REF.	QTY.	DESCRIPTION
1	4	POST
2	5	SHELF
* PER SHELF		
H1	16	1/4-20 x 3/4 Lg. Hex Head Bolt 
H2	16	1/4-20 Serrated Flange Hex Nut 



Note:
Attach shelves to desired location

