



www.globalindustrial.com

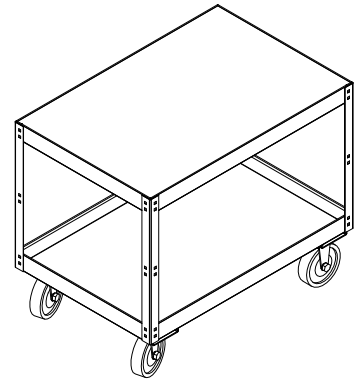
1-800-645-2986

PORTABLE STEEL TABLE

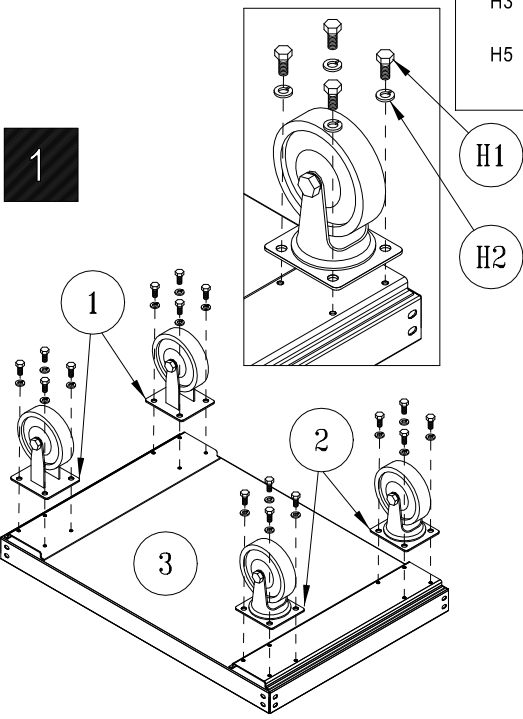
ASSEMBLY INSTRUCTION

CONTENTS

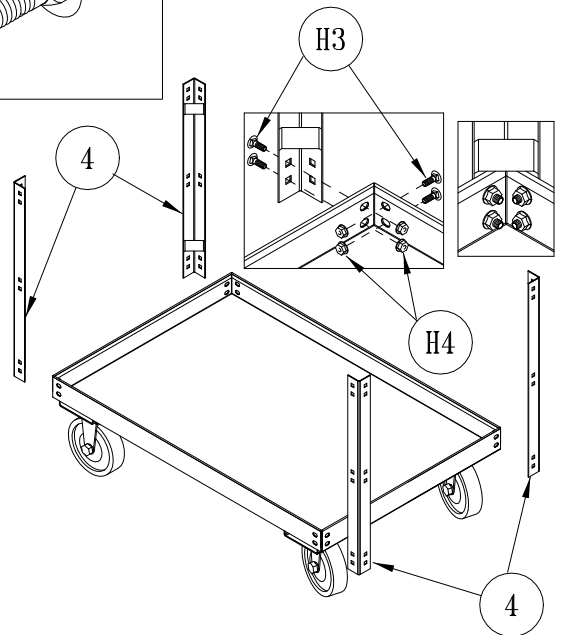
REF.	QTY.	DESCRIPTION
1	2	RIGID CASTER
2	2	SWIVEL CASTER
3	1	DECK
4	4	LEG
5	1	TRAY
H1	16	
H2	16	
H3	32	
H5	32	



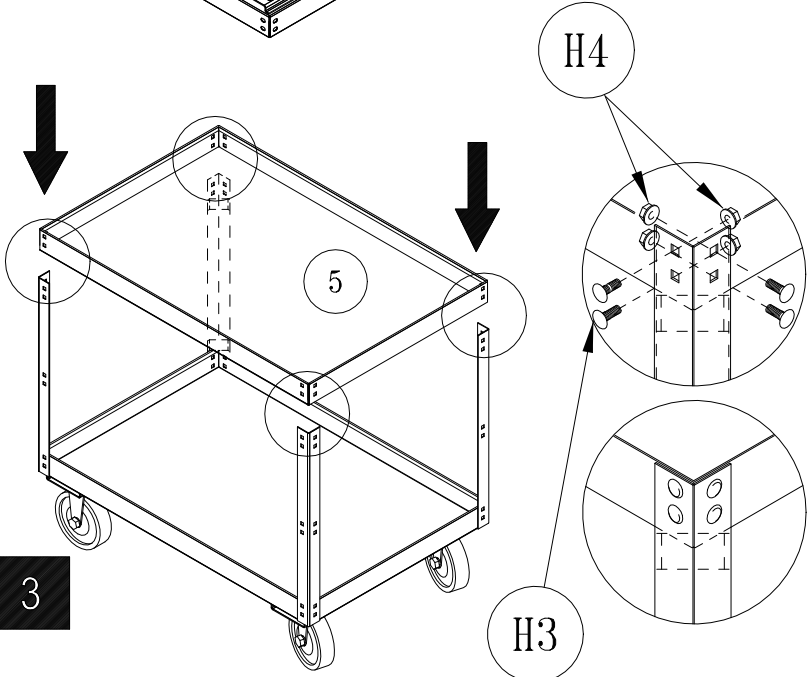
1



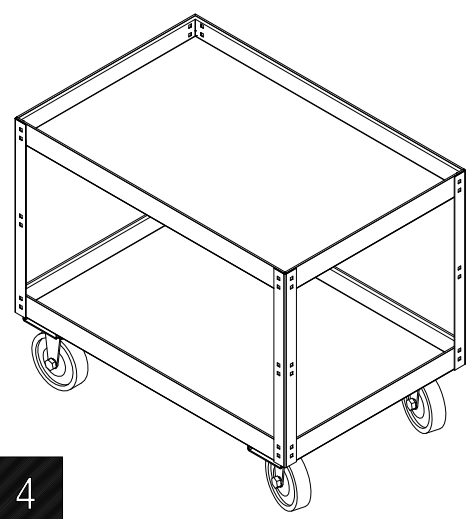
2



3



4





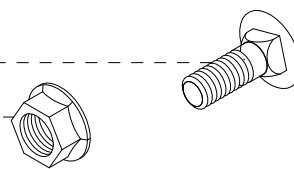
www.globalindustrial.com

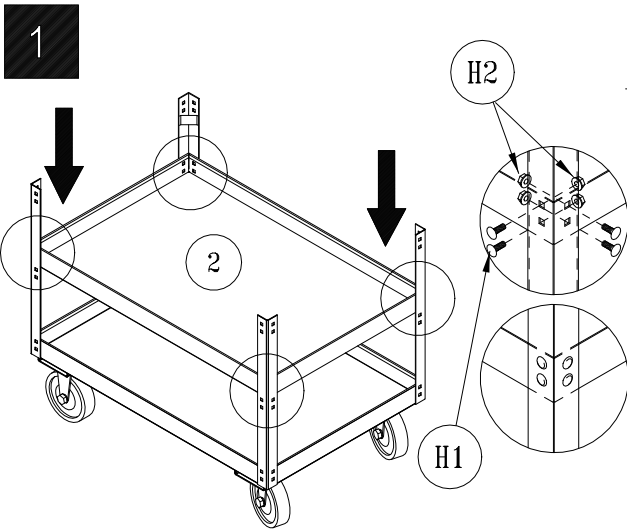
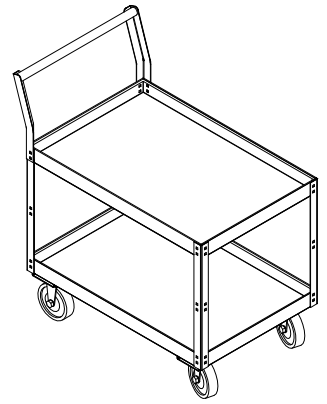
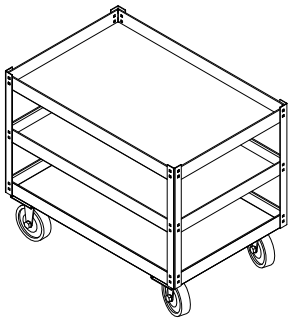
1-800-645-2986

OPTIONAL HANDLE AND SHELF

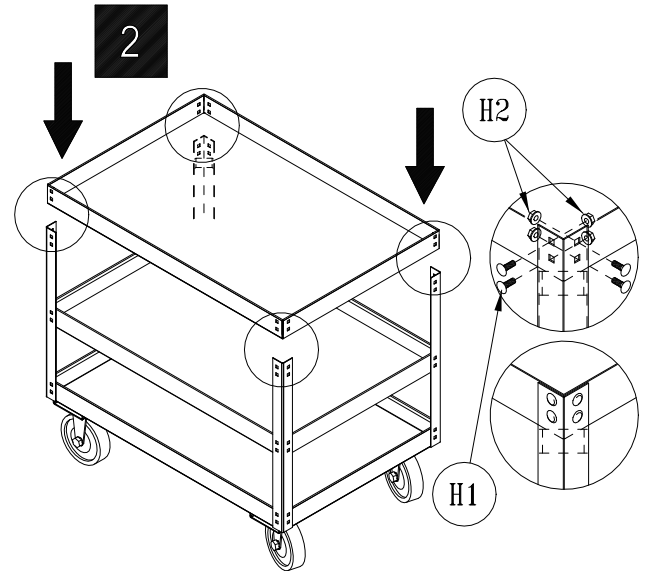
ASSEMBLY INSTRUCTION

CONTENTS

REF.	QTY.	DESCRIPTION
1	1	HANDLE
H1	16	
H2	16	



SHELF



HANDLE

