

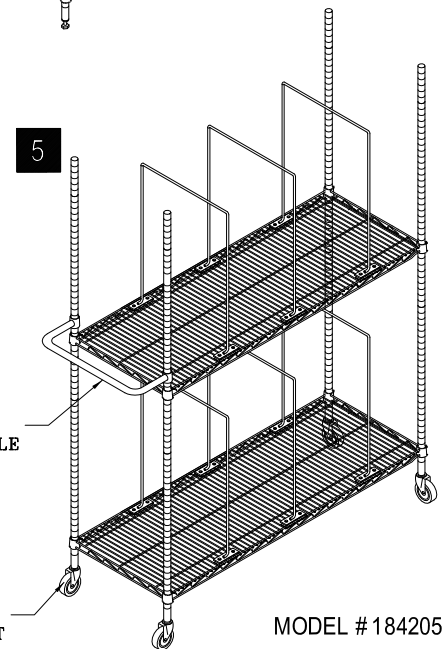
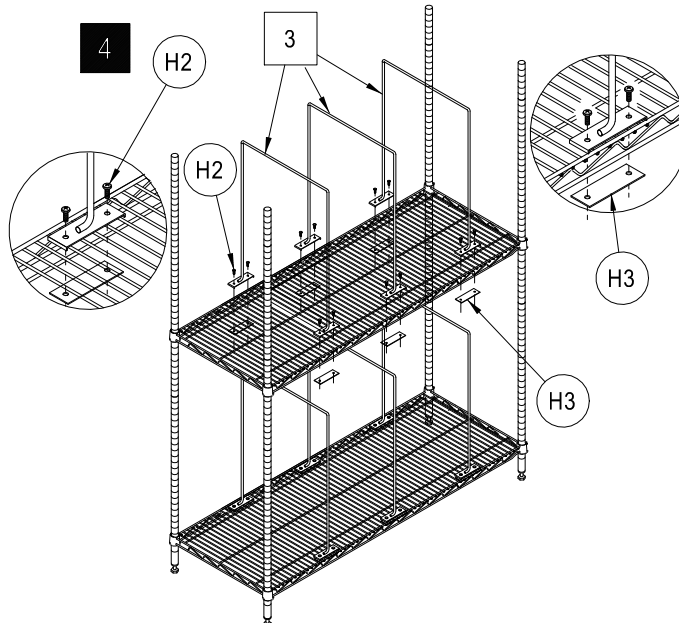
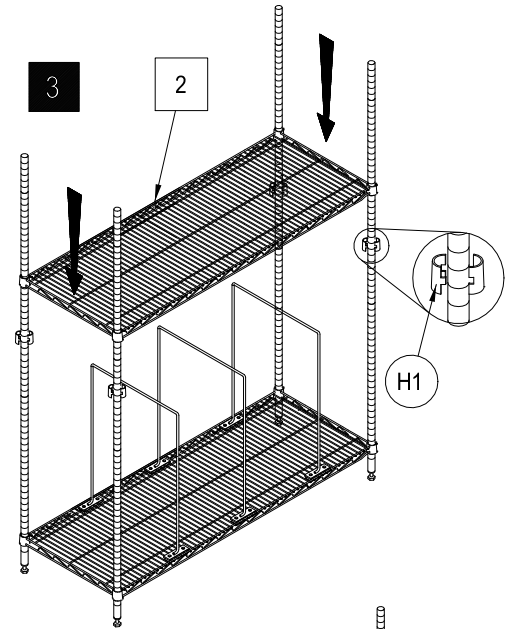
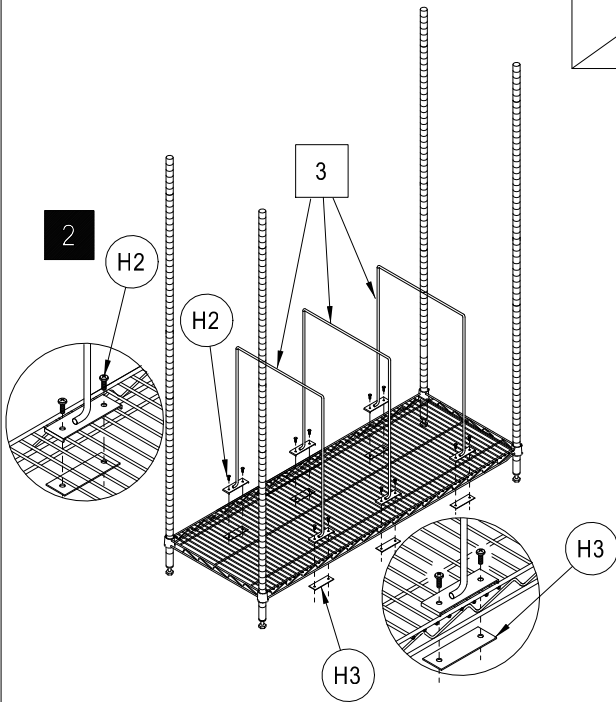
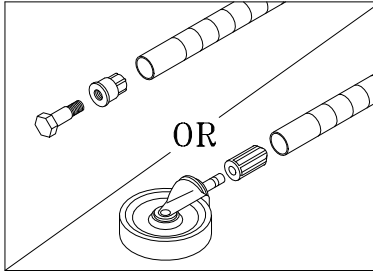
1-800-645-2986
www.nexelwire.com

DUAL LEVEL WIRE CARTON STAND

ASSEMBLE INSTRUCTION

CONTENTS

REF.	QTY.	DESCRIPTION
1	4	POST
2	2	SHELF
3	6	DIVIDER
H1	8	
H2	24	
H3	12	



OPTIONAL
PUSH HANDLE

OPTIONAL
CASTER SET

MODEL # 184205