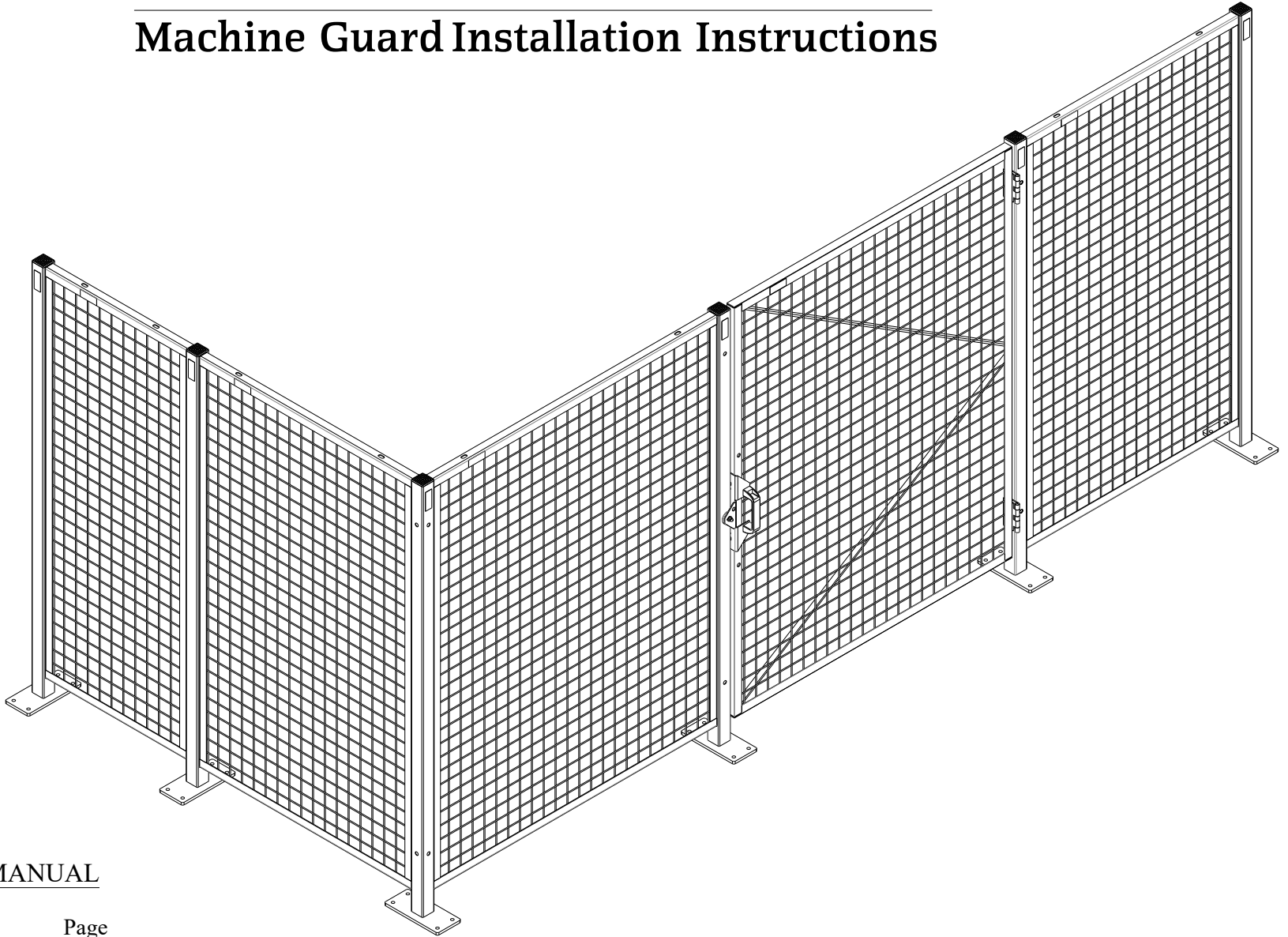


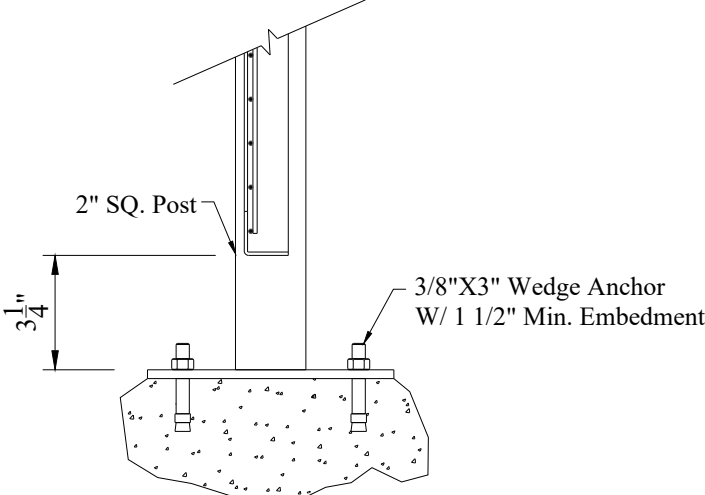
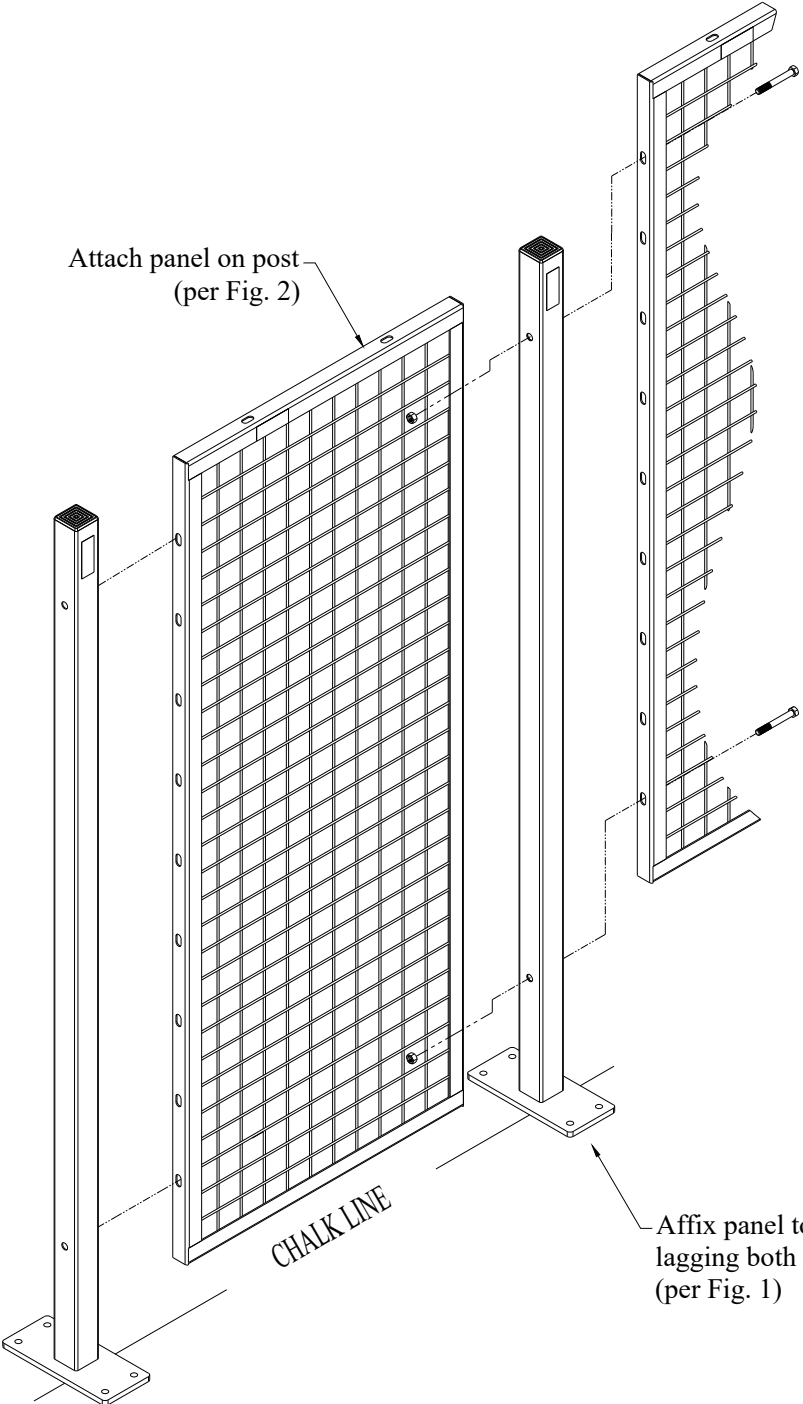
# Global Industrial

## Machine Guard Installation Instructions

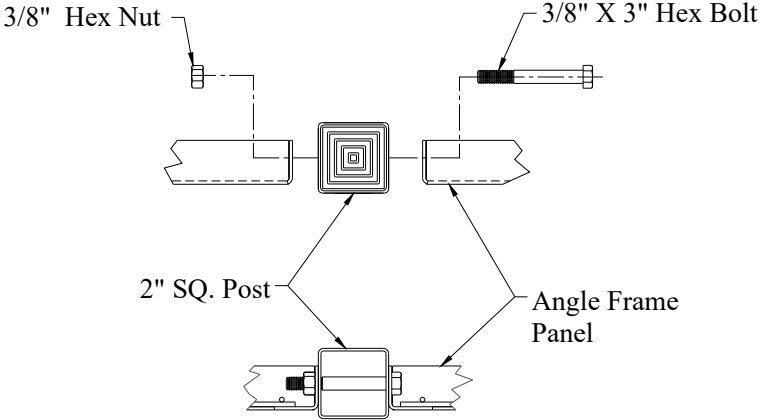


### INCLUDED IN THIS MANUAL

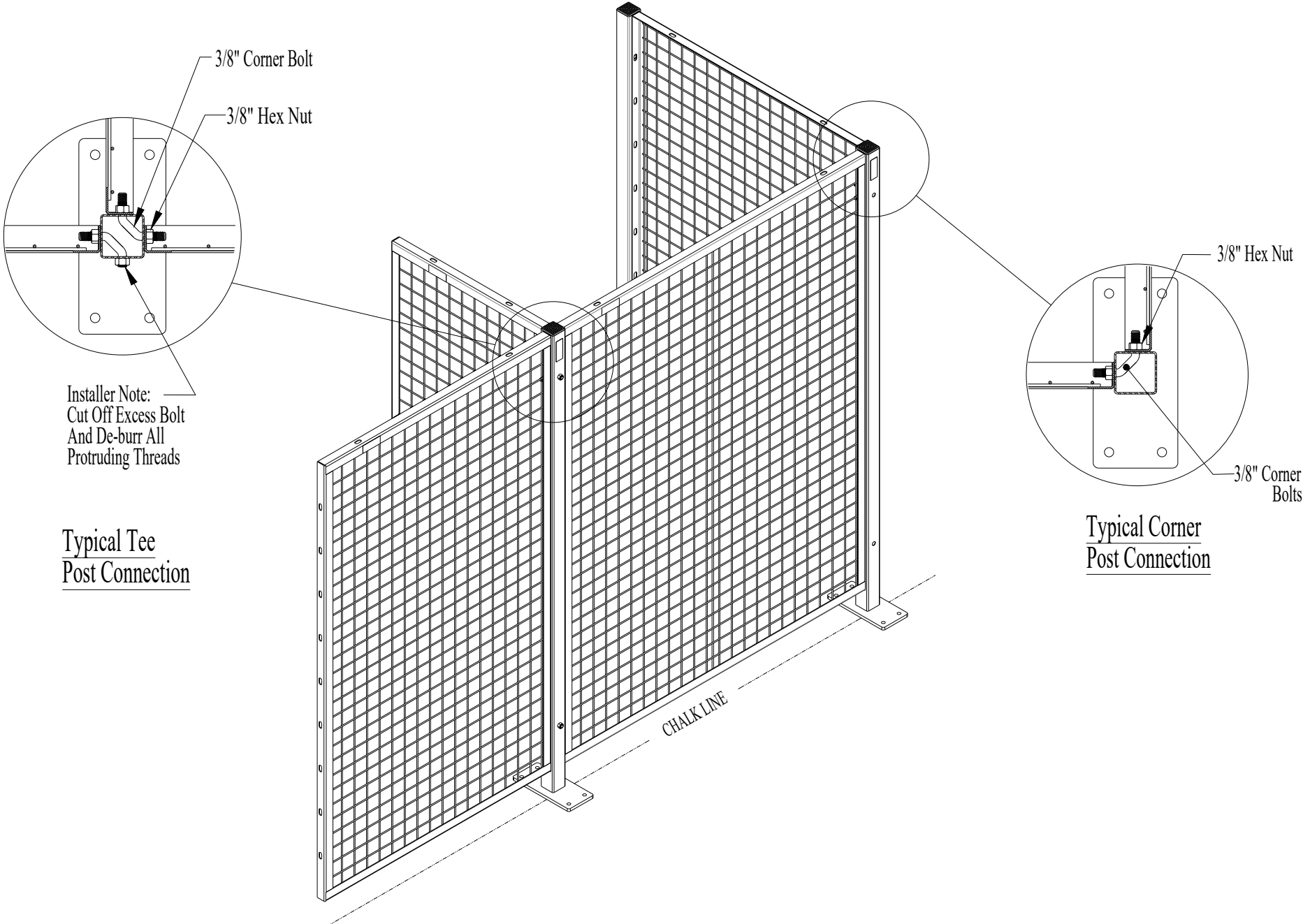
<u>Description</u>	<u>Page</u>
Panels and Posts	2 - 3
Hinge Door Hardware Pack	4
Hinge Door	5
Hinge Door Magnet Latch	6
Hinge Door Padlock Option	7



**Fig. 1**



**Fig. 2**



3/8" Corner Bolt  
3/8" Hex Nut

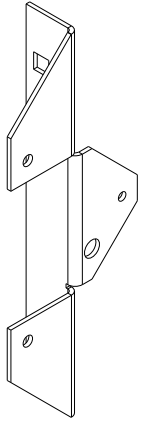
Installer Note:  
Cut Off Excess Bolt  
And De-burr All  
Protruding Threads

Typical Tee  
Post Connection

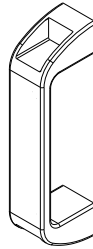
3/8" Hex Nut  
3/8" Corner Bolts

Typical Corner  
Post Connection

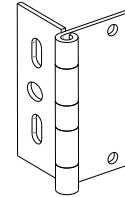
CHALK LINE



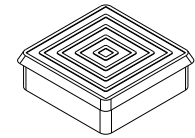
Bolt-On Door Handle Bracket  
Quantity (1)  
Part# HDPBBKTHNDL



Door Handle  
Quantity (1)  
Part# RGHANDLE



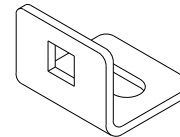
Door Hinge  
Quantity (2)  
Part# HDHG441



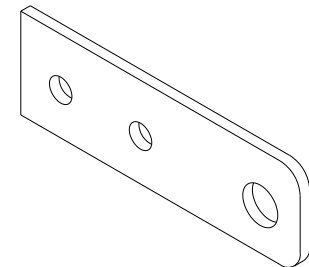
Post Cap  
Quantity (2)  
Part# PCAPPLST

## GLHDFSPK - Fastener Pack (Contents Below)

- (2) FS1412BHSCS - 1/4"-20 Button Head Sockets
- (8) FS14SDST - 1/4"-14 x 1" Self-Drilling & Tapping Screws
- (4) FS381 - 3/8"-18 x 1" Hex Head Bolt
- (4) FS38N - 3/8" Hex Nut
- (3) FS381CB - 3/8"-18 x 1" Carriage Bolt
- (3) FS38LN - 3/8" Lock Nut
- (1) HDPBMAG - Bolt-On Magnet
- (1) HDPBMAGANUT - M6-1.0 Stainless Steel Acorn Nut
- (1) HDPBMAGWSHR - Bonded Sealing Washer



Padlock lug (door)  
Quantity (1)  
Part# HDANPLL



Padlock Lug (post)  
Quantity (1)  
Part# HDFLPLLI

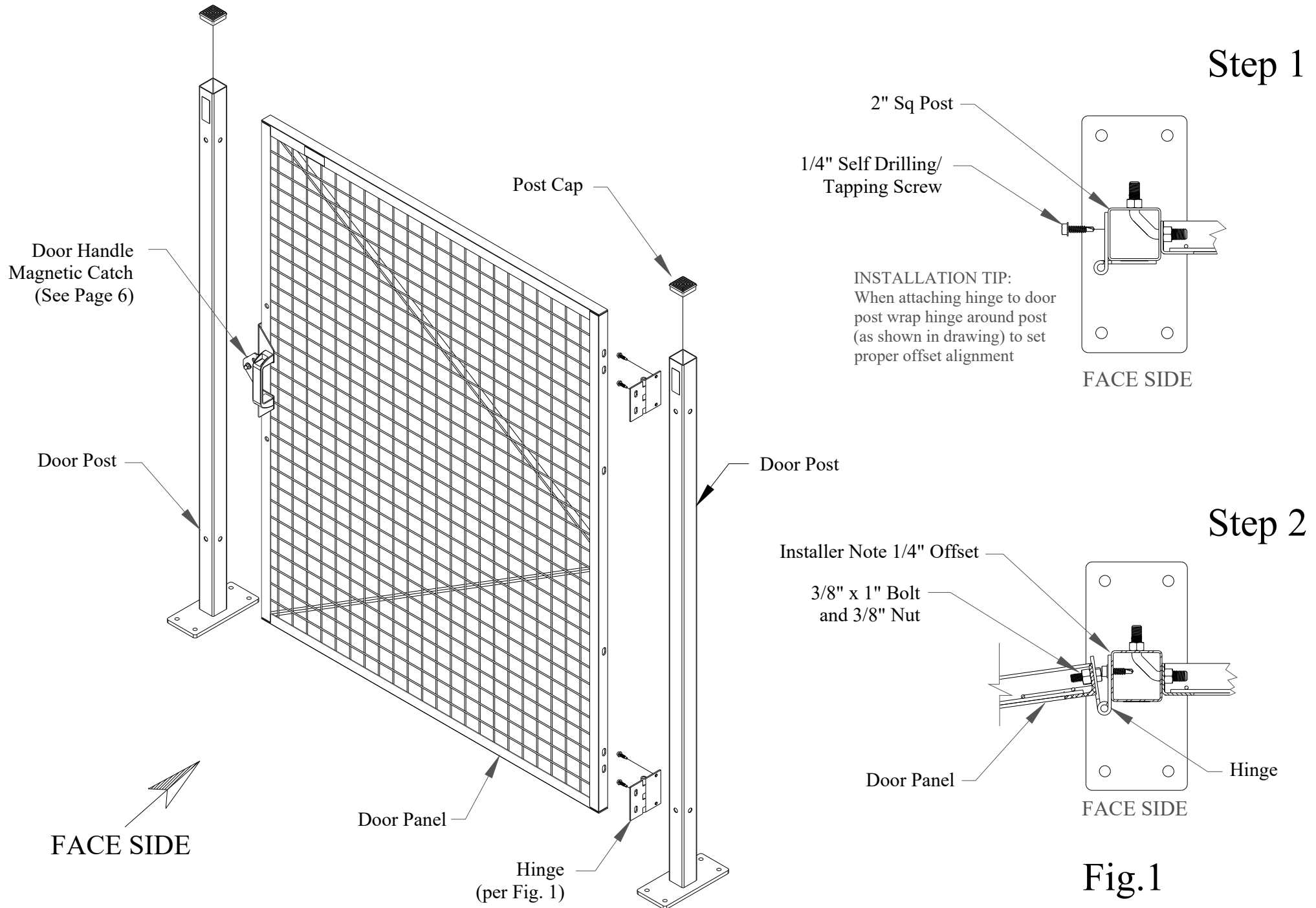
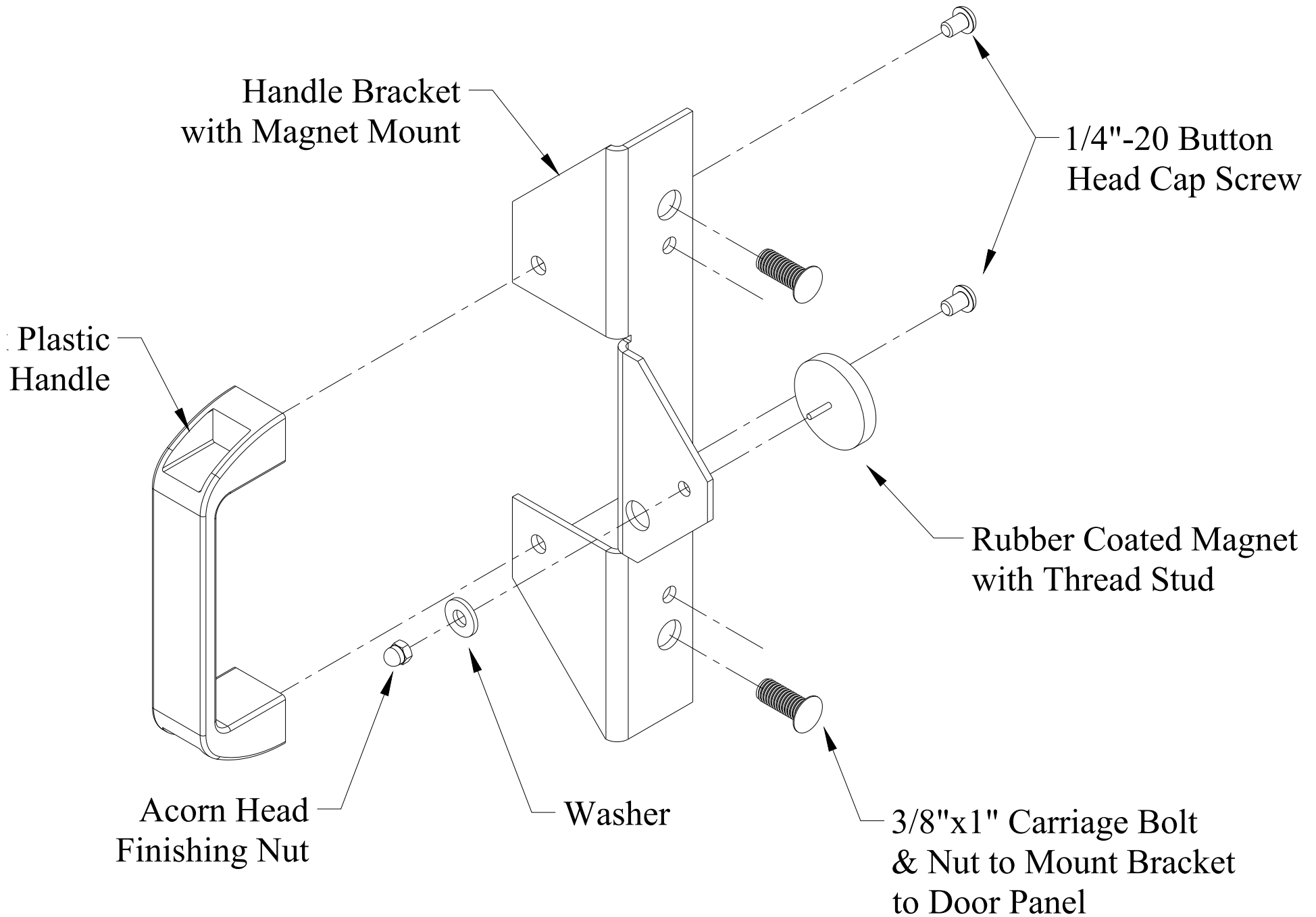
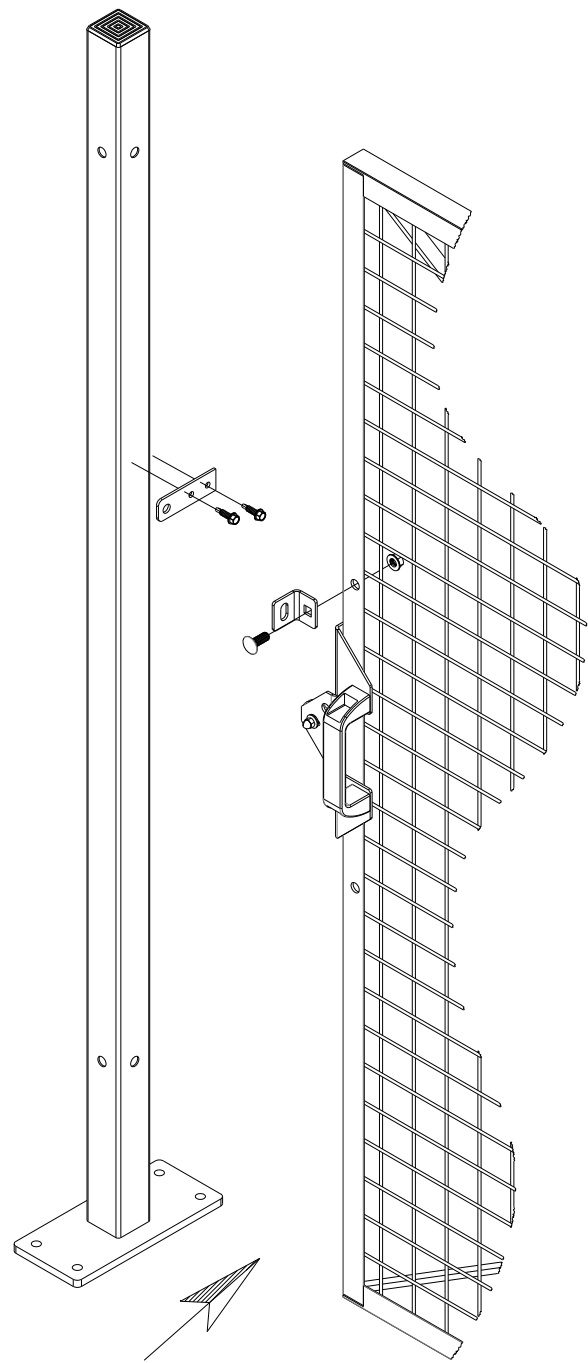


Fig. 1





FACE SIDE

