



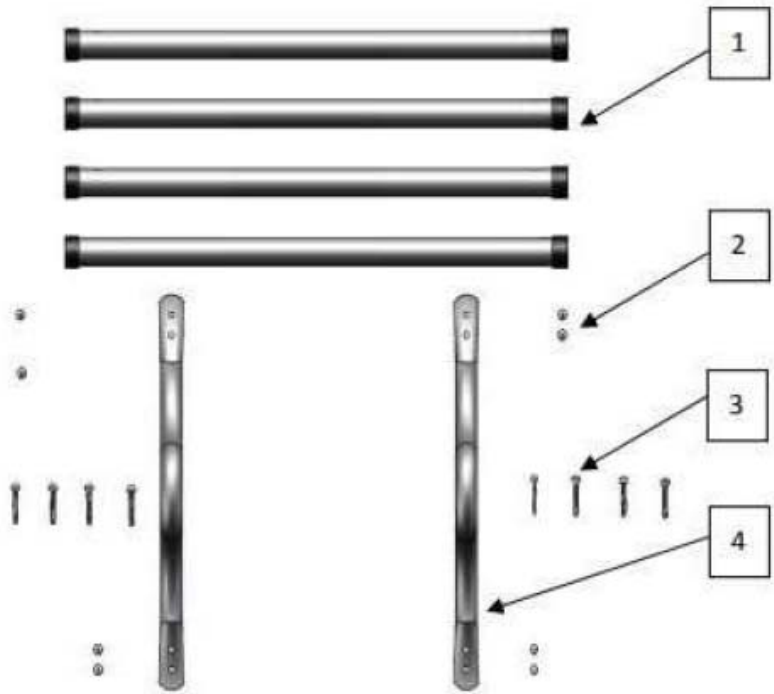
Coat and Towel Rack With Shelf

Assembly Instructions



The coat and towel rack with shelf consists of the following components:

CONTENTS		
REF.	QTY.	DESCRIPTION
1	4	Long rod
2	8	Expansion screw & plastic anchors
3	8	Self-tapping screws
4	2	U-tube

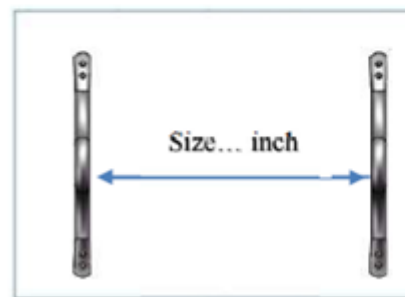


Please note: 1. Tools required: Tape measure, Chalk line, Drill, 1/4" Drill Bit, Extended Drive Phillips, Hammer.
2. Expansion screws are for drywall installation. If attaching to other material, fasteners to be furnished by other.

Step 1: Fix one u-tube to a suitable position on the wall using expansion screws and plastic anchors.

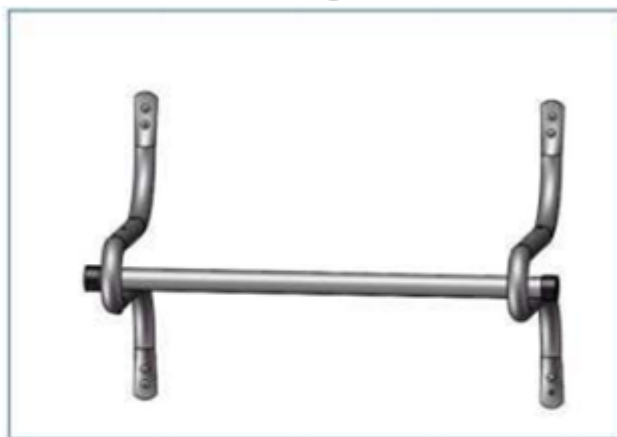


Step 2: Measure the distance between the two holes of the long rod to determine the distance between the left and right u-tube. Find the position on the wall for the second u-tube. Fix the u-tube with expansion screws. The mounting distance depends on towel rack size. See chart below.



Item#	Rack Size	Mounting Distance
695825	24"	21"
695826	36"	33"
695827	48"	45"
695828	60"	57"

Step 3: Fix the long rod with self-tapping screws to the two u-tubes within the u-shape as shown below.



Step 4: Fix the other three long rods with self-tapping screws to the top of the two u-tubes.

