



Rugged, Multi-Purpose Balances for a Wide Range of General Weighing Applications

OHAUS raises the bar in price-performance ratio with the newly-designed Navigator series which is perfect for general weighing applications in laboratory, industrial and education settings. Ruggedly constructed and multifunctional, the Navigator is a powerful balance that can handle a diverse range of weighing applications with features such as fast stabilization time, overload protection at four times its rated capacity, and easy operation.

Standard Features:

- **Designed for Accuracy and Repeatability in Essential Weighing Applications**
Designed for a range of essential weighing applications, the Navigator offers accuracy and repeatability at a competitive pricepoint, making it a valuable tool in laboratory, industrial and education settings.
- **Improved Productivity with Fast Stabilization Time**
The Navigator series is designed to accurately stabilize in less than one second to provide fast and accurate weighing results, improving operator efficiency, productivity and throughput.
- **Mechanical Overload Protection Safeguards the Balance and Increases Durability**
An overload protection system that can withstand loads up to four times the rated capacity safeguards the balance. An integrated shipping lock protects the weighing cell during transportation/storage.
- **Touchless Sensor for Increased Convenience and Efficiency**
The Navigator's touchless sensor frees up your hands for handling samples. Users can zero, print, tare or change functions without touching the balance, keeping sample residue off the keypad.

NAVIGATOR® Portable Balances

| Model | NV222 | NV422 | NV221 | NV621 | NV1201 | NV2201 | NVT2201 | NVT4201 | NVT2200 | NVT6200 | NVT12000 | NVT22000 |
|---------------------------------|---|------------|------------------------------|------------|-------------|------------|--|------------|------------|------------|-------------|--------------|
| Capacity (g) | 220 | 420 | 220 | 620 | 1200 | 2200 | 2200 | 4200 | 2200 | 6200 | 12000 | 22000 |
| Readability (g) | 0.01 | | 0.1 | | | | | 1 | | | | |
| Span Calibration Mass* | 200 | | | 300 | 500 | 1000 | | 2000 | 1000 | 5000 | | 10000 |
| Linearity Calibration Mass | 100, 200 g | 200, 400 g | 100, 200 g | 300, 600 g | 500 g, 1 kg | 1 kg, 2 kg | 1 kg, 2 kg | 2 kg, 4 kg | 1 kg, 2 kg | 3 kg, 6 kg | 5 kg, 10 kg | 10 kg, 20 kg |
| Stabilization Time(s) | 1 | 1.5 | 1 | | | | | 1.5 | 1 | | | |
| Construction | ABS housing and stainless steel pan | | | | | | | | | | | |
| Calibration | User-selectable external span or linearity calibration / Digital with external weight | | | | | | | | | | | |
| Tare Range | Full capacity by subtraction | | | | | | | | | | | |
| Weighing Units | g, kg, N, oz, ozt, dwt, lb, lb:oz, ct, grain | | | | | | | | | | | |
| Application Modes | Weighing, Parts Counting, Percent Weighing, Checkweighing | | | | | | | | | | | |
| Power Requirement | AC adapter (included) or 4 C batteries (not included) | | | | | | | | | | | |
| Typical Battery Life | 270 hours | | | | | | | | | | | |
| Temperature Range | 10 °C (50 °F) to 40 °C (104 °F) at 10% to 85% relative humidity, non-condensing | | | | | | | | | | | |
| Storage Conditions | -20 °C (-4 °F) to 55 °C (131 °F) at 10% to 90% relative humidity, non-condensing | | | | | | | | | | | |
| Communication | RS232, USB, or Ethernet (available as accessories) | | | | | | | | | | | |
| Display Type | Liquid Crystal Display (LCD) with backlight | | | | | | | | | | | |
| Display Size | 0.78 in. / 20 mm digits | | | | | | | | | | | |
| Pan Size (W × D) | Ø 5.7 in. / 145 mm | | 7.5 × 5.7 in. / 190 × 144 mm | | | | 9.1 × 6.9 in. / 230 × 174 mm | | | | | |
| Balance Dimensions (W × D × H) | 8 × 9.1 × 2.8 in. / 204 × 230 × 70 mm | | | | | | 9.5 × 9.8 × 2.9 in. / 240 × 250 × 74 mm | | | | | |
| Shipping Dimensions (W × D × H) | 11.8 × 9.8 × 5.3 in. / 300 × 250 × 134 mm | | | | | | 15.2 × 13.2 × 6.7 in. / 385 × 335 × 170 mm | | | | | |
| Net Weight | 2.2 lb / 1.0 kg | | | | | | 3.3 lb / 1.5 kg | | | | | |
| Shipping Weight | 3.3 lb / 1.5 kg | | | | | | 5.1 lb / 2.3 kg | | | | | |

*not included

Other Standard Features and Equipment

ABS housing, stainless steel pan, transportation lock, menu and calibration lockswitch, slip-resistant and adjustable feet, leveling bubble, mechanical and software overload/underload protection, stability indicator, low battery indicator, auto shut-off, user-selectable print options, user-selectable communication settings

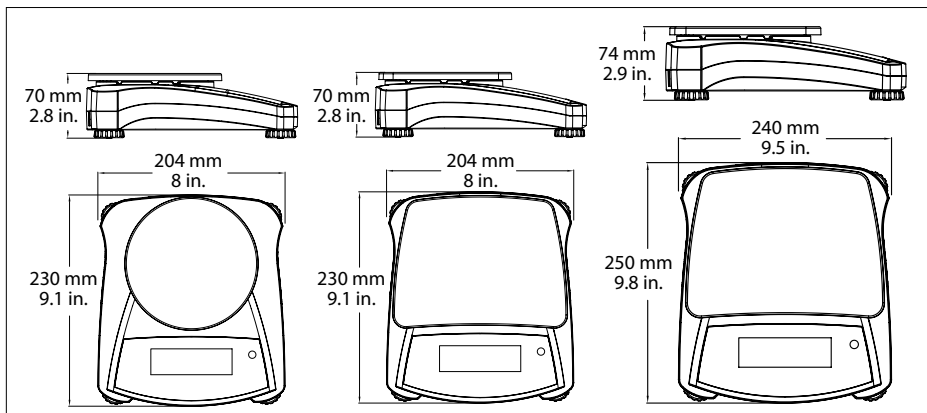
Compliance

- **Product Safety:** IEC/EN 61010-1
- **Electromagnetic Compatibility:** IEC/EN 61326-1 Class B, Basic environments; FCC Part 15 Class B; Canada ICES-003 Class B
- **Compliance Marks:** CE; RCM

Accessories

| | | | |
|-------------------------------|----------|-------------------------|----------|
| USB Interface..... | 83032108 | Carrying Case | 30467963 |
| RS232 Interface | 83032107 | Adapter with plugs..... | 30467987 |
| Ethernet Interface..... | 83032109 | Printer, SF40A, AM..... | 30064203 |
| Rechargeable Battery Kit..... | 83032106 | | |

Dimensions



80775652 20181024 © Copyright OHAUS Corporation

