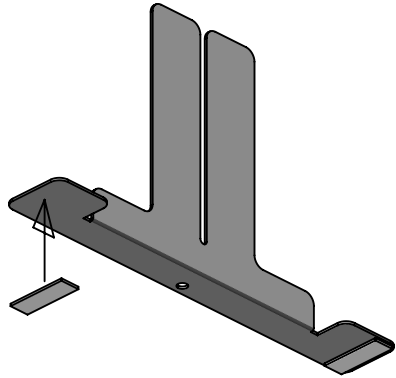


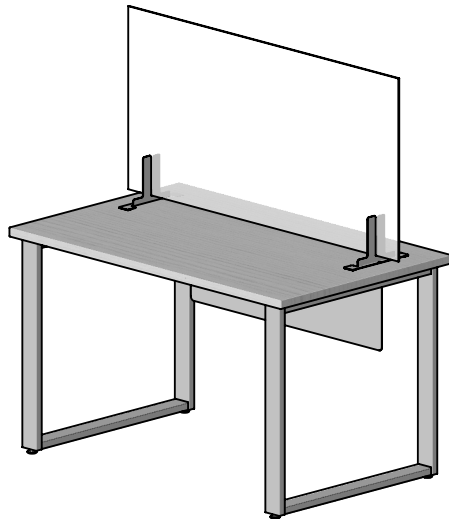
## Desk Shield Set-Up



### Step 1:

Peel off one of the backers on each adhesive pad. Attach (2) to each upright, one on each end, as shown.

The shield can be cleaned with a mild cleaner and a soft cloth.

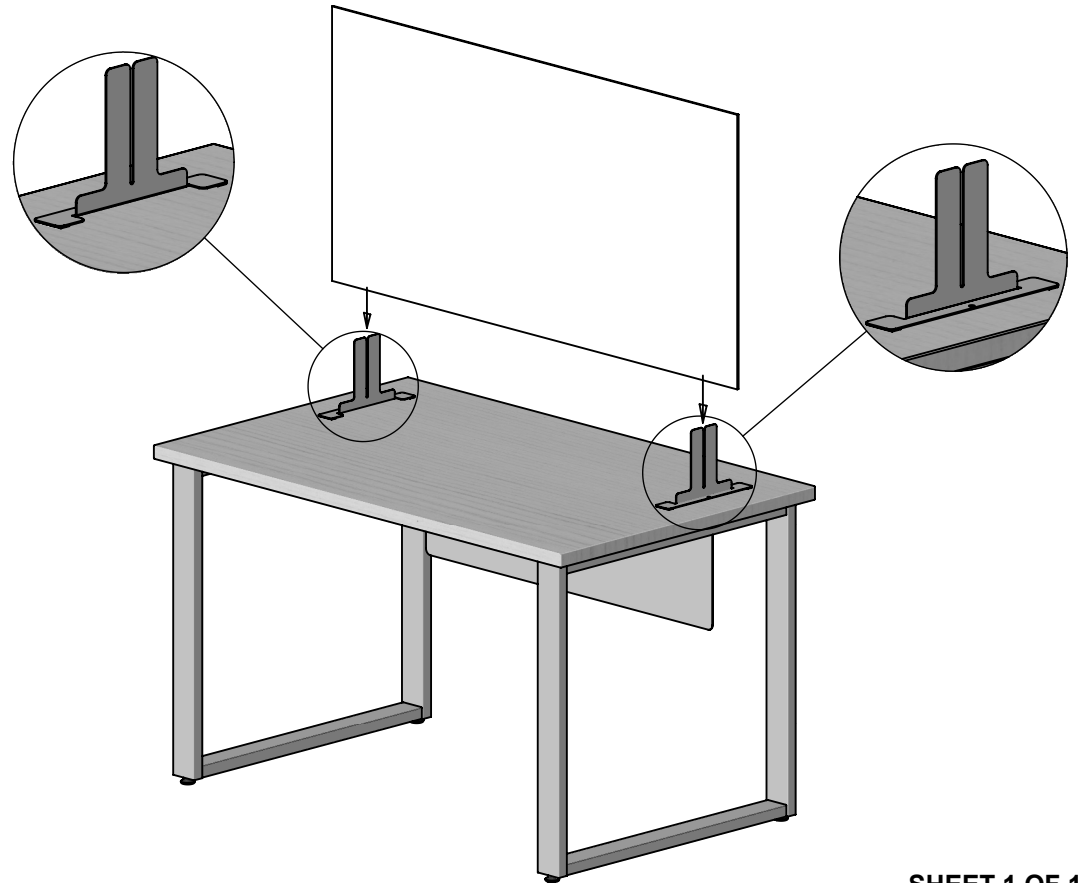


### Step 2:

You can either stick the uprights to the desk by peeling off the other backer on the pads. Or use them as simple pads.

**NOTE 1 - THE PLASTIC SHIELD IS SOFT (TO REDUCE THE POSSIBILITY OF SHATTERING). PLACE THE UPRIGHTS IN THEIR FINAL POSITIONS BEFORE INSERTING THE PLASTIC - MOVING THE PLASTIC AROUND AFTER INSERTION WILL SCRATCH IT.**

Remove the protective backer on the shield, and carefully insert the shield vertically down into the slots on the uprights.



SHEET 1 OF 1