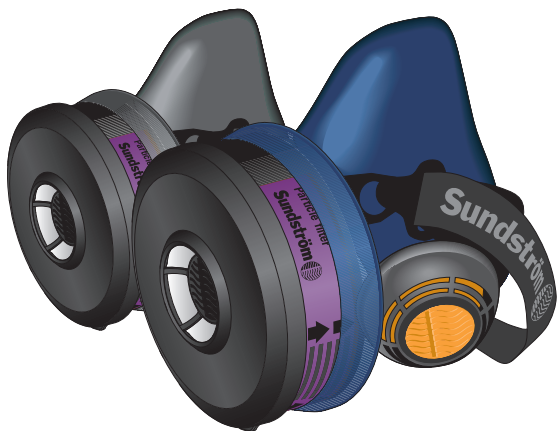


Sundström



**User's Manual • Manuel de l'utilisateur • Manual del Usuario
Operation, Maintenance and Training Manual**

Sundström Half-Mask Air-Purifying Respirator Demi-masque Mascarilla

Sundstrom Safety Inc.

143 Maple St., Warwick, RI 02888

Office: 1-401-434-7300 Toll Free: 1-877-SUNDSTROM Fax: 1-401-434-8300

info@srsafety.com www.srsafety.com

| | | |
|-----------|---|-----------|
| EN | Please read and save these instructions | 3 |
| FR | Prière de lire et de conserver | 17 |
| ES | Lea y conserve estas instrucciones por favor | 32 |

TABLE OF CONTENTS

- I Introduction
- II Warnings and Cautions
- III Respirator Use Limitations
- IV Configuration and selection guide
- V User Training and Instructions
 - 1. Why Use Respiratory Protection
 - 2. Changing the Protective Elements
 - 3. Inspection Prior to Use
 - 4. Donning/Use/Doffing Instructions
- VI Maintenance, Cleaning and Storage
- VII Warranty
- VIII NIOSH Labels

I. INTRODUCTION

The Sundström Safety SR series Half-mask Air-purifying Respirator (APR) system includes 2 models of half-mask respirators. Both models provide the user with the same level of respiratory protection and operate in the same manner. All user instructions are included in this manual, and unless otherwise indicated, are identical for all models. The entire SR series half-mask respirator family has been tested and approved by NIOSH to provide respiratory protection as required in 42 CFR part 84.

This manual is divided into eight sections of equal importance. It provides a respirator user with the basic information to properly inspect, wear, maintain and care for the Sundström respirator.

This manual contains only a portion of a complete respirator program. A well-designed respirator program also includes fit testing, proper documentation and active management by the local safety professional. All regulations and recommendations found in OSHA documents, especially 29 CFR 1910.134; EPA Standards; American National Standards Institutes (ANSI) Standard Z88.2; and all state, provincial and local regulations must be included in a complete program.

WARNING

You must identify all potential respiratory hazards, and the concentrations of the contaminants, before a competent person can determine that the Sundström half-respirator, equipped with appropriate cartridges or filters, provides the proper respiratory protection.

II. WARNINGS AND CAUTIONS

This product should not be used without a thorough understanding of all the components and their purpose. Read this entire booklet carefully and refer to it wherever a question arises. You must also satisfactorily complete all federal and local training requirements before entering a hazardous atmosphere.

Special attention must be paid to all the Warnings, Cautions and Notes used in this manual. Notes, Cautions and Warnings are contained in special boxes designed to call attention to this critical information. These special items have the following significance:

NOTE

Procedures and techniques that are considered important enough to emphasize.

CAUTION

Procedures and techniques that may result in damage to the equipment if not carefully followed.

WARNING

Procedures and techniques that may result in personal injury or death if not carefully followed.

III. RESPIRATOR USE LIMITATIONS

WARNING

Failure to read, understand and carefully follow these instructions prior to using this product may result in personal injury or death.

Half-mask Air-Purifying Respirators (APR) are designed, tested and government approved to provide respiratory protection to a properly trained person in certain hazardous atmospheres. The wearer must not enter a hazardous atmosphere that meets or exceeds the following limitations:

Maximum Use Concentrations (MUC)

- a. 10 times the exposure limit (TWA) for the contaminant present.
- b. Immediately dangerous to life or health (IDLH) concentrations for the contaminant.
- c. The limitations outlined in the applicable NIOSH approval:
 - Not for use in atmospheres containing less than 19.5 percent oxygen.
 - Not for use in atmospheres immediately dangerous to life or health.
 - Do not exceed maximum use concentrations established by regulatory standards.

- Follow established cartridge and canister change schedules or observe ESLI to ensure that cartridges and canisters are replaced before breakthrough occurs.
 - Failure to properly use and maintain this product could result in injury or death.
 - The Occupational Safety and Health Administration regulations require gas-proof goggles to be worn with this respirator when used against formaldehyde.
 - Follow the manufacturer's User's Instructions for changing cartridges and/or filters.
 - All approved respirators shall be selected, fitted, used, and maintained in accordance with MSHA, OSHA and other applicable regulations.
 - Never substitute, modify, add, or omit parts. Use only exact replacement parts in the configuration as specified by the manufacturer.
 - Refer to User's Instructions, and/or maintenance manuals for information on use and maintenance of these respirators.
 - NIOSH does not evaluate respirators for use as surgical masks.
- d. Any applicable limitations contained in the standards established by a regulatory agency (such as Federal, state and local agencies) with jurisdiction over the wearer.

WARNING

This respirator cannot remove all the contaminants from a hazardous atmosphere. Pay close attention to all Maximum Use Concentrations (MUC), Limitations and other restrictions.

In addition to these Maximum Use Concentrations (MUC), Limitations, and the warnings and cautions placed in the text, the following general safety points must be read and understood by everyone intending to use the Sundström respirator.

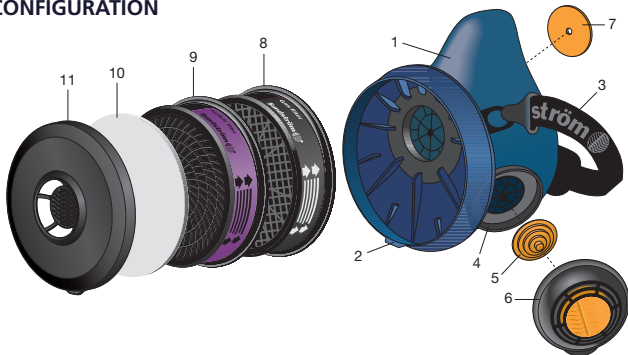
1. This respirator is designed to be used only by TRAINED QUALIFIED PERSONNEL.
2. Respirator selection shall be based upon full knowledge, and professional evaluations of the contaminants and their maximum content in the subject atmosphere.
3. Air-purifying Respirators shall not be used for structural fire fighting.
4. This respirator MUST NOT BE USED for protection in atmospheres that contain air contaminants that may penetrate, irritate or injure the skin or eyes, unless suitable additional equipment is used.
5. This respirator MUST NOT BE USED for protection against substances that lack adequate warning properties.
6. This respirator is not approved for protection from abrasive blasting, including sandblasting operations.
7. The Sundström respirator must be equipped with the appropriate NIOSH approved air-purifying filters, chemical cartridges, or filter/cartridge combinations, that are properly installed on the respirator.
8. This respirator must be properly fitted to the individual who will wear it. Do not use the Sundström respirator if you have excessive facial hair that will contact the sealing surface. Do not use this respirator if scars or other physical characteristics may interfere with a proper fit of the respirator.
9. Always read cartridge and filter approval labels prior to use. Air-purifying elements designed only for protection against airborne particulates MUST NOT BE USED for protection against vapors or gases. Air-purifying elements designed only for protection against vapors or gases MUST NOT BE USED for protection against airborne particulates.

10. The useful service life of the air-purifying elements will vary with the concentration and nature of the contaminant(s) and the activity of the respirator wearer. Replace the air-purifying elements when you detect any indication of damage or loss of effectiveness, or when instructed by competent authority.
11. When used for protection against Isocyanates use appropriate eye and face protection in order to avoid eye and skin irritation.
12. If you experience any one of the following danger signals leave the hazardous area immediately, return to fresh air, and seek any necessary assistance.
 - a. breathing difficulty
 - b. dizziness or nausea
 - c. if you smell or taste the contaminants
 - d. any other noticeable physical effect.

If a competent authority does not specify the appropriate protection, nor should you feel uncertain about the proper application, selection, or maintenance of this equipment, consult your supervisor, safety professional, or local occupational health organization. Do not enter a suspected hazardous area. You can also contact Sundstrom Safety Inc, toll-free at 1-877-SUNDSTROM.

IV. CONFIGURATION AND SELECTION GUIDE

CONFIGURATION



1. Respirator Body, Silicone SR 100 (3 sizes: Small/Medium, Medium/Large or Large/X-Large)
Respirator Body TPE SR 90-3 (2 sizes: Small/Medium or Medium/Large)
2. Filter Attachment
3. Head Harness
4. Valve Seat
5. Exhalation Valve Flap
6. Protective Cap
7. Inhalation Valve Flap
8. Chemical Cartridge
9. P100 Particle Filter
10. Pre-filter
11. Pre-filter holder

HALF-MASK RESPIRATORS

Order Number

| | |
|--------------------------------|----------|
| Silicone SR 100, Large/X-Large | H01-2821 |
| Silicone SR 100, Medium/Large | H01-2021 |
| Silicone SR 100, Small/Medium | H01-2121 |
| TPE SR 90-3 Medium/Large | H01-2621 |
| TPE SR 90-3 Small/Medium | H01-2721 |

FILTER/CARTRIDGES/PRE-FILTER

| | |
|----------------------------------|----------|
| OV Cartridge, SR 218-6 | H02-2121 |
| CL/HC/SD/FM Cartridge, SR 231 | H02-3621 |
| OV/SD/CL/HC/HF Cartridge, SR 232 | H02-3721 |
| AM/MA Cartridge, SR 229 | H02-4321 |
| P100 filter SR 510 | H02-1321 |
| Pre-filter, SR 221 | H02-0121 |

SPARE PARTS

| | |
|---|----------|
| Cradle Head Harness | R01-2002 |
| Head Strap Pad | R01-2001 |
| Valve Flap Kit | R01-2004 |
| (2 exhalation, 1 Inhalation, 2 protective caps) | |

ACCESSORIES

| | |
|---|----------|
| Cleaning Wipes | H09-0401 |
| Protective Tyvek Hood | H09-0321 |
| Chemical Splash Hood | H09-1021 |
| Pre-filter holder | R01-0605 |
| Pre-filter holder 5153-2 | R01-0604 |
| Test disc SR 322 (for pre-filter holder 5153-2) | R01-0303 |
| Storage Box | H09-3021 |
| Fit Check Adapter | T01-1202 |
| Permanent ID-tag | R09-0101 |
| Spark Arrester, SR 336 | T01-2001 |
| SmallTalk Voice Amplifier, ST2-SR | T01-1219 |

PROTECTIVE ELEMENTS

The protective elements for the Sundström half-mask respirators are (4) four NIOSH approved chemical cartridges and a P100 particle filter. A pre-filter designed to reduce nuisance dusts is also an optional accessory for use with all protective elements.

Chemical Cartridges

A chemical cartridge absorbs and adsorbs specific vapors and gases from a contaminated atmosphere. This process continues until the sorbent becomes saturated and allows the contaminant to 'break-through' the cartridge and to be detected by the user. Each chemical cartridge is designed to provide protection only from specific contaminants. Replace chemical cartridges immediately when you detect any contaminants inside the respirator.

Particulate filters

These filters provide protection against particulates. Sundström particulate filters trap and hold particles in the filtering media. As the amount of the captured contaminant in the media increases, breathing resistance also increases. Replace the filter when the change in breathing resistance becomes noticeable. The P100 filter is 99.97% efficient against all particulate aerosols.

Combination Protective Elements

An appropriate chemical cartridge and a P100 filter can be combined to provide protection from a combination of certain vapors, gases and particulates. **Replace the cartridge when you smell, taste or feel the contaminant. Replace the filter when you begin to encounter increased breathing resistance.**

Pre-filter

The Sundström pre-filter is not an independent protective element. It is designed to prevent nuisance particulates from reaching the protective elements. This increases the life span of the primary protective element.

WARNING

The pre-filter can never be used as primary protection or as a substitute for the P100 filter.

V. USER TRAINING AND INSTRUCTIONS

WARNING

Do not complete the user training without reading and understanding all instructions in this booklet.

This training section is designed for the user and their safety manager. It contains the minimum information required to safely instruct users on how to don, doff, test, and change protective elements for the Sundström respirator. This training procedure is included as a supplement to the instructions contained in the remainder of this manual.

Local conditions may require additional instructions. Sundström encourages the safety professional responsible for the respiratory program to add all local information possible to increase worker safety and to supplement this basic text. You can obtain an Instructors Guide from your nearest Sundström Distributor.

1. WHY USE RESPIRATORY PROTECTION?

A. Why is breathing protection necessary?

Breathing protection is necessary whenever you are in an atmosphere that could injure your health. Depending on the substance present in the contaminated atmosphere you could be at risk of:

LUNG DAMAGE
Bronchitis, edema, pneumonia

DAMAGE TO VITAL ORGANS
Kidneys, liver, brain

CANCER
PERMANENT DISABILITY
asthma, silicosis, asbestosis or emphysema

or at worst
DEATH

WARNING

Do not enter a hazardous or unknown atmosphere without asking your safety professional what type of protection is required. Use all the protective equipment and wear it properly. At the first sign of trouble exit the hazardous area, seek help and report the problem to the proper authority.

B. What is a half-mask respirator?

The Sundström half-mask respirator fits over your nose, mouth and under your chin; is held against the face by an elastic harness; uses protective elements to remove contaminants before they enter the respirator; and has valves that open to permit exhaled air to exit the respirator then close to prevent contaminants from entering.

C. What type of protection will a half-mask respirator provide?

A properly fitted half-mask respirator can protect you against specific levels of some:

Particulates
Gases and Vapors
Viruses and Bacteria
Mold and Fiber

BUT half-mask respirators **SHOULD NOT** be used:

In oxygen deficient areas
In atmospheres that can cause eye damage
In atmospheres Immediately Dangerous to Life and Health (IDLH)
When the contaminants are unknown.

WARNING

Know your Maximum Use Limitations and follow the instructions of your safety professional.

D. How do I know which filter or cartridge to use?

Your safety professional is responsible for providing you information concerning what filter, cartridge or combination will provide adequate protection for the hazards at your worksite. You can identify various 10 protective elements by the color of the NIOSH label.

| | |
|----------------|---|
| MAGENTA | Particles, Dust, Mists and Fumes |
| BLACK | Organic Vapors |
| YELLOW | Organic Vapors, Sulfur Dioxide, Chlorine, Hydrogen Chloride and Hydrogen Fluoride |
| WHITE | Chlorine, Hydrogen Chloride, Sulfur Dioxide and Formaldehyde |
| GREEN | Ammonia and Methylamine |

The NIOSH/DHHS approval label for each product lists limitations and requirements. All current NIOSH/DHHS labels can be found in the respirator box printed on a sheet titled Section "VIII NIOSH/DHHS LABELS" of this manual. The Sundström P100 filter can be combined with each chemical cartridge to give the user combined vapor, gas and particulate protection.

E. What does the pre-filter do?

The Sundström pre-filter can only be used with a cartridge or P100 filter to reduce nuisance dusts. This extends the life of the protective element by capturing these large particulates, preventing premature loading of the primary protective elements. This pre-filter is not a protective element.

WARNING

The Sundström pre-filter is a thin filter that does not have any printing on either side. Do not use this filter as a protective element.

F. What if I can't smell anything, or I don't mind the smell?

The physiological damage from some contaminants can be long term and many take months to appear. The danger from these hazards may be masked by an unfamiliar or even pleasant odor. A certain smell or odor may not bother you, or cause you discomfort, but the contaminant can still be hazardous.

G. When do I change the filter or cartridge?

Chemical Cartridge – Loss of protection is frequently detected when the user experiences BREAKTHROUGH.

If you experience any one of the following danger signals leave the hazardous area immediately, return to fresh air. Check your respirator, and replace the protective element if necessary: and seek any necessary assistance.

- Breathing difficulty, dizziness or nausea, smell
- Dizziness or nausea
- You smell or taste the contaminants
- Any other noticeable physical effect

If you smell, feel or taste anything unusual leave the contaminated area, check your respirator, and replace the protective element if necessary. In some atmospheres breakthrough may be hard to detect or may occur too late to provide you a safe exit from the contaminated atmosphere. An air-purifying respirator is not appropriate for use. However under certain conditions, the chemical cartridges can be used but must be changed after a specific exposure time. This schedule is set by a competent authority and controlled by your safety professional.

WARNING

An exhausted chemical cartridge will allow hazardous fumes or vapors to pass through to the user who may not notice any change in breathing resistance. Follow local procedures and all warnings contained in the users manual.

Filters – Filters clean the air of particles by capturing the solid particles and allowing breathable air to enter the respirator. As the filter loads up with these particulates inhalation becomes uncomfortable. When you detect increased inhalation resistance, leave the contaminated area and change the pre-filter, or if necessary, the protective filter.

Pre-filter – This inexpensive nuisance pre-filter is used with a cartridge or P100 filter. When breathing resistance increases change the pre-filter first. If the resistance does not drop change the protective element.

2. CHANGING THE PROTECTIVE ELEMENTS.

A. Installation

Select the appropriate protection. Remain in a safe atmosphere and select the proper cartridge and appropriate filter.

WARNING

Always insert the cartridge or filter into the filter attachment with the arrows on the label pointing toward the face.

If the appropriate protection requires a combination filter and cartridge, remain in a safe atmosphere and select the proper cartridge and appropriate filter.

CARTRIDGE, P100 FILTER COMBINATION

- 1) Place the P100 filter on top of the cartridge. Grasp both protective elements.

NOTE

The P100 filter will snap onto the cartridge, but the cartridge will not snap onto the P100 filter.

- 2) Squeeze hard until you hear the P100 snap onto the cartridge a snap.
- 3) Attempt to pull the filter and cartridge apart to check that they are properly connected.



NOTE

**The filter will always be snapped on the cartridge.
The cartridge will always be inserted into the respirator.**

- 4) Place a pre-filter into the pre-filter holder.
- 5) Snap the pre-filter holder on the filter or cartridge.
- 6) Check to see that it is firmly attached to the filter or cartridge.

INSTALLING THE PROTECTIVE ELEMENT INTO THE RESPIRATOR

- 1) Insert one part of the large lip of the protective element into the filter attachment flange. The arrows on the label point to – “this side toward face”.
- 2) Using your finger and pull the lip of the attachment flange around the element until the entire cartridge or P100 filter lip is seated inside the filter attachment.
- 3) Squeeze the top edge of the element and the bottom edge of the respirator filter attachment together until the filter attachment flange touches against the edge of the cartridge.
- 4) Check that the entire lip of the respirator filter holder is touching the protective elements. Tug on the protective element to verify that it is properly seated.

WARNING

To provide proper protection the appropriate protective elements must be properly seated in the respirator before entering a hazardous atmosphere.

B. Removal

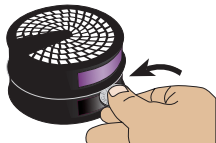
- 1) Turn the mask over.
- 2) On the bottom of the respirator filter attachment you will find a small tab resting on the side of the protective element.
- 3) Grasp the protective element with one hand and this tab with the finger and thumb of the other hand.
- 4) Peel back on the tab while pulling on the cartridge.

NOTE

**Dispose of a used cartridge or filter in the proper manner.
Follow all pertinent regulations and local instructions.**

Separate the stacked cartridge and P100 filter.

- 1) Place a coin in the space between the lower lip of the P100 filter and the small tab molded into the side of the cartridge.
- 2) Push firmly and twist the coin until the filter pops off.



3. INSPECTION PRIOR TO USE

A. Pre-donning checks

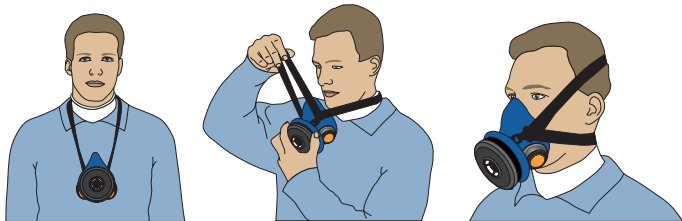
Before donning the respirator always perform the following checks.

- 1) Check that the respirator is the correct size.
- 2) Ensure that the respirator is clean and dry.
- 3) Check the respirator, valves and harness for wear, cuts, cracks, missing parts, and other defects.
- 4) Check that the appropriate chemical cartridge, filter or combination is installed properly.

4. DONNING/ USE/ DOFFING INSTRUCTIONS

A. Donning

- 1) Remove any hood, glasses or ear protection from head.
- 2) Holding the respirator in one hand, grab the locking buckle and pull on the head strap until the pad or cradle is tight against the respirator.
- 3) Take out any twists or tangles.
- 4) Holding the strap buckle, pull the strap over your head and put it around your neck.



- 5) Let the respirator hang on your chest.
- 6) Grab the pad or cradle with one hand and the filter or cartridge with the other.
- 7) Hold the respirator against your face.
- 8) Pull the pad or cradle over your head and place it on the crown of the head.
- 9) Perform a fit check.

B. Adjusting the Harness

- 1) Reach behind your neck and grab the free end of the harness strap.
- 2) Pull the free end away from the neck until buckle pops open.

NOTE

If needed, grasp the opposite side of the strap near the buckle to create more leverage.

- 3) Pull on the free end of the strap until the respirator seats comfortably on your face.
- 4) Use your thumb and forefinger to squeeze the buckle shut.
- 5) Wiggle the respirator until it seats comfortably.
- 6) Perform a fit check.

C. Fit Check

WARNING

A proper fit check must be completed successfully each time the respirator is worn. Failure to achieve a proper face-to-respirator seal before you enter a hazardous atmosphere may result in little or no respiratory protection.

Negative Fit Check

- 1) Install a protective element.
- 2) Snap the pre-filter holder onto the protective element.
- 3) Donning the respirator.
- 4) Place the palm of your hand lightly over the hole on the pre-filter holder to make it tight.

NOTE! Do not push so hard that the respirator's shape is affected.



- 5) Inhale gently, the respirator should pull inward on the face.
- 6) Hold your breath, the respirator should remain collapsed on the face.
- 7) Remove the palm of your hand from the pre-filter holder.
- 8) Breathe normally.

If any leakage is detected, check the inhalation and exhalation valves, adjust the straps of head harness or switch to alternative size of the respirator. Repeat the fit check until there is no leakage.

D. Doffing the respirator

- 1) Grasp the filter or cartridge with one hand.
- 2) Reach up and grasp the head pad or cradle and pull it forward over your head.
- 3) Pull down on the respirator until the harness strap extends and the respirator rests on your chest.
- 4) Reach behind your neck, grab the strap buckle, and pull it over your head.
- 5) Clean and store respirator as required.

VI MAINTENANCE, CLEANING AND STORAGE

CAUTION

A dirty respirator causes reduced protection. A written program for cleaning and sanitizing should be established and followed. This program should include all federal and local requirements.

A. Disassembly

- 1) Remove all protective elements.
- 2) Remove the covers from the exhalation valves and remove the membranes (two).
- 3) Gently pinch the exhalation flaps with your fingers and pull them off the center pin.
- 4) Detach the head harness by pushing the two connection points toward the filter attachment. (Optional – The harness can be washed, but takes extra time to dry.)
- 5) Reach inside the respirator and gently pull out the inhalation flap.

B. Cleaning

- 1) Clean with warm soapy water or other respirator cleaner and a soft brush, lint free cloth or sponge.
- 2) Do not exceed 104 °F (40 °C) during the cleaning operation. Never use solvents for cleaning. Strong cleaning and disinfecting agents can damage rubber and plastic.
- 3) Sanitize the respirator. Use an approved sanitizing or disinfecting agent or a solution of 2 tablespoons of household bleach mixed in one gallon of water (50 PPM chlorine); or 1 teaspoon of tincture of iodine (50 PPM Iodine) in one gallon of water for at least 2 minutes.
- 4) Rinse thoroughly.
- 5) Check the condition of the respirator and the parts. Replace any damaged or defective item.
- 6) Dry the respirator and parts.

C. Assembly

- 1) Check the edge of the inhalation valve. Gently stretch the flap until it slips over the stud.
- 2) Push each exhalation valve flap on the valve stud until it 'pops'.
- 3) Snap on exhalation valve covers.
- 4) Snap on the harness by putting each plastic swivel into the contoured slot and pulling it until it snaps in.
- 5) Perform a fit check. Place the respirator in a clean and dry storage box or other suitable storage area.

D. Storage

Shelf life for protective elements in unopened packages: Particulate filter 10 years, chemical cartridge 5 years. The expiration date is printed on the label: day, month, year, e.g. 26 Feb 2012.

Store the respirator, filters and cartridges in a clean, cool, dry place out of direct sunlight.

VII WARRANTY

Supplier warrants to each purchaser of a Product who is an end-user of such Product that the product is free from defects in material and workmanship, ordinary wear and tear excepted, for one year from date of purchase by such end-user. Further, Supplier warrants that the Product conforms to the NIOSH standards in effect on that date of sale. Supplier's sole obligation, and each end-users sole and exclusive remedy under this warranty, shall be limited to replacement of any Product covered by this warranty which provides in violation of such warranty during the period of effectiveness thereof. The warranty shall not apply to any Product which has been altered, misused, subjected to an accident, used contrary to Supplier's specifications and recommendations or used beyond it's useful life or to any Product whose packaging has been altered or opened prior to purchase by the end-user. Supplier makes no representations or warranties concerning the application or effect of any international, federal, state or local laws, ordinances, rules or regulations which may now or hereafter pertain to the use or operation of the Product. EXCEPT AS EXPRESSLY PROVIDED IN THIS PARAGRAPH, SUPPLIER MAKES NO REPRESENTATIONS OR WARRANTIES OF ANY KIND, NATURE OR DESCRIPTION, EXPRESSED OR IMPLIED, INCLUDING, WITHOUT LIMITATION, ANY WARRANTY OF MERCHANTABILITY, FITNESS OF ANY OF THE PRODUCTS FOR ANY PARTICULAR PURPOSE, OR NON-INFRINGEMENT, AND HEREBY DISCLAIMS THE SAME.

In order to assert your rights under this warranty, please return the Product to your vendor together with a written description of the alleged defect and proof of purchase. Your distributor will forward the Product to Supplier for analysis of the validity of your claim.

VIII NIOSH LABELS

See insert pages.

SOMMAIRE

- I Introduction
- II Avertissements et mises en garde
- III Restrictions à l'utilisation du respirateur
- IV Configuration et guide de sélection
- V Formation de l'utilisateur et instructions
 1. Pourquoi utiliser une protection respiratoire
 2. Remplacement des éléments protecteurs
 3. Inspection avant utilisation
 4. Instructions pour mettre/utiliser/enlever le masque
- VI Maintenance, nettoyage et rangement
- VII Garantie
- VIII Etiquettes NIOSH

I. INTRODUCTION

Le système respiratoire du demi-masque Sundström Safety comprend 2 modèles de respirateurs. Le système respiratoire du demi-masque Sundström Safety comprend 2 modèles de respirateurs. Tous deux procurent à l'utilisateur le même niveau de protection respiratoire et fonctionnent de la même façon. Toutes les consignes d'utilisation se trouvent dans le présent manuel et, sauf indication contraire, sont identiques pour tous les modèles. L'ensemble de la famille de respirateurs demi-masque de la série SR a été testé et homologué par le NIOSH pour assurer la protection respiratoire exigée dans le CFR 42, partie 84.

Le présent manuel est divisé en neuf chapitres d'égale importance. Il fournit à l'utilisateur du respirateur les informations de base lui permettant d'inspecter, de porter et d'entretenir convenablement un respirateur Sundström.

Ce manuel ne contient qu'une partie du programme complet du respirateur. Un programme de respirateur bien conçu comprend également le contrôle de l'étanchéité, la documentation appropriée et la gestion active assurée par le responsable local de la sécurité. Toutes les réglementations et recommandations trouvées dans les documents OSHA, notamment le CFR 29, 1910.134, les normes EPA, la norme Z88.2 de l'American National Standards Institute (ANSI) et toutes les réglementations nationales, provinciales et locales doivent être incluses dans le programme complet.

AVERTISSEMENT

Vous devez identifier tous les risques respiratoires potentiels et les concentrations d'agents polluants avant qu'une personne compétente puisse établir que le demi-masque Sundström équipé des cartouches ou filtres appropriés confère une protection respiratoire convenable.

II. AVERTISSEMENTS ET MISES EN GARDE

Le présent produit ne doit pas être utilisé sans une compréhension approfondie de tous ses composants et de leur utilité. Lire attentivement le présent fascicule et s'y référer en cas de doute. Vous devez également avoir satisfait à toutes les exigences fédérales et locales en matière de formation avant de pénétrer dans une atmosphère dangereuse.

Une attention particulière doit être accordée à tous les avertissements, mises en garde et remarques utilisés dans le présent manuel. Les remarques, mises en garde et avertissement figurent dans des encadrés spéciaux destinés à attirer l'attention sur l'information essentielle qu'ils contiennent. Ces rubriques spéciales ont la signification suivante:

ATTENTION

Procédures et techniques jugées suffisamment importantes pour être soulignées

MISE EN GARDE

Procédures et techniques qui peuvent donner lieu à une détérioration de l'équipement si elles ne sont pas suivies avec soin

AVERTISSEMENT

Procédures et techniques qui peuvent entraîner des blessures ou la mort si elles ne sont pas suivies avec soin

III. RESTRICTIONS A L'UTILISATION DU RESPIRATEUR

AVERTISSEMENT

Avertissement ! Le fait de ne pas lire, comprendre et suivre scrupuleusement ces consignes avant d'utiliser ce produit peut entraîner des dommages corporels, voire le décès de l'utilisateur.

Les respirateurs demi-masque à purification d'air (APR) sont conçus, testés et homologués par les pouvoirs publics pour conférer dans certaines atmosphères à risque une protection respiratoire à des personnes convenablement formées. Le porteur du masque ne doit pas pénétrer dans une atmosphère à risque dont la concentration en contaminants atteint ou dépasse les limites suivantes :

Concentrations maximales d'utilisation (MUC)

- 10 fois la limite d'exposition (TWA) pour l'agent contaminant présent.
- Concentrations d'un contaminant présentant un danger immédiat pour la vie ou la santé (IDLH).
- Limites présentées dans l'homologation NIOSH applicable :
 - Ne pas utiliser dans une atmosphère dont la teneur en oxygène est inférieure à 19,5 %.
 - Ne pas utiliser dans une atmosphère présentant un danger immédiat pour la vie ou la santé.
 - Ne pas dépasser les concentrations d'utilisation maximales établies par les normes obligatoires.

- Suivre le calendrier de remplacement de la cartouche et du boîtier filtrant ou observer l'ESLI afin de garantir le remplacement des cartouches et des boîtiers filtrants avant déchirure.
 - Une utilisation ou un entretien inapproprié de ce produit peut entraîner la mort ou des blessures.
 - Les réglementations de l'Occupational Safety and Health Administration imposent le port de lunettes étanches à l'épreuve du gaz avec ce respirateur en présence de formaldéhyde.
 - Suivre les consignes d'utilisation fournies par le fabricant pour le remplacement des cartouches et/ou filtres.
 - Tous les respirateurs homologués doivent être sélectionnés, installés, utilisés et entretenus conformément au MSHA, l'OSHA et aux autres réglementations applicables.
 - Ne jamais substituer, modifier, ajouter ou omettre des pièces. Utiliser uniquement les pièces de remplacement exactes dans la configuration, tel que spécifié par le fabricant.
 - Se reporter aux consignes d'utilisation et aux manuels de maintenance pour obtenir des informations sur l'utilisation et la maintenance de ces respirateurs.
 - Le NIOSH n'évalue pas les respirateurs pour une utilisation comme masque chirurgical.
- d. Limites applicables figurant dans les normes établies par un organe de réglementation (tel qu'instances fédérales, locales et d'un état) dont l'utilisateur relève.

AVERTISSEMENT

Ce respirateur ne peut éliminer tous les contaminants contenus dans une atmosphère à risque. Il convient donc d'être particulièrement attentif aux concentrations maximales d'utilisation (MUC), aux limitations et autres restrictions.

En plus des concentrations maximales d'utilisation (MUC), des restrictions et autres messages d'avertissement figurant dans le texte, il est important que toute personne prévoyant d'utiliser le respirateur Sundström lise et comprenne les points de sécurité suivants.

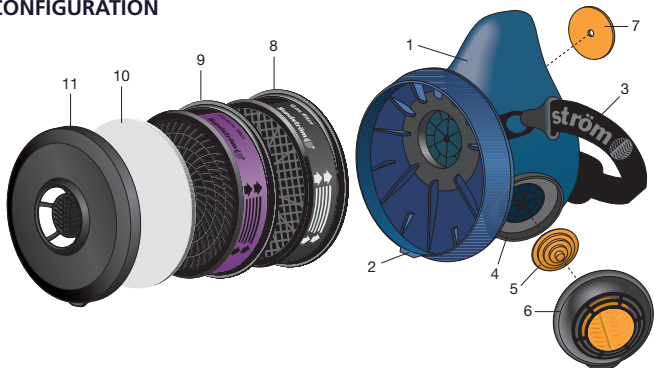
1. Ce respirateur est conçu pour être uniquement utilisé par du PERSONNEL QUALIFIÉ AYANT RECU UNE FORMATION.
2. Le choix du respirateur doit être basé sur une connaissance complète des contaminants ainsi que sur leur évaluation par des professionnels et leur teneur maximale dans l'atmosphère en question.
3. Les respirateurs à purification d'air ne doivent pas être utilisés dans la lutte incendie.
4. Ce respirateur NE DOIT PAS ETRE UTILISÉ pour la protection dans des atmosphères qui renferment des contaminants de l'air pouvant pénétrer dans la peau ou les yeux ou bien les irriter ou les blesser à moins qu'un équipement complémentaire approprié ne soit utilisé.
5. Ce respirateur NE DOIT PAS ETRE UTILISÉ pour la protection contre des substances qui n'ont pas des propriétés suffisantes leur permettant de signaler leur présence.
6. Ce respirateur n'est pas homologué comme protection contre la projection d'abrasif, y compris les opérations de sablage.
7. Le respirateur Sundström doit être équipé des filtres appropriés de purification d'air, des cartouches chimiques ou des combinaisons de filtre/cartouche agréés par le NIOSH et convenablement installés sur le respirateur.
8. Ce respirateur doit s'ajuster convenablement au visage de celui qui le porte. N'utilisez pas le respirateur Sundström si vous avez un système pileux excessif qui vient en contact avec la surface assurant l'étanchéité. N'utilisez pas ce respirateur si vous avez des cicatrices ou d'autres caractéristiques physiques pouvant affecter l'étanchéité du respirateur.

9. Lisez toujours les étiquettes d'homologation des cartouches et des filtres avant utilisation. Les éléments destinés à la purification de l'air et conçus uniquement pour la protection contre les particules en suspension dans l'air NE DOIVENT PAS ÊTRE UTILISÉS pour la protection contre les vapeurs ou les gaz. Les éléments destinés à la purification de l'air et conçus uniquement pour la protection contre les vapeurs et les gaz NE DOIVENT PAS ÊTRE UTILISÉS pour la protection contre les particules en suspension dans l'air.
10. La durée de vie utile des éléments destinés à la purification de l'air varie en fonction de la concentration et de la nature du(des) contaminant(s) et de l'activité de celui qui porte le respirateur. Remplacez l'élément de purification de l'air lorsque vous détectez tout indice de détérioration ou de perte d'efficacité ou lorsque l'organisme compétent en donne l'ordre.
11. Si le respirateur est utilisé pour la protection contre les isocyanates, utilisez une protection respiratoire et faciale appropriée afin d'éviter une irritation oculaire et cutanée.
12. Si vous constatez l'un des symptômes suivants, quittez immédiatement la zone dangereuse, retournez à l'air frais et demandez l'assistance nécessaire..
 - a. Difficulté respiratoire
 - b. Vertiges ou nausées
 - c. Perception de l'odeur ou du goût des contaminants
 - d. Tout autre effet physique perceptible

Si l'organisme compétent ne spécifie pas la protection appropriée ou si vous avez des doutes en ce qui concerne l'application, le choix ou la maintenance appropriée de cet équipement, consultez votre contremaître, l'inspection du travail ou l'organisation locale de l'hygiène du travail. Ne pénétrez pas dans une zone suspectée dangereuse. Vous pouvez également contacter la Sundstrom Safety Inc, au numéro gratuit 1-877-SUNDSTROM.

IV. CONFIGURATION ET GUIDE DE SÉLECTION

CONFIGURATION



1. Respirateur, silicone SR 100 (3 tailles : petit/moyen, moyen/grand ou grand/très grand)
Respirateur, TPE SR 90-3 (2 tailles : petit/moyen ou moyen/grand)
2. Monture de filtre
3. Jeu de sangles
4. Siège de la soupape
5. Clapet de la soupape d'expiration
6. Capuchon de protection
7. Clapet de la soupape d'inspiration
8. Cartouche chimique
9. Filtre à particules P100
10. Préfiltre
11. Porte-préfiltre

RESPIRATEURS DEMI-MASQUES

Silicone SR 100, grand/très grand
Silicone SR 100, moyen/grand
Silicone SR 100, petit/moyen
TPE SR 90-3 moyen/grand
TPE SR 90-3 petit/moyen

Numéro de commande

H01-2821
H01-2021
H01-2121
H01-2621
H01-2721

FILTRE/CARTOUCHES/PRE-FILTRE

Cartouche OV, SR 218-6
Cartouche CL/HC/SD/FM, SR 231
Cartouche OV/SD/CL/HC/HF, SR 232
Cartouche AM/MA, SR 229
Filtre P100, SR 510
Pré-filtre, SR 221

H02-2121
H02-3621
H02-3721
H02-4321
H02-1321
H02-0121

PIECES DE RECHANGE

| | |
|--|----------|
| Jeu de sangles dont une partagée en deux | R01-2002 |
| Patin de bandeau de tête | R01-2001 |
| Jeu de clapets | |
| (2 clapets d'expiration, 1 d'inspiration, 2 capuchons de protection) | R01-2004 |

ACCESSOIRES

| | |
|--|----------|
| Serviettes de nettoyage | H09-0401 |
| Cagoule de protection en Tyvek | H09-0321 |
| Cagoule de protection contre les éclaboussures de produits chimiques | H09-1021 |
| Porte-préfiltre | R01-0605 |
| Porte-préfiltre 5153-2 | R01-0604 |
| Rondelle d'essai SR 322 (pour porte-préfiltre 5153-2) | R01-0303 |
| Boîte de rangement | H09-3021 |
| Adaptateur, essai d'étanchéité quantitatif | T01-1202 |
| Étiquette d'identification | R09-0101 |
| Pare-étincelles, SR 336 | T01-2001 |
| Amplificateur vocal SmallTalk, ST2-SR | T01-1219 |

ELEMENTS PROTECTEURS

Les éléments protecteurs du respirateur demi-masque Sundström consistent en (4) quatre cartouches chimiques agréées par le NIOSH et un filtre à particules P100. Il existe également en option un préfiltre conçu pour réduire le taux de poussières gênantes et à utiliser avec tous les éléments de protection.

Cartouches chimiques

Une cartouche chimique absorbe et adsorbe les vapeurs et gaz spécifiques provenant d'une atmosphère contaminée. Ce processus se poursuit jusqu'à ce que l'agent de sorption soit saturé et laisse le contaminant « traverser » la cartouche qui se trouve ainsi détecté par l'utilisateur. Chaque cartouche chimique est conçue pour conférer une protection uniquement contre des contaminants spécifiques. Remplacez les cartouches chimiques dès que vous détectez un contaminant à l'intérieur du respirateur.

Filtres à particules

Ces filtres confèrent une protection contre les particules. Les filtres à particules Sundström piègent et retiennent les particules dans des milieux filtrants. La résistance respiratoire augmente proportionnellement à l'augmentation de contaminants capturés dans ce matériau. Remplacez le filtre lorsque la modification de la résistance respiratoire devient perceptible. Le filtre P100 est efficace à 99,97 % en ce qui concerne tous les aérosols en particules.

Combinaison d'éléments protecteurs

Il est possible de combiner une cartouche chimique et un filtre appropriés pour conférer une protection contre une combinaison de certaines vapeurs, gaz et particules. Remplacez la cartouche lorsque l'odeur ou le goût du contaminant sont perceptibles. Remplacez le filtre lorsque la résistance respiratoire augmente.

Préfiltre

Le préfiltre Sundström n'est pas un élément protecteur indépendant. Il est conçu pour empêcher les particules nuisibles d'atteindre les éléments protecteurs. Cela permet d'accroître la durée de vie de l'élément protecteur principal.

AVERTISSEMENT

Le préfiltre ne peut jamais être utilisé comme protection principale ni pour remplacer le filtre P100.

V. FORMATION DE L'UTILISATEUR ET INSTRUCTIONS

AVERTISSEMENT

Ne terminez pas la formation utilisateur sans avoir lu et compris toutes les instructions contenues dans ce manuel.

Ce chapitre de formation s'adresse à l'utilisateur et à son responsable de la sécurité. Il contient les informations de base indispensables pour instruire en toute sécurité les utilisateurs sur les procédures à suivre pour enfiler, retirer, tester et charger les éléments protecteurs du respirateur Sundström. Cette procédure de formation vient compléter les instructions fournies dans le reste du présent manuel.

Les conditions locales peuvent exiger des instructions supplémentaires. Sundström encourage la personne en charge de la sécurité pour le programme respiratoire à ajouter toutes les informations locales possibles en vue d'accroître la sécurité des employés et de compléter ce texte de base. Vous pouvez vous procurer un Guide des instructeurs auprès de votre distributeur Sundström le plus proche.

1. POURQUOI UTILISER UNE PROTECTION RESPIRATOIRE.

A. Pourquoi est-il nécessaire de porter une protection respiratoire ?

Une protection respiratoire est nécessaire chaque fois que vous vous trouvez dans une atmosphère susceptible de nuire à votre santé. Selon les substances présentes dans l'atmosphère contaminée, vous courez un risque de :

MALADIE PULMONAIRE
Bronchite, œdème, pneumonie

LÉSIONS DES ORGANES VITAUX
Reins, foie, cerveau

CANCER

INVALIDITÉ PERMANENTE
Asthme, silicose, asbestose ou emphysème

ou pire encore
LA MORT

AVERTISSEMENT

Ne pénétrez pas dans une atmosphère à risque ou inconnue sans demander à votre responsable de la sécurité le type de protection obligatoire. Utilisez tout l'équipement de protection et portez-le de manière appropriée. Dès les premiers signes de malaise/problème, quittez la zone à risque, demandez de l'aide et signalez le problème à l'autorité compétente.

B. Qu'est-ce qu'un respirateur demi-masque?

Le respirateur demi-masque Sundström recouvre le nez, la bouche et la partie inférieure du menton ; il est maintenu contre le visage par un jeu de sangles élastiques ; il utilise les éléments de protection pour éliminer les contaminants avant qu'ils n'entrent dans le respirateur ; il comporte des soupapes qui, ouvertes, permettent à l'air expiré de sortir du respirateur et qui, refermées, empêchent les contaminants d'y pénétrer.

C. Quel type de protection confère un respirateur demi-masque?

Un respirateur demi-masque correctement ajusté peut vous protéger contre des niveaux spécifiques de
Particules,
Gaz et vapeurs,
Virus et bactéries,
Moisissures et fibres.

MAIS, les respirateurs demi-masques **NE DOIVENT PAS** être utilisés:

Dans des zones déficientes en oxygène

Dans des atmosphères pouvant provoquer des lésions oculaires

Dans des atmosphères présentant un danger immédiat pour la vie ou la santé (IDLH)

Lorsque les contaminants sont inconnus

AVERTISSEMENT

Vous devez connaître les restrictions maximales d'utilisation et suivre les instructions de votre responsable de la sécurité.

D. Comment savoir quel filtre ou cartouche utiliser?

Votre responsable de la sécurité se chargera de vous fournir les informations concernant le type de filtre, cartouche ou combinaison qui vous apportera la protection adéquate pour les risques rencontrés sur votre lieu de travail. Vous pouvez identifier 10 éléments de protection d'après la couleur de l'étiquette NIOSH.

MAGENTA Particules, poussières, brumes et fumées

NOIR Vapeurs organiques

JAUNE Vapeurs organiques, dioxyde de soufre, chlore, chlorure d'hydrogène, fluorure d'hydrogène

BLANC Chlore, chlorure d'hydrogène, dioxyde de soufre, formaldéhyde

VERT Ammoniac et méthylamine

L'étiquette d'homologation NIOSH/DHHS de chaque produit répertorie les restrictions et les exigences. Toutes les étiquettes NIOSH/DHHS courantes figurent sur la boîte du respirateur et au chapitre « VII ÉTIQUETTES NIOSH/DHHS » du présent manuel.

Le filtre Sundström P100 peut être combiné à toutes les cartouches chimiques afin d'apporter à l'utilisateur une protection combinée contre les vapeurs, les gaz et les particules.

E. A quoi sert le pré-filtre?

Le préfiltre Sundström ne peut être utilisé qu'avec une cartouche ou un filtre P100 pour réduire les poussières nuisibles. Ceci prolonge la durée de vie de l'élément protecteur en capturant les grosses particules, prévenant un chargement prématuré des éléments protecteurs primaires. Ce préfiltre n'est pas un élément protecteur.

AVERTISSEMENT

Le préfiltre Sundström est un filtre fin sans inscription d'aucun côté. N'utilisez pas ce filtre comme élément protecteur.

F. Que se passe-t-il si je ne sens rien ou si l'odeur ne me dérange pas?

Les dommages physiologiques provoqués par certains contaminants peuvent être à long terme et mettre des mois avant d'apparaître. Le danger encouru peut être masqué par une odeur inhabituelle voire agréable. Une telle odeur peut ne pas vous déranger ou provoquer de gêne chez vous, mais le contaminant n'en reste pas moins dangereux.

G. Quand faut-il remplacer le filtre ou la cartouche?

Cartouche chimique - La perte de protection est fréquemment détectée lorsque l'utilisateur constate une DÉCHIRURE.

Si vous constatez l'un des symptômes suivants, quittez immédiatement la zone à risque et retournez à l'air frais. Vérifiez votre respirateur, remplacez l'élément protecteur si nécessaire et demandez l'assistance qui convient.

- Difficulté respiratoire, vertiges ou nausées, odeur
- Vertiges ou nausées
- Vous décelez un odeur ou un goût de contamination
- Tout autre effet physique perceptible.

Si vous sentez, percevez ou décelez un goût inhabituel, quittez la zone contaminée, vérifiez votre respirateur et remplacez l'élément protecteur si nécessaire. Dans certaines atmosphères, la déchirure peut être difficile à détecter ou peut survenir trop tard pour vous permettre de quitter en toute sécurité l'atmosphère contaminée. L'usage d'un respirateur à purification d'air n'est pas approprié. Toutefois, dans certaines situations, les cartouches chimiques peuvent être utilisées mais doivent être remplacées après un temps d'exposition donné. Ce calendrier est défini par une autorité compétente et contrôlé par votre responsable de la sécurité.

AVERTISSEMENT

Une cartouche chimique vide laissera passer les fumées ou vapeurs dangereuses. L'utilisateur peut ne pas constater de changement de sa résistance respiratoire. Suivez les procédures locales et tous les avertissements contenus dans le manuel d'utilisation.

Filtres - Les filtres éliminent les particules contenues dans l'air en capturant les particules solides et en laissant l'air respirable entrer dans le respirateur. Au fur et à mesure que le filtre se charge de ces particules, l'inspiration devient de plus en plus inconfortable. Lorsque vous constatez une augmentation de votre résistance à l'inspiration, quittez la zone contaminée et remplacez le préfiltre ou le filtre protecteur si nécessaire.

Pré-filtre - Le préfiltre contre les particules nuisibles abordable est utilisé avec une cartouche ou un filtre P100. Lorsque votre résistance respiratoire augmente, commencez par remplacer le préfiltre. Si elle ne diminue pas, remplacez l'élément protecteur.

2. REMPLACEMENT DES ELEMENTS PROTECTEURS

A. Installation

Choisissez la protection appropriée. Restez dans une atmosphère sûre et choisissez la cartouche et le filtre appropriés.

AVERTISSEMENT

Insérez toujours la cartouche ou le filtre dans la monture du filtre avec les flèches figurant sur l'étiquette tournées vers le visage.

Si la protection appropriée exige une combinaison filtre et cartouche, restez dans une atmosphère sûre et choisissez la cartouche et le filtre appropriés.

COMBINAISON, CARTOUCHE ET FILTRE P100

- 1) Placez le filtre P100 au-dessus de la cartouche. Saisissez les deux éléments protecteurs.

ATTENTION

Le filtre P100 s'encliquette sur la cartouche, mais pas la cartouche sur le filtre P100.

- 2) Appuyez énergiquement jusqu'à ce que vous entendiez un clic.
- 3) Essayez de dissocier le filtre et la cartouche pour vérifier qu'ils sont convenablement assemblés.



ATTENTION

**Le filtre sera toujours encliqueté sur la cartouche.
La cartouche sera toujours être insérée dans le respirateur.**

- 4) Placez un préfiltre dans le porte-préfiltre.
- 5) Appuyez sur le porte-préfiltre jusqu'à ce qu'il s'encliquette sur le filtre ou la cartouche.
- 6) Assurez-vous qu'il est bien fixé sur le filtre ou la cartouche.

INSTALLATION DE L'ELEMENT PROTECTEUR DANS LE RESPIRATEUR

- 1) Insérez une partie du grand bord de l'élément protecteur dans la bride de la monture du filtre. Les flèches figurant sur l'étiquette sont tournées vers «cette face en direction du visage».
- 2) En utilisant votre doigt, tirez sur le bord de la bride de la monture autour de l'élément jusqu'à ce que la cartouche entière ou le bord du filtre P100 soit logé à l'intérieur de la monture du filtre
- 3) Comprimez simultanément le bord supérieur de l'élément et le bord inférieur de la monture du filtre du respirateur jusqu'à ce que la bride de la monture du filtre soit en contact avec le bord de la cartouche.

- 4) Vérifiez que la totalité du bord du porte-filtre est en contact avec les éléments protecteurs. Tirez sur l'élément protecteur pour vous assurer qu'il est correctement positionné.

AVERTISSEMENT

Pour assurer une protection convenable, les éléments protecteurs appropriés doivent être convenablement fixés dans le respirateur avant de pénétrer dans une atmosphère à risque.

B. Retrait

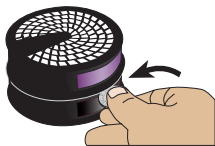
- 1) Retournez le masque.
- 2) Dans le fond de la monture du filtre du respirateur vous trouverez une petite languette située sur le côté de l'élément protecteur.
- 3) Saisissez d'une main l'élément protecteur et la languette entre le pouce et l'index de l'autre main.
- 4) Tirez en arrière sur la languette tout en tirant sur la cartouche.

ATTENTION

Mettez au rebut la cartouche ou le filtre usagé de la manière qui convient. Conformez-vous à toutes les réglementations pertinentes et instructions locales.

Séparation de la cartouche et du filtre P100 emboîtés.

- 1) Placez une pièce de monnaie entre le bord inférieur du filtre IP100 et la petite languette moulée dans la paroi de la cartouche.
- 2) Poussez fermement et faites levier avec la pièce jusqu'à ce que le filtre se désolidarise.



3. INSPECTION AVANT UTILISATION

A. Contrôles avant mise en place du respirateur

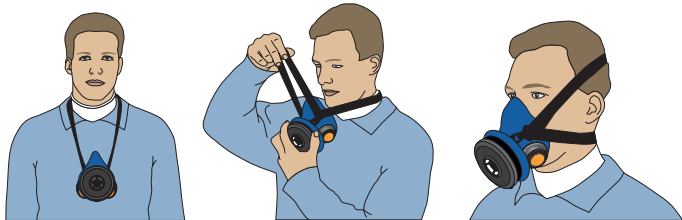
Avant de mettre le respirateur en place, procédez toujours aux contrôles suivants :

- 1) Vérifiez que le masque est à la bonne taille.
- 2) Assurez-vous que le respirateur est propre et sec.
- 3) Vérifiez que le respirateur, les soupapes ainsi que le jeu de sangles ne présentent aucune trace d'usure, entaille, fissure, pièce manquante ou autre défaut.
- 4) Assurez-vous que la cartouche chimique, le filtre ou la combinaison approprié(e) est correctement installé(e).

4. INSTRUCTIONS POUR METTRE/UTILISER/ENLEVER LE MASQUE

A. Mise en place

- 1) Retirez le casque, les lunettes ou les protections d'oreille que vous portez.
- 2) En tenant le respirateur dans une main, saisissez la boucle de blocage et tirez sur la sangle de tête jusqu'à ce que le patin ou la sangle partagée en deux soit collé contre le masque.
- 3) Veillez à ce que les sangles ne soient pas vrillées ou emmêlées.
- 4) En tenant la boucle de la sangle, faites passer la sangle au-dessus de votre tête et placez-la autour de votre cou.



- 5) Laissez le respirateur pendre sur votre poitrine.
- 6) Saisissez le patin ou la sangle partagée en deux d'une main et le filtre ou la cartouche de l'autre.
- 7) Maintenez le respirateur contre votre visage.
- 8) Faites passer le patin ou la sangle partagée en deux au-dessus de votre tête et placez-le sur la calotte crânienne.
- 9) Procédez à un contrôle d'étanchéité à l'inspiration et à l'expiration.

B. Réglage de la sangle

- 1) Saisissez l'extrémité libre de la sangle derrière votre cou.
- 2) Tirez dessus vers l'arrière jusqu'à ce que la boucle s'ouvre.

ATTENTION

Si nécessaire, saisissez le côté opposé de la sangle à côté de la boucle pour créer un effet de levier supplémentaire.

- 3) Tirez sur l'extrémité libre de la sangle afin de positionner confortablement le respirateur sur votre visage.
- 4) À l'aide du pouce et de l'index, refermez la boucle.
- 5) Faites osciller le respirateur jusqu'à ce qu'il se mette confortablement en place.
- 6) Procédez à un contrôle d'étanchéité à l'inspiration et à l'expiration.

C. Contrôle d'étanchéité

AVERTISSEMENT

Procédez à un contrôle d'étanchéité chaque fois que le respirateur doit être porté. Si vous n'assurez pas une étanchéité convenable entre le visage et le respirateur avant de pénétrer dans une atmosphère à risque, vous vous exposez à une protection respiratoire insuffisante ou totalement absente.

Contrôle de l'étanchéité à l'inspiration

- 1) Installer de l'élément protecteur.
- 2) Appuyez sur le porte-préfiltre jusqu'à ce qu'il s'encliquette sur la cartouche ou le filtre.
- 3) Mise en place du respirateur.
- 4) Pressez légèrement la paume de la main sur le trou du porte-préfiltre afin de créer l'étanchéité.

REMARQUE! N'appuyez pas trop fort afin de ne pas déformer le respirateur.



- 5) Inspirez doucement, le respirateur doit s'affaisser contre le visage.
- 6) Retenez votre respiration pendant quelques secondes, l'air ne doit pas pouvoir entrer dans le respirateur.
- 7) Retirez la paume de la main du porte-préfiltre.
- 8) Respirez normalement.

Si une fuite est détectée, vérifiez les valves d'inhalation et d'exhalation, ajustez les sangles du harnais de tête ou utilisez une autre taille de respirateur. Vérifiez l'ajustement jusqu'à ce qu'il n'y ait plus de fuite.

D. Retrait du respirateur

- 1) Saisissez le filtre ou la cartouche d'une main.
- 2) Saisissez le patin du bandeau de tête ou la sangle partagée en deux et ramenez-le devant vous en le faisant passer au-dessus de votre tête.
- 3) Tirez le respirateur vers le bas jusqu'à ce que la sangle s'allonge et qu'il repose sur votre poitrine.
- 4) Saisissez la boucle de la sangle derrière votre cou et faites-la passer au-dessus votre tête.
- 5) Nettoyez et rangez le respirateur conformément aux instructions.

MISE EN GARDE

Un respirateur sale confère une protection réduite. Il conviendra d'établir un programme écrit pour le nettoyage et la désinfection et de s'y conformer. Ce programme devra inclure toutes les exigences fédérales et locales.

A. Démontage

- 1) Retirez tous les éléments protecteurs.
- 2) Retirez le couvercle des soupapes d'expiration et extrayez les 2 membranes.
- 3) Retirez le couvercle des soupapes d'expiration.
- 4) Pincez délicatement les clapets d'expiration avec les doigts et dégagez-les de la goupille de centrage.
- 5) Décliquetez le jeu de sangles en appuyant sur les deux points de raccordement en direction de la monture du filtre. (Facultatif : le jeu de sangles peut être lavé, mais son séchage demandera plus de temps.)
- 6) Sortez avec précaution le clapet d'inspiration situé à l'intérieur du respirateur.

B. Nettoyage

- 1) Nettoyez le respirateur avec de l'eau chaude savonneuse ou avec un autre produit de nettoyage pour respirateurs et avec une brosse douce, un chiffon ne peluchant pas ou une éponge.
- 2) Ne dépassez pas une température de 40 °C pendant l'opération de nettoyage. N'utilisez jamais de solvants pour le nettoyage. Certains détergents et désinfectants puissants peuvent endommager le caoutchouc et le plastique.
- 3) Désinfectez le respirateur. Utilisez un désinfectant homologué ou une solution d'eau de Javel à raison de 2 cuillères à soupe pour 3,79 litres d'eau (50 ppm de chlore) ou 1 cuillère à café de teinture d'iode (50 ppm d'iode) dans 3,79 litres d'eau durant 2 minutes au moins.
- 4) Rincez soigneusement.
- 5) Vérifiez l'état du respirateur et de ses pièces. Remplacez tout composant endommagé ou défectueux.
- 6) Séchez le respirateur et les pièces.

C. Montage

- 1) Vérifiez le bord de la soupape d'inspiration. Étirez doucement le clapet jusqu'à ce qu'il s'enfile sur la tige.
- 2) Poussez chaque clapet de soupape d'expiration sur la tige de la soupape jusqu'à ce qu'il soit engagé.
- 3) Encliquetez les couvercles des soupapes d'expiration.
- 4) Encliquetez le jeu de sangles en engageant chaque émerillon en plastique dans la fente profilée et en tirant jusqu'à ce qu'il s'encliquette.
- 5) Procédez à un contrôle d'étanchéité à l'inspiration et à l'expiration. Placez le respirateur dans une boîte de rangement propre et sèche ou dans tout autre endroit de rangement approprié.

D. Rangement

La durée de conservation des éléments protecteurs dans leur boîte d'origine non ouverte est de 10 ans pour les filtres à particules et 5 ans pour les cartouches chimiques. La date limite d'utilisation est imprimée sur l'étiquette sous la forme suivante : jour, mois, année ; par exemple, 26 févr. 2012.

Rangez le respirateur, les filtres et les cartouches dans un endroit propre, frais et sec à l'abri de la lumière directe du soleil

VIII GARANTIE

Produit couvert par la présente garantie, qui s'avère être en contravention avec celle-ci au cours de sa période de validité. La garantie ne s'applique pas aux Produits qui ont été modifiés, mal utilisés, accidentés, utilisés contrairement aux spécifications et aux recommandations du fournisseur ou utilisés au-delà de leur vie utile ni aux Produits dont l'emballage a été modifié ou ouvert avant l'achat par l'utilisateur final. Le fournisseur ne donne aucune assurance ni garantie en ce qui concerne l'application ou l'effet de n'importe quelle législation, ordonnance, règle ou réglementation internationale, fédérale, d'état ou locale qui peut à présent ou ultérieurement avoir un rapport avec l'utilisation ou l'exploitation du Produit. SAUF DISPOSITION EXPRESSE DU PRÉSENT PARAGRAPHE, LE FOURNISSEUR NE DONNE AUCUNE ASSURANCE NI GARANTIE DE QUELLE QUE NATURE OU ESPÈCE QUE CE SOIT, EXPRESSE OU IMPLICITE, Y COMPRIS SANS S'Y LIMITER, AUCUNE GARANTIE DE VALEUR COMMERCIALE, D'APTITUDE DE N'IMPORTE LEQUEL DES PRODUITS À UNE FIN PARTICULIÈRE QUELCONQUE OU DE NON-CONTREFAÇON INDUSTRIELLE ET PAR LA PRÉSENTE RENONCE A DONNER DE TELLES ASSURANCES OU GARANTIES.

Afin de faire valoir vos droits au titre de la présente garantie, veuillez renvoyer le produit à votre distributeur, accompagné d'une description écrite du défaut invoqué et du justificatif d'achat. Votre distributeur fera parvenir le Produit au fournisseur pour analyser la validité de votre réclamation. Si la présente garantie existe en trois versions, anglaise, française et espagnole, la version anglaise fera autorité en cas de doute ou de litige à propos de l'interprétation de la présente garantie.

IX. ETIQUETTES NIOSH

Voir encarts.

ÍNDICE

- I Introducción
- II Advertencias y precauciones
- III Limitaciones en el uso de la mascarilla
- IV Guía de configuración y selección
- V Entrenamiento del usuario e instrucciones
 1. Porqué usar protección respiratoria
 2. Cambio de los elementos de protección
 3. Inspección antes del uso
 4. Instrucciones para colocar, usar y sacar la mascarilla
- VI Mantenimiento, limpieza y almacenamiento
- VII Garantía
- VIII Etiquetas NIOSH

1. INTRODUCCIÓN

La serie de mascarillas de purificación de aire (APR) de Sundström Safety SR comprende 2 modelos de mascarillas. Ambos modelos brindan al usuario el mismo nivel de protección de las vías respiratorias y funcionan de la misma manera. Todas las instrucciones de uso se incluyen en este manual y salvo indicación contraria son idénticas para todos los modelos. Toda la serie de mascarillas SR ha sido probada y aprobada por NIOSH, certificando que provee la protección estipulada en la CFR 42, sección 84.

Este manual está dividido en nueve secciones, todas igualmente importantes. Brinda al usuario de la mascarilla la información básica indispensable para realizar el control, uso, mantenimiento y cuidados correctos de la mascarilla Sundström.

Este manual contiene solamente una parte de un programa completo para mascarillas de purificación de aire. Un programa correctamente planificado para mascarillas, incluye también pruebas de adaptación, documentación correcta y tratamiento activo del profesional de seguridad local. Todas las regulaciones y recomendaciones comprendidas en los documentos OSHA, especialmente 29 CFR 1910.134; las normas EPA, la norma Z88:2 del Instituto Norteamericano de Normas Nacionales (ANSI) y todas las regulaciones estatales, provinciales y locales deben ser incluidas en un programa completo.

ADVERTENCIA

Ud. debe identificar todos los posibles peligros para la respiración y las concentraciones de los tóxicos, antes de que una persona competente pueda determinar si la mascarilla Sundström, equipada con los cartuchos o filtros apropiados, brinda la protección respiratoria adecuada.

II. ADVERTENCIAS Y PRECAUCIONES

Este producto no debe ser utilizado sin conocer completamente todos sus componentes y comprender a fondo su funcionamiento. Lea este folleto a conciencia y utilícelo como referencia siempre que tenga dudas. Antes de penetrar en una zona con atmósfera enrarecida, debe cumplir satisfactoriamente con todos los requisitos de entrenamiento federales y locales.

Se debe prestar atención especial a los avisos de Advertencia, Precaución y Notas de este manual. Las Notas, Precauciones y Advertencias han sido encuadradas de manera especial para indicar que la información allí contenida es de importancia especial:

NOTA

Procedimientos y técnicas de importancia tal que deben ser especialmente atendidas.

PRECAUCIÓN

Procedimientos y técnicas que pueden causar avería al equipo si no son seguidas cuidadosamente.

ADVERTENCIA

Procedimientos y técnicas que pueden resultar en accidentes personales o causar la muerte si no son seguidas cuidadosamente.

III. LIMITACIONES EN EL USO DE LA MASCARILLA

ADVERTENCIA

Si no se lee, comprende y siguen minuciosamente estas instrucciones antes de usar el producto pueden producirse daños personales o incluso la muerte.

Las mascarillas purificadoras de aire (APR) han sido diseñadas, testadas y aprobadas oficialmente para ofrecer protección respiratoria a personas adecuadamente formadas para su uso en determinadas atmósferas peligrosas. El usuario de la mascarilla no debe penetrar en entornos peligrosos que lleguen a o exceden los siguientes umbrales:

Máxima Concentración de Uso (MCU)

- 10 veces el umbral de exposición (TWA) al tóxico presente.
- Presencia del contaminante en concentraciones de peligro inmediato para la vida o la salud (IDLH).
- Los límites expresos en la aprobación NIOSH:
 - No han de usarse en atmósferas cuyo contenido en oxígeno es inferior al 19,5 por ciento.
 - No han de usarse en atmósferas que suponen un peligro inmediato de muerte o para la salud.
 - No exceder el uso máximo en concentraciones establecidas según estándares aprobados.

- Siga los programas de cambio de cartucho y recipiente establecidos o seguir las normas ESLI para garantizar que los cartuchos y recipientes sean sustituidos antes de que ocurra su rotura.
 - El uso y mantenimiento incorrectos de este producto puede resultar en lesiones o incluso la muerte.
 - La Administración de seguridad y salud laboral exige el uso de gafas protectoras como esta mascarilla en ambientes con formaldehído.
 - Siga las instrucciones de uso del fabricante para el cambio de cartuchos y/o filtros.
 - Todas las mascarillas aprobadas han de ser elegidas, montadas, usadas y mantenidas en conformidad con MSHA, OSHA y otras disposiciones aplicables.
 - Nunca sustituya, modifique, añada u omita piezas. Utilice únicamente las piezas de sustitución exactas según la configuración especificada por el fabricante.
 - Para información en el uso y mantenimiento de estas mascarillas les remitimos a las instrucciones del usuario y/o manuales de mantenimiento.
 - NIOSH no valora las mascarillas para usos quirúrgicos.
- d. Cualquier limitación aplicable contenida en las normas establecidas por una agencia reguladora (como por ejemplo una agencia federal, estatal o local) con jurisdicción sobre el usuario.

ADVERTENCIA

Esta mascarilla no puede eliminar todos los contaminantes de un entorno peligroso. Prestar atención especial a las Concentraciones Máximas de Uso (MUC), límites y otras restricciones.

Además de la Máxima Concentración de Uso (MUC), las limitaciones y las advertencias del texto, los siguientes puntos generales de seguridad deben ser leídos y comprendidos por todo aquél que vaya a utilizar la mascarilla Sundström.

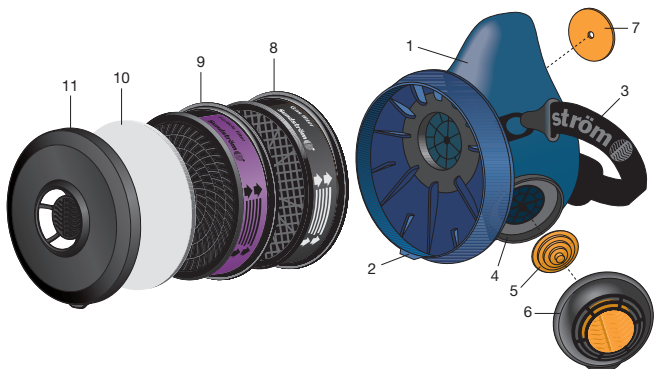
1. Esta mascarilla ha sido diseñada para ser usada solamente por PERSONAL ENTRENADO Y CUALIFICADO.
2. La elección de la mascarilla debe basarse en el conocimiento completo y evaluación profesional de los contaminantes y de su concentración máxima en el entorno en cuestión.
3. Las mascarillas de purificación de aire no deben ser utilizadas en la lucha estructural contra incendios.
4. Esta mascarilla NO DEBE SER USADA como protección en entornos que contengan tóxicos que puedan penetrar, irritar o afectar la piel o los ojos, salvo que se use en equipo adicional apropiado.
5. Esta mascarilla NO DEBE SER UTILIZADA contra sustancias que no tengan advertencias claras sobre sus propiedades.
6. Esta mascarilla no ha sido aprobada como protección contra el chorreado abrasivo, incluyendo el chorreado con arena.
7. La mascarilla Sundström debe ser equipada con un filtro de purificación de aire un cartucho químico o una combinación de filtro/cartucho aprobados por NIOSH e instalados correctamente.
8. Esta mascarilla debe ser colocada correctamente por el individuo que la usa. No utilizar la mascarilla Sundström si se tiene demasiada barba que impide un sellado correcto. No utilizar esta mascarilla si una cicatriz u otra característica física especial impide una adaptación correcta.

9. Antes de usarla, leer siempre las etiquetas de aprobación del cartucho y del filtro. Los productos de purificación de aire diseñados solamente para proteger contra partículas transportadas por el aire NO DEBEN SER UTILIZADOS para protegerse contra vapores ni gases. Los productos de purificación de aire diseñados solamente para proteger contra vapores y gases NO DEBEN SER UTILIZADOS para protegerse contra partículas transportadas por el aire.
10. La vida útil de los productos de purificación de aire varía de acuerdo a la concentración y el tipo de contaminante/s y a la actividad del usuario. Cambiar los productos de purificación de aire en cuanto se noten indicaciones de averías o pérdida de la eficacia o cuando ello sea indicado por una autoridad competente.
11. Cuando se usa para protección contra isocianatos, usar las protecciones adecuadas para evitar irritaciones en piel y ojos.
12. Ante cualquiera de las señales de peligro citadas a continuación, abandone el área peligrosa inmediatamente, vuelva al aire puro y si es necesario solicite asistencia.
 - a. Dificultades para respirar.
 - b. Disnea o náuseas.
 - c. Siente el gusto o el olor de los contaminantes.
 - d. Cualquier otro efecto físico que perciba..

Si la autoridad competente no ha especificado la protección adecuada, o si usted tiene dudas sobre la aplicación, selección o mantenimiento de este equipo, consulte a su supervisor, profesional de seguridad o la organización local de salud. No penetre a un entorno contaminado. También se puede consultar con Sundstrom Safety Inc, al teléfono gratis 1-877-SUNDSTROM.

IV GUÍA DE CONFIGURACIÓN Y SELECCIÓN

CONFIGURACIÓN



1. Cuerpo de la mascarilla, Silicona SR 100 (3 tallas-Pequeña/Mediana, Mediana/Grande o Grande/Extragrande)
Cuerpo de la mascarilla, TPE SR 90-3 (2 tallas-Pequeña/Mediana o Mediana/Grande)
2. Fijación del filtro
3. Sección de cabeza
4. Asiento de válvula
5. Membrana de exhalación
6. Tapa de protección
7. Membrana de inhalación
8. Cartucho químico
9. Filtro de partículas P100
10. Prefiltro
11. Soporte de prefiltro

MASCARILLAS

Silicona SR 100, Grande/Extragrande
Silicona SR 100, Mediana/Grande
Silicona SR 100, Pequeña/Mediana
TPE SR 90-3 Mediana/Grande
TPE SR 90-3 Pequeña/Mediana

Referencia de pedido

H01-2821
H01-2021
H01-2121
H01-2621
H01-2721

FILTROS/CARTUCHOS/PREFILTROS

| | |
|---------------------------------|----------|
| Cartucho OV, SR 218-6 | H02-2121 |
| Cartucho CL/HC/SD/FM, SR 231 | H02-3621 |
| Cartucho OV/SD/CL/HC/HF, SR 232 | H02-3721 |
| Cartucho AM/MA, SR 229 | H02-4321 |
| Filtro P100, SR 510 | H02-1321 |
| Prefiltro, SR 221 | H02-0121 |

REPUESTOS

| | |
|---|----------|
| Correas para la cabeza | R01-2002 |
| Almohadilla | R01-2001 |
| Juego de membranas (2 de exhalación, 1 de inhalación, 2 tapas de protección) | R01-2004 |

ACCESORIOS

| | |
|--|----------|
| Servilletas de limpieza | H09-0401 |
| Capuchón protector Tyvek | H09-0321 |
| Capuchón contra salpicaduras químicas | H09-1021 |
| Soporte del prefiltro | R01-0605 |
| Soporte del prefiltro 5153-2 | R01-0604 |
| Disco de prueba SR 322 (para soporte del prefiltro 5153-2) | R01-0303 |
| Estuche | H09-3021 |
| Adaptador de prueba de estado cuantitativo | T01-1202 |
| Etiqueta ID permanente | R09-0101 |
| Apagachispas, SR 336 | T01-2001 |
| Amplificador de voz, ST2-SR | T01-1219 |

ELEMENTOS DE PROTECCIÓN

Los elementos de protección de la mascarilla Sundström son (4) cuatro cartuchos aprobados por NIOSH y un filtro de partículas P100. También hay un prefiltro para reducir el polvo molesto, el cual se puede adquirir como accesorio para usar con todos los elementos protectores.

Cartuchos químicos

Un cartucho químico absorbe los vapores químicos para los que ha sido fabricado, en un entorno contaminado. Este proceso continúa hasta que el agente absorbente se satura y permite que el tóxico pase por el cartucho y sea detectado por el usuario. Cada cartucho químico ha sido diseñado para proteger contra tóxicos determinados. Cambie el cartucho inmediatamente cuando detecte tóxicos en el interior de la mascarilla.

Filtros de partículas

Estos filtros protegen contra las partículas. Los filtros de partículas de Sundström atrapan y mantienen las partículas en el elemento filtrante. Dado que la cantidad de partículas contaminantes aumenta, la resistencia a la respiración se incrementa. Cambiar el filtro cuando se note que la respiración es dificultosa. El filtro P100 tiene una eficacia del 99,97% contra partículas en aerosol.

Combinación de los elementos de protección

Un cartucho químico apropiado puede ser combinado con filtro P100 para brindar protección contra una combinación de ciertos vapores, gases y partículas. **Cambie el cartucho cuando sienta el olor o el gusto del agente tóxico. Cambie el filtro cuando comience a notar que la resistencia a la respiración aumenta.**

Prefiltro

El prefiltro Sundström no es un elemento de protección independiente. Ha sido diseñado para evitar que las partículas de polvo molestas lleguen a los elementos de protección. Esto aumenta la vida de servicio de los elementos de protección primarios.

ADVERTENCIA

El prefiltro no debe ser usado nunca como elemento de protección primario ni como sustituto del filtro P100.

V. ENTRENAMIENTO DEL USUARIO E INSTRUCCIONES

ADVERTENCIA

No terminar el entrenamiento de usuario sin haber leído y comprendido todas las instrucciones de este librito.

Esta sección ha sido diseñada para el usuario y su responsable de seguridad. Contiene la mínima información necesaria para instruir a los usuarios en forma segura y cómo ponerse, quitarse y probar la mascarilla Sundström, y de qué manera cambiar los elementos de protección. Este aspecto del entrenamiento ha sido incluido como suplemento de las instrucciones contenidas en el resto de este manual.

Según las condiciones locales, pueden ser necesarias instrucciones adicionales. Sundström alienta todas las medidas destinadas a estimular la seguridad de los programas de respiración para completar todo lo que sea posible la información local e incrementar así la seguridad laboral y completar el presente texto básico. Pida al distribuidor Sundström más cercano una Guía para el instructor (Instructor's Guide).

1. ¿PORQUÉ USAR PROTECCIÓN RESPIRATORIA?

A. ¿Porqué es necesaria la protección respiratoria?

La protección respiratoria es necesaria siempre que se esté en un entorno que puede ser nocivo para la salud. Según la sustancia presente en el entorno contaminado, el riesgo puede ser:

NOCIVO PARA LOS PULMONES
Bronquitis, edema, neumonía

NOCIVO PARA ÓRGANOS VITALES
Riñones, hígado, cerebro

CANCER

INVALIDEZ PERMANENTE
Asma, silicosis, asbestosis o enfisemas

o, en el peor de los casos
LA MUERTE

ADVERTENCIA

No entre en un entorno contaminado o desconocido sin haber preguntado al responsable de seguridad que tipo de protección se necesita. Utilice todo el equipo protector y úselo correctamente. Ante el primer signo de peligro, abandone el área contaminada, pida ayuda e informe del problema a la autoridad competente.

B. ¿Qué es una mascarilla respiratoria?

La mascarilla respiratoria de Sundström cubre la nariz, la boca y debajo del mentón, se mantiene presionada contra la cara con un correaje elástico; utiliza elementos de protección para filtrar el aire contaminado antes de que llegue a las vías respiratorias y tiene válvulas que se abren para permitir exhalar el aire y se cierran para que no entren los tóxicos.

C. ¿Qué tipo de protección brinda una mascarilla respiratoria?

Una mascarilla respiratoria correctamente utilizada protege contra niveles específicos de:

Partículas

Gases y vapores

Virus y bacterias

Moho y fibras

PERO las mascarillas NO DEBEN ser utilizadas:

En entornos con deficiencia de oxígeno

En entornos que puedan ser nocivos para los ojos

En entornos de Peligro Inmediato para la Vida o la Salud (IDHL)

Cuando los contaminantes son desconocidos

ADVERTENCIA

Tenga presente los Límites Máximos de Uso y siga las instrucciones de su responsable de seguridad

D. ¿Cómo saber qué filtro o cartucho utilizar?

Su responsable de seguridad tiene la obligación de informarle qué filtro, cartucho o combinación utilizar, para brindarle la protección adecuada en su lugar de trabajo. Los elementos de protección se pueden distinguir gracias a los colores de las etiquetas NIOSH.

MORADO Partículas, Polvo, Vapores y Humos

NEGRO Vapores Orgánicos

AMARILLO Vapores Orgánicos, Dióxido de azufre, Cloro, Cloruro de Hidrógeno, Fluoruro de Hidrógeno

BLANCO Cloros, Cloruro de Hidrógeno, Dióxido de Azufre, Formaldehído

VERDE Amoníaco y Metilamina

Las etiquetas de aprobación NIOSH/DHHS de cada producto indican las limitaciones y requisitos. Todas las etiquetas NIOSH/DHHS actuales se encuentran impresas en las cajas de las mascarillas en una hoja titulada Sección VIII "ETIQUETAS NIOSH/DHHS" de este manual. El filtro Sundström P100 se puede combinar con todos los cartuchos químicos para brindar al usuario protección contra vapores, gases y partículas.

E. ¿Qué función tiene el prefiltro?

El prefiltro Sundström solamente puede utilizarse con un cartucho o un filtro P100 para disminuir los polvos molestos. Prolonga, además, la vida del elemento protector filtrando las partículas más grandes, impidiendo el taponamiento temprano de los elementos protectores primarios. Este prefiltro no es un elemento protector.

ADVERTENCIA

El prefiltro Sundström es un filtro delgado que no lleva ninguna impresión en los lados. No usar este filtro como elemento de protección..

F. ¿Qué pasa si no siento olores o si no les doy importancia?

El daño fisiológico de algunos contaminantes puede durar mucho tiempo y tardar meses en aparecer. El peligro de estos productos puede ser enmascarado por olores poco familiares o incluso olores agradables. Puede ocurrir que un olor no moleste ni le preocupe pero el contaminante, pese a ello, puede ser peligroso.

G. ¿Cuándo he de cambiar el filtro o el cartucho?

Cartucho químico - Cuando el usuario siente MOLESTIAS al respirar se detecta con frecuencia que se ha perdido la protección.

Ante cualquiera de las señales de peligro citadas a continuación, abandone el área peligrosa inmediatamente y vuelva a respirar aire puro. Compruebe la mascarilla y sustituya el elemento protector en caso necesario: y si es preciso solicite ayuda.

- Dificultad de respirar, mareos o náuseas, olores
- Disnea o náuseas
- Percibe el olor o el sabor de los contaminantes
- Cualquier otro efecto físico que perciba.

Si usted huele, percibe o siente un gusto inusual, salga del área contaminada, controle su mascarilla y cambie el elemento protector si es necesario. En ciertos entornos, la penetración puede ser difícil de detectar, o la detección puede ser demasiado tardía para permitirle una salida segura del área contaminada. Un protector purificado de aire no es apropiado. Sin embargo, bajo ciertas condiciones, los cartuchos químicos pueden ser utilizados, aunque deben ser cambiados después de un determinado período de exposición. El esquema correspondiente es definido por una autoridad competente y controlado por su responsable de seguridad.

ADVERTENCIA

Los cartuchos químicos consumidos dejan pasar humos y vapores peligrosos y el usuario puede no percibir cambios en la resistencia a respirar. Siga los procedimientos locales y todas las advertencias contenidas en el manual del usuario.

Filtros - Los filtros purifican el aire de partículas reteniendo las sólidas y permiten que entre en la mascarilla aire respirable. A medida que se va obturando el filtro con estas partículas la inhalación se vuelve incómoda. Si usted nota una mayor resistencia a la inhalación, abandone el área contaminada y cambie el prefiltro o, en caso necesario, el filtro protector.

Prefiltro - Este económico prefiltro se utiliza con un cartucho o un filtro P100. Cuando aumenta la resistencia a la respiración, cambie primero el prefiltro y si la resistencia no disminuye sustituya entonces el elemento protector.

2. CAMBIO DE LOS ELEMENTOS DE PROTECCIÓN

A. Instalación

Elija la protección apropiada. Deténgase en un entorno seguro y seleccione el cartucho y el filtro apropiados.

ADVERTENCIA

Introducir siempre el cartucho o filtro en el portafiltro con las flechas de la etiqueta apuntando hacia el frente

Si la protección adecuada requiere una combinación de filtro y cartucho, deténgase en un entorno seguro y seleccione el cartucho y el filtro apropiados.

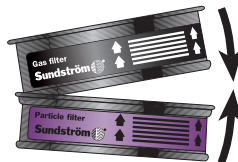
Combinación De Cartucho Y Filtro P100

- 1) Colocar el filtro P100 en la parte superior del cartucho. Unir ambos elementos protectores.

NOTA

El filtro P100 se engancha en el cartucho, pero el cartucho no se engancha en el filtro P100.

- 2) Apriete con fuerza hasta que oiga el primer encaje de P100 en el cartucho.
- 3) Trate de separar el filtro del cartucho para comprobar que estén correctamente unidos.



NOTA

**El filtro debe encajarse siempre en el cartucho.
El cartucho debe ser siempre encajado en la mascarilla..**

- 4) Coloque un prefiltro en el correspondiente soporte.
- 5) Encaje el soporte del prefiltro en el filtro o el cartucho.
- 6) Controle que esté correctamente unido al filtro/cartucho.

Instalación Del Elemento Protector En La Mascarilla

- 1) Introduzca una parte del borde grande del elemento protector en la brida de montaje del filtro con las flechas de la etiqueta apuntando hacia "este lado hacia la cara" (this side toward face).
 - 2) Coloque con los dedos el borde de la brida de montaje alrededor del elemento protector hasta que todo el borde del cartucho/filtro P100 esté dentro del montaje del filtro.
 - 3) Apriete el canto superior del elemento y el canto inferior del montaje del filtro hasta que la brida de montaje del filtro toque el canto del cartucho.
 - 4) Controle que todo el canto del porta-filtro toque el elemento protector.
- Tire del elemento protector para verificar que esté correctamente instalado.

ADVERTENCIA

Para que la protección sea correcta, el elemento protector debe estar correctamente montado en la mascarilla antes de entrar en un entorno peligroso.

B. Desmontaje

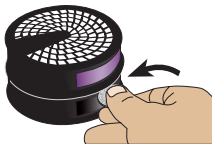
- 1) Sacarse la mascarilla.
- 2) En el fondo del soporte del filtro, encontrará una pequeña lengüeta en el lateral del elemento protector.
- 3) Tome el elemento protector con una mano y la lengüeta entre el índice y el pulgar de la otra mano.
- 4) Tire de la lengüeta al mismo tiempo que tira del cartucho.

NOTA

**Deseche los cartuchos o filtros usados en la forma apropiada.
Siga las normas vigentes y las instrucciones locales correspondientes.**

Separación del cartucho del filtro P100.

- 1) Coloque una moneda entre el borde inferior del filtro P100 y la lengüeta pequeña del perfil del cartucho.
- 2) Presione con firmeza y gire la moneda hasta que el filtro se suelte.



3. INSPECCIÓN ANTES DEL USO

A. Controles previos al uso

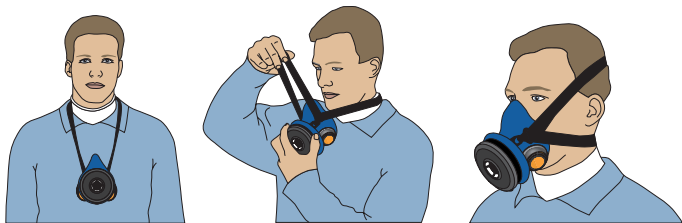
Antes de utilizar la mascarilla realice siempre los siguientes controles.

- 1) Controlar que sea del tamaño correcto.
- 2) Verificar que esté seca y limpia.
- 3) Controle que ni la mascarilla ni las válvulas y el correaje estén gastados ni tengan cortes o roturas, que no le falten partes y que no haya otros defectos.
- 4) Controle que el cartucho químico, el filtro o la combinación de ambos estén instalados correctamente.

4. INSTRUCCIONES PARA COLOCAR, USAR Y SACAR LA MASCARILLA

A. Colocación

- 1) Quítese el casco o gorro si se tiene, las gafas y el protector auricular.
- 2) Sostenga la mascarilla con una mano, tomar la hebilla y tire de la correa de la cabeza hasta que la almohadilla o el cabestrillo quede junto a la mascarilla.
- 3) Desenrosque los enredos.
- 4) Sostenga la correa con una mano y pásela con la otra sobre la cabeza acomodándola en la nuca..



- 5) Deje que la mascarilla cuelgue sobre el pecho.
- 6) Tome la correa o el cabestrillo con una mano y el filtro o cartucho con la otra
- 7) Sostenga la mascarilla contra la cara.
- 8) Coloque la correa o el cabestrillo sobre la parte superior de la cabeza.
- 9) Realice un control de adaptación.

B. Ajuste del correaje

- 1) Tome detrás de la nuca la punta libre de la correa.
- 2) Tire desde la nuca hasta que la hebilla se abra.

NOTA

Si es necesario, tome el otro lado de la correa cerca de la hebilla para hacer más fuerza.

- 3) Tire de la punta libre de la correa hasta que sienta que la mascarilla se adapta cómodamente a la cara.

- 4) Cierre la hebilla apretando con el pulgar y el índice.
- 5) Mueva la mascarilla hasta que la sienta correctamente adaptada.
- 6) Realice un control de adaptación.

C. Control de adaptación

ADVERTENCIA

Se debe realizar un control de adaptación cada vez que se vaya a utilizar la mascarilla. Si la mascarilla no es completamente hermética, al entrar en la zona contaminada, la protección puede ser poca o nula.

Control de adaptación negativo.

- 1) Instale del elemento de protección.
- 2) Enganche el soporte del prefiltro sobre el cartucho o el filtro.
- 3) Colocación del respirador.
- 4) Ubique la palma de la mano sobre el orificio del soporte del prefiltro con delicadeza.

Nota: No ejerza mucha presión ya que la forma del respirador se puede ver afectada.



- 5) aspire suavemente. El respirador debe plegarse hacia la cara.
- 6) Contenga la respiración unos segundos. No debe entrar aire en el respirador.
- 7) Retire la palma de la mano del soporte del prefiltro.
- 8) Respire normalmente.

Si se detecta alguna pérdida, controle las válvulas de inhalación y exhalación, ajuste las correas del arnés de cabeza o cambie el tamaño del respirador. Repita el control de ajuste hasta que no se observe ninguna pérdida.

D. Sacarse la mascarilla

- 1) Tome el filtro o cartucho con una mano.
- 2) Tome la almohadilla de la mollera o el cabestrillo y tire hacia delante sobre su cabeza.
- 3) Tire de la mascarilla hacia abajo hasta que la correa se alargue y la mascarilla quede colgada sobre su pecho.
- 4) Tome la correa de la nuca y pásela sobre la cabeza hacia delante.
- 5) Limpie y guarde la mascarilla si es necesario.

VI MANTENIMIENTO, LIMPIEZA Y ALMACENAMIENTO

PRECAUCIÓN

Una mascarilla sucia reduce la protección. Se debe establecer un programa escrito que debe ser cumplido para la limpieza y desinfección. Este programa debe incluir todas las disposiciones federales y locales.

A. Desarme

- 1) Quite todos los elementos de protección.
- 2) Quite las tapas de las válvulas de exhalación y las membranas (son dos).
- 3) Quite las tapas de la válvula de exhalación.
- 4) Tome suavemente las aletas de respiración con los dedos y retírelas de la clavija central.
- 5) Desarme el correaje de la cabeza colocando los dos puntos de conexión hacia el montaje del filtro. (Opcional – El correaje puede ser lavado, pero se debe secar muy bien.)
- 6) Retire suavemente la aleta de inhalación desde dentro de la mascarilla.

B. Limpieza

- 1) Limpie con agua caliente jabonosa o con un limpiador de mascarillas y un cepillo suave, un paño sin pelusas o una esponja.
- 2) Durante la limpieza no se deben exceder los 104 °F (40 °C). Nunca utilice disolventes para limpiar la mascarilla. Agentes de limpieza y desinfectantes fuertes pueden dañar el caucho y el plástico.
- 3) Desinfecte la mascarilla. Utilice un agente de desinfección aprobado o una solución de 2 cucharadas de lejía disueltas en unos 4 litros de agua (solución de cloro a 50 PPM), o una cucharada de té de tintura de yodo en unos 4 litros de agua (solución de yodo a 50 PPM). Por lo menos durante 2 minutos.
- 4) Enjuagar bien.
- 5) Controle el estado de la mascarilla y sus partes. Cambie las piezas averiadas o defectuosas.
- 6) Seque la mascarilla y sus partes

C. Ensamblaje

- 1) Controle el borde de la válvula de inhalación. Tire suavemente de la solapa hasta que se suelta del perno.
- 2) Presione todas las aletas de la válvula de exhalación sobre el perno de la válvula hasta que éste 'salte'.
- 3) Coloque las tapas de las válvulas.
- 4) Coloque el correaje poniendo cada uno de los ganchos plásticos en la ranura y apriete hasta que quede enganchado.
- 5) Haga un control de adaptación. Guarde la mascarilla en una caja limpia y seca o en otro lugar de almacenamiento apropiado.

D. Almacenamiento

Vida de servicio de elementos protectores en sus envases no abiertos: Filtro de partículas, 10 años; cartucho químico, 5 años. La fecha de expiración está impresa en la etiqueta: día, mes, año; p. ej. 26 FEB 2012.

Guarde la mascarilla, los filtros y los cartuchos en lugar limpio y seco, fuera de la luz solar directa. Los filtros y cartuchos químicos tienen una vida recomendada de cinco (5) años.

VIII GARANTÍA

El proveedor garantiza a todo comprador de un Producto, y que sea el usuario de dicho Producto, que el producto está libre de defectos de material y fabricación, excepto el desgaste y deterioro natural por un año a partir de la fecha de compra por el usuario final. Además, el Proveedor garantiza que el producto cumple con las normas NIOSH vigentes en el momento de la compra. La única obligación del proveedor y la única y exclusiva compensación para con el usuario final durante el tiempo de validez de esta garantía, queda limitada al reemplazo del Producto cubierto por esta garantía, durante el período de validez estipulado. La garantía no es válida para productos que hayan sido alterados, usados en forma incorrecta, sufrido accidentes, que hayan sido usados violando las especificaciones y recomendaciones indicadas por el Proveedor o que hayan sido utilizados después de la fecha de vencimiento, ni para ningún producto cuyo embalaje haya sido alterado o abierto antes de la compra por el usuario final. El Proveedor no aceptará quejas ni ofrece garantías respecto a la aplicación o efecto de ninguna ley, ordenanza, norma o regulación internacional, federal, estatal o local que en el presente o en el futuro pueda referir al uso o funcionamiento de este Producto. SALVO LO EXPRESAMENTE INDICADO EN ESTE PÁRRAFO, EL PROVEEDOR NO ACEPTA QUEJAS NI OFRECE GARANTÍA DE NINGÚN TIPO, NATURALIEZA O CLASE, EXPRESA O IMPLÍCITA, INCLUIDA, SIN LIMITACIÓN, CUALQUIER GARANTÍA DE COMERCIALIZACIÓN, ADAPTACIÓN DE NINGUNO DE LOS PRODUCTOS PARA UN DETERMINADO USO PARTICULAR O NO TRANSGRESIÓN Y EN CONSECUENCIA NO SE HACE RESPONSABLE DE LA MISMA.

Para beneficiarse según los términos de esta garantía, devuelva el Producto a su vendedor junto con una descripción escrita del defecto descubierto y el boleto de compra. Su distribuidor se encargará de enviar el Producto al Proveedor para analizar la validez de su queja.

IX ETIQUETAS NIOSH

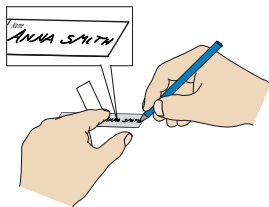
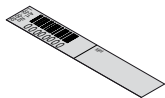
Véanse las páginas correspondientes.

ID-tag • Étiquette ID Etiqueta de identificación

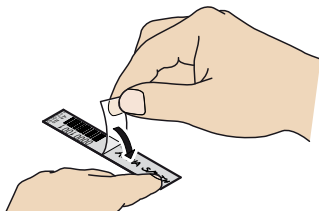
The label can withstand washing and will normally last throughout the life of the mask.

L'étiquette supporte le lavage et doit normalement durer autant que le masque.

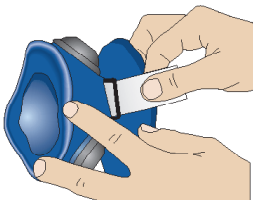
La etiqueta soporta el lavado y normalmente dura toda la vida de servicio de la careta.



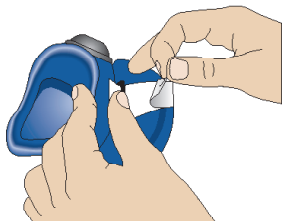
Fold flap away before writing.
Soulever la languette avant d'écrire.
Aparte la solapa al escribir.



Seal entry field.
Recouvrir la partie écrite.
Precinte el espacio para escribir.



Insert label half-way.
Enfoncer à demi l'étiquette.
Introduzca la etiqueta hasta la mitad.



Remove protective paper and stick label together.
Enlever la papier protecteur et coller l'étiquette.
Quite el papel de protección y adhiera ambas partes de la etiqueta.

Sundström ®