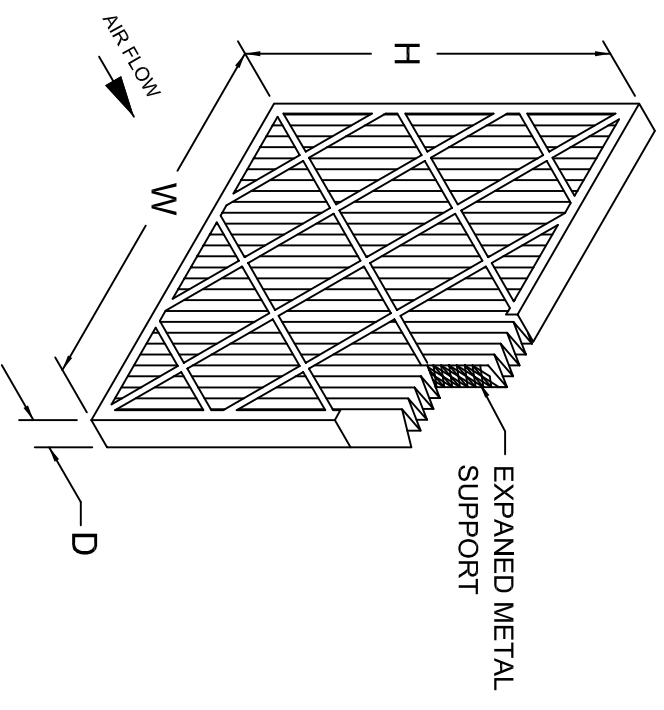


Size (inches) Nominal W x H x D	Size (inches) Actual W x H x D	Koch Part Number	Capacity (CFM)	Initial Resistance (Inches W.G.)	Media Area (Sq. Ft.)
10 x 20 x 2	9 1/2 x 19 1/2 x 1 3/4	102-380-011	700	0.27	4.0
12 x 20 x 2	11 1/2 x 19 1/2 x 1 3/4	102-112-002	840	0.27	4.5
12 x 24 x 2	11 3/8 x 23 3/8 x 1 3/4	102-380-012	1000	0.27	5.4
14 x 20 x 2	13 1/2 x 19 1/2 x 1 3/4	102-380-013	980	0.27	5.5
14 x 25 x 2	13 1/2 x 24 1/2 x 1 3/4	102-380-014	1215	0.27	6.9
15 x 20 x 2	14 1/2 x 19 1/2 x 1 3/4	102-380-015	1050	0.27	6.0
16 x 20 x 2	15 1/2 x 19 1/2 x 1 3/4	102-380-016	1115	0.27	6.5
16 x 24 x 2	15 1/2 x 23 1/2 x 1 3/4	102-380-053	1340	0.27	7.8
16 x 25 x 2	15 1/2 x 24 1/2 x 1 3/4	102-380-017	1400	0.27	8.1
18 x 20 x 2	17 1/2 x 19 1/2 x 1 3/4	102-112-015	1200	0.27	7.0
18 x 24 x 2	17 1/2 x 23 1/2 x 1 3/4	102-380-018	1500	0.27	8.4
18 x 25 x 2	17 1/2 x 24 1/2 x 1 3/4	102-112-009	1570	0.27	8.7
20 x 20 x 2	19 1/2 x 19 1/2 x 1 3/4	102-380-019	1400	0.27	8.0
20 x 24 x 2	19 1/2 x 23 1/2 x 1 3/4	102-380-020	1675	0.27	9.6
20 x 25 x 2	19 1/2 x 24 1/2 x 1 3/4	102-380-021	1740	0.27	10.0
20 x 30 x 2	19 1/2 x 29 1/2 x 1 3/4	102-112-010	2083	0.27	12.5
24 x 24 x 2	23 3/8 x 23 3/8 x 1 3/4	102-380-022	2000	0.27	11.4
25 x 25 x 2	24 1/2 x 24 1/2 x 1 3/4	102-380-050	2170	0.27	12.5
24 x 30 x 2	23 1/2 x 29 1/2 x 1 3/4	102-112-011	2500	0.27	14.2



Specifications:

1. Efficiency: MERV 10 (ASHRAE Standard 52.2-2017)
2. Final Resistance: 1.0" W.G.
3. Rated Velocity: 500 FPM
4. Classified per UL Standard 900
5. Max Operating Temp: 200 degree F and 93 C
6. Tolerance: Height & Width - +/- 1/8"
7. Tolerance: Depth - +/- 1/16"

Standard Construction:

1. New White 100% Synthetic Media
2. Rust Resistant Expanded Metal Support on Downstream Side
3. Moisture Resistant Beverage Board Frame (24 point)
4. Double Wall Frame
5. 10 Pleats per Linear Ft.



**Multi-Pleat XL 10
2" Standard Capacity**

REV
LTR

REVISION

BY /
DATE

8401 Air Commerce Drive - Louisville KY 40219
Phone: (502) 634-4796 FAX: (502) 637-2280

Drawn By: B. Chamberlain
Date: April 08, 2021

Revision