

What are the benefits of **FOUNDATIONLESS JIB CRANES ?**

Save Money!

Installing a poured foundation can be expensive, it can cost as much or more than the jib crane itself. With foundationless jib cranes, you eliminate the cost of pouring a concrete foundation, potentially saving thousands.

Save Time!

Poured foundations can take up to a week to cure before you can install the jib. Now there's no waiting. Machine downtime can be reduced by not needing to shut down machines to bring in special equipment to install a foundation.

Location Control

It's easy to relocate a jib where there's no poured foundation. That means more flexibility in choosing initial jib location. You can place it closer to machines or other obstructions, because there is no need for a large square foot area for a concrete pour. If your operational flow changes, you can easily relocate the jib to fit your changing needs.



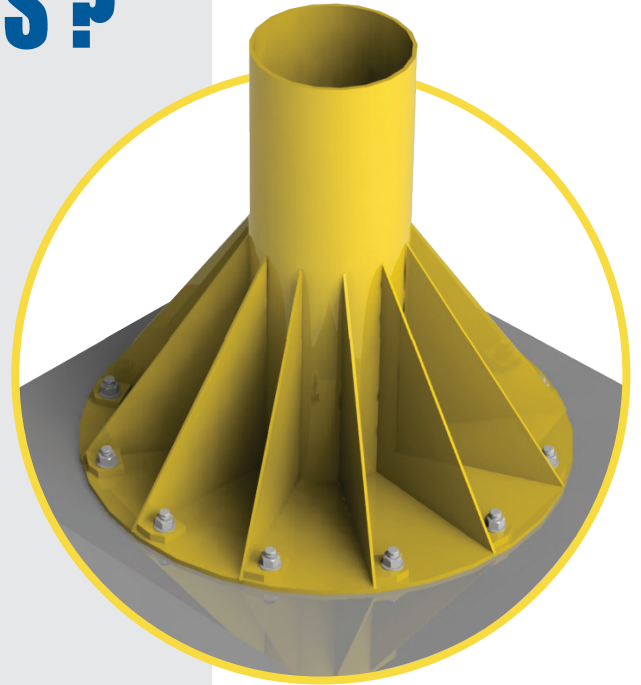
Why Gorbel

FOUNDATIONLESS JIBS ?

- More robust standard foundationless offering
- Optional baseplate to allow for foundationless installs, even with some larger designs
- Minimal installation requirements
- Gorbel's industry leading 5-Day Quick Ship program

INSTALLATION REQUIREMENTS

- 6" Engineered slab greater than or equal to 3000 psi concrete containing Grade 60 wire 12x12-W31/W31
- Mounted with chemical anchor bolts and mechanical grout
- See installation manual for exact installation requirements, subject to change without notices
- Gorbel recommends consulting a qualified engineer prior to mounting any crane system



Learn More:

www.gorbel.com/foundationless-offering