



Wash-Ware® 3506 Series

Circular Models - 6 or 8 Stations



3506-H-BO

Fixture May Show Some Available Options

Please visit www.acorneng.com for most current specifications.

Circular Models - 6 or 8 Stations

Bowl and Sprayhead are type 304 stainless steel with satin finish. Bowl has an integral sprayhead. Sprayhead is 15" diameter x 5-1/4" high.

Housing is black vinylclad, galvanized steel. Base is stainless steel.

Soap/Toiletry Tray on top of sprayhead is standard.

Sectional Control is standard. One pushbutton or sensor actuates one station.

Hand Pushbuttons (suffix option -H) operate metering non-hold open Air-Control Valves and can be field set for flow ranging from 5 to 60 seconds.

Electronic Sensor Operation (suffix option -SO) includes individual solenoid valves activated by infrared sensors. Sensor operation provides 30 seconds of flow once activated. A low voltage transformer is provided.

Foot Pushbuttons (suffix option -F) operate direct acting non-metering Air-Control Valves that permit the user to control the length of the washing cycle.

Spray Nozzles are vandal-resistant and provide a concentrated 0.5 GPM spray at each station.

Hot & Cold Supplies are blended in an ASSE 1070 compliant temperature/pressure balancing mixing valve with integral checks and strainers. A minimum of 30 PSI supply pressure is required.

Waste Connection is 2" No Hub. No Hub connector by others.

Retrofitting Existing Installations. These fixtures are ideal for replacement of old style circular washfountains, particularly where maintenance is excessive or when unsanitary conditions exist.

GUIDE SPECIFICATION

Provide and install Acorn Washfountain (specify model number and options) factory pre-assembled, with individual sectional control. Bowl shall be 14 gage stainless steel. Sprayhead shall be 18 gage stainless steel. Spray nozzles shall be vandal-resistant type with 0.5 GPM flow controls. Provide self-draining, air-circulating type soap/toiletry tray on top of sprayhead. Housing shall have stainless steel scuffguard base and black vinylclad galvanized steel panels. Framework shall be securely bolted to the floor. Provide an ASSE 1070 compliant temperature/pressure balancing mixing valve with integral checks and strainers in H & C supply and field set water temperature at 105 degrees Fahrenheit. When hand operated non-hold open metering valves are specified, timing cycle shall be field set for approximately (specify) seconds.

Wash-Ware®: 3506 Circular Models - 6 or 8 Stations



MODEL NUMBER AND OPTIONS SELECTION

BASE MODEL NUMBERS (Must Specify)

- 3506 Island Circular, Six Station
- 3508 Island Circular, Eight Station

FIXTURE MOUNTING AND WASTE (Must Specify)

- 3 On-Floor, Floor Outlet

OPERATION (Must Specify)

- F Foot Operation
- H Hand Operation
- PPZ Programmable Piezo Pushbutton Electronic Metering
- SO Sensor Operation
- SO-BAT Sensor Operation, Battery Powered (Batteries Not Included)

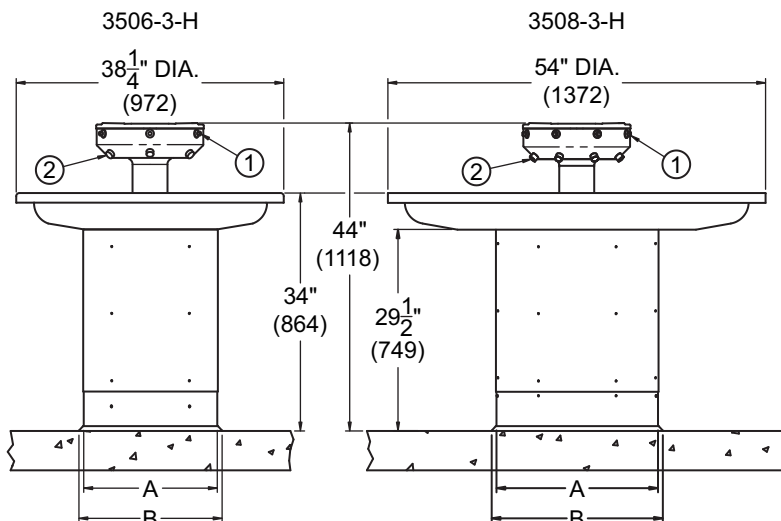
SUPPLY AND VENT (Must Specify)

- BO Bottom Supply; Vent Off Drain
- BT Bottom Supply; Vent Thru-Fixture
- TO Top Supply; Vent Off Drain
- TT Top Supply; Vent Thru-Fixture

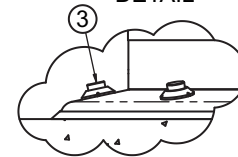
PRODUCT OPTIONS (Must Specify)

- DV Liquid / Lotion Soap Dispenser
- EG Enviro-Glaze Color, Bowl and Sprayhead
Specify: _____
- HB Hose Bibb, Specify: Left Side Right Side
- JH31 31" Junior Rim Height
- PCB Pipe Column Brace (Pipe By Others.)
- PDM Metering Liquid Soap Dispenser
(Not Available with -BT, -PCB, -SC, -TM, -TO, -TS, or -TT.)
- SC Supply/Vent Cover
Specify Ceiling Height: _____
- SPX 16 Gage Stainless Steel Housing
- ST Single Temperature Valve
- TM C or Multi-Fold Paper Towel Dispenser
- TS Single-Fold Paper Towel Dispenser

Please visit www.acorneng.com for most current specifications.



OPTIONAL -F FOOT OPERATION DETAIL



NOTES:

1. -H HAND OPERATED PUSHBUTTONS
2. SPRAY NOZZLES
3. OPTIONAL -F FOOT PUSHBUTTONS

| MODEL # | DIM "A" | DIM "B" | MODEL # | DIM "A" | DIM "B" |
|---------|---------------|---------------|---------|---------------|----------------|
| 3506-H | 19-1/4" (489) | 20-1/2" (520) | 3508-H | 23-1/4" (590) | 24-1/2" (622) |
| 3506-F | 23-1/4" (590) | 34-3/8" (873) | 3508-F | 34-3/8" (873) | 45-3/8" (1152) |

WARNING: Cancer and Reproductive Harm - www.P65Warnings.ca.gov

| | |
|---|--|
| <p>Important: Installation instructions and current rough-in are furnished with each fixture. Do not rough in without certified dimensions. Dimensions are subject to manufacturer's tolerance of plus or minus 1/4" and change without notice. Acorn assumes no responsibility for use of void or superseded data. © Copyright 2006 Acorn Engineering Company</p> | |
| <p>Selection Summary</p> <p>Model No. & Option _____</p> <p>Quantity _____</p> | <p>Approved for Manufacturing</p> <p>Company _____ Title _____</p> <p>Signature _____ Date _____</p> |