

## LIFTING BEAMS

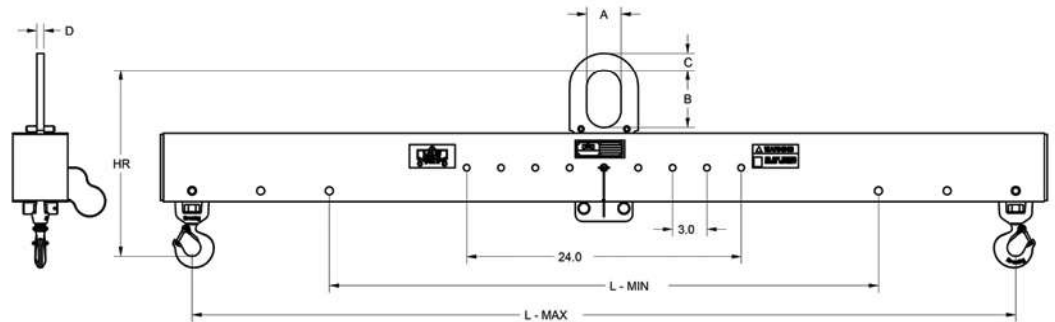
Adjustable Length Lifting Beams  
with Swivel Hook Bottoms



### ADJUSTABLE LENGTH LIFTING BEAMS WITH SWIVEL HOOK BOTTOMS

- Manufactured to exceed all ASME B30.20 and OSHA regulations.
- Painted safety yellow for increased visibility.
- **ALL** Lifting Beams proof loaded and shipped with certification paperwork.
- Durable construction ideally suited to jobsite or warehouse use.
- Quick and easy adjustment of unbalanced loads.
- Ideally suited to low headroom applications.
- Standard with hooks.
- Made in U.S.A.
- Custom designs available - call for engineering.
- **ALL** lifting equipment individually proof loaded per OSHA requirements.
- All dimensions in inches unless otherwise noted.

Prop 65 – See Page 100



Working Load Limit in Pounds*	Part Number	L min	L max	A	B	C	D	HR	Weight in Pounds
2,000	16410	48	72	3	5	0.75	0.63	13.8	85
2,000	16411	120	144	3	5	0.75	0.63	15.7	285
4,000	16412	48	72	3	5	1.5	0.63	14.6	135
4,000	16413	120	144	3	5	1.5	0.63	16.6	330
6,000	16414	48	72	3	5	1.5	0.63	16.2	160
6,000	16415	120	144	3	5	1.5	0.63	19.1	530
8,000	16416	48	72	4	7	2	0.75	18.9	200
8,000	16417	120	144	4	7	2	0.75	20.9	540
10,000	16418	48	72	4	7	2	0.75	21.2	300
10,000	16419	120	144	4	7	2	0.75	22.2	795
15,000	16420	48	72	4	7	2	1.00	22.1	315
15,000	16421	120	144	4	7	2	1.00	25.1	815

