


FORKLIFT ATTACHMENTS

Forklift Pocket Lifters

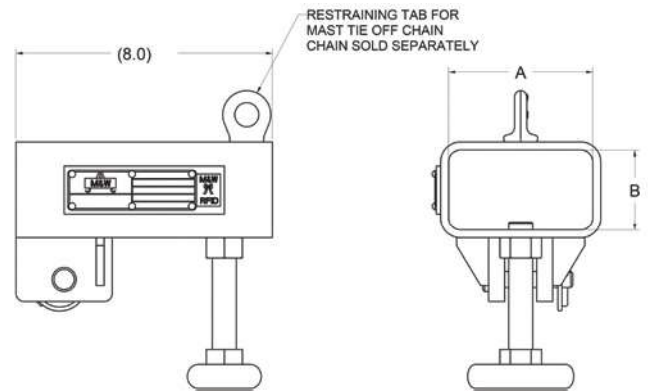
FORKLIFT POCKET LIFTERS

- Manufactured to exceed all ASME B30.20 and OSHA regulations.
- Painted safety yellow for increased visibility.
- **ALL** forklift attachments proof loaded and shipped with certification paperwork.
- OSHA required tie-off chain: Part Number 12345
- Includes forklift restraining tabs.
- Made in U.S.A.
- Custom designs available - call for engineering.
- Check with manufacturer of your forklift for load capabilities.

 Prop 65 – See Page 100

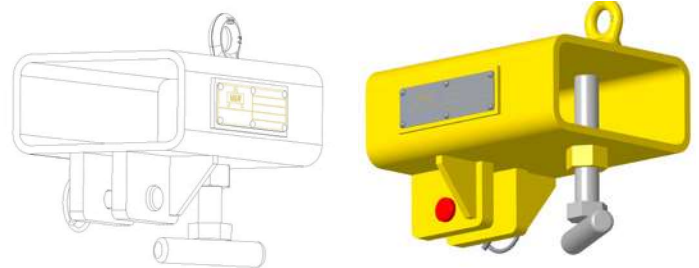
Working Load Limit in Pounds*	Part Number	A	B	Fork Width	Weight
3,000	11606	4.5	2.5	4	12
3,000	11607	5.5	2.5	5	13
3,000	11608	6.5	2.5	6	14
3,000	15427	7.5	2.5	7	15
5,000	14259	4.5	2.5	4	16
5,000	14250	5.5	2.5	5	18
5,000	14262	6.5	2.5	6	20
7,000	15764	6.5	2.5	6	35
7,000	16642	7.5	3.5	7	40
7,000	16643	8.5	3.5	8	44

* Call for specifications on larger sizes and capacities



OPTIONAL MAST TIE OFF CHAIN:

Part Number	
20410	Mast Tie Off Chain - 8' Long



WARNING: M&W fork beams, fork booms, fork pockets and other lift attachments are modifications or additions that affect capacity and/or safe operation of forklifts (powered industrial trucks) and shall not be used without prior written approval from the forklift manufacturer. Capacity, Operation, Maintenance instruction plates, tags, and/or Decals shall be changed accordingly and not provided by M&W.

Reference OSHA 1910.178 | Any forklift attachment must use a tie off restraint to prevent from sliding off forks, sold separately