

# 55 SERIES - LED BEACON



## 55 SERIES LED

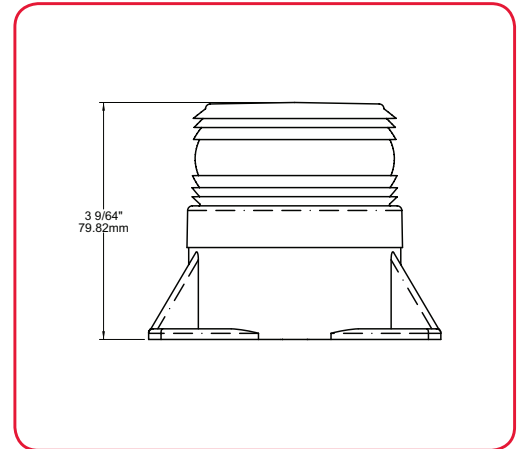
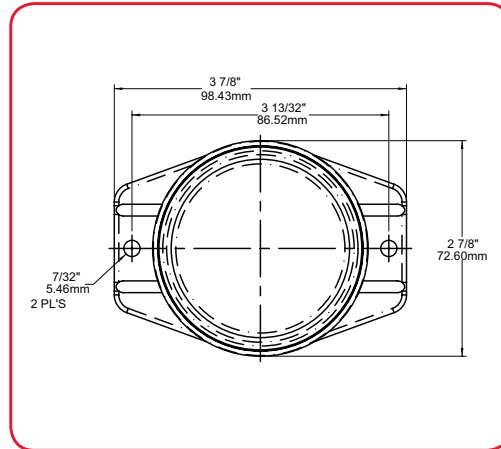
### Specifications:

- Mounting Base: Polycarbonate plastic, epoxy encapsulated & 2 hole
- Mount: Permanent
- Lens: Polycarbonate, sonic welded
- Profile: Low
- Lamp: 6 LEDs per head
- FPM: 60 ± 10 Quad
- Current Draw: .1AMP avg
- Voltage: 12-80VDC
- Warranty: 2 Year
- Colors: ● ● ● ● ●



### Certifications:

- UL approved
- CE



### Variations:

PART #	DESCRIPTION	PART #	DESCRIPTION
SY361005L-A-LED	12-80VDC, Amber LEDs, Amber lens, Permanent mount	SY361005L-G-LED	12-80VDC, Green LEDs, Clear lens, Permanent mount
SY361005L-B-LED	12-80VDC, Blue LEDs, Blue lens, Permanent mount	SY361005L-R-LED	12-80VDC, Red LEDs, Red lens, Permanent mount
SY361005L-C-LED	12-80VDC, Clear LEDs, Clear lens, Permanent mount		

### Replacement Parts & Accessories

PART #	DESCRIPTION
SY361011L	Guard

### APPLICATIONS:



US: 16355 South Lone Elm Road • Olathe, KS 66062 • USA  
 Canada: 1039 Cardiff Blvd. • Mississauga, Ontario L5S 1P4 • Canada

P: 913-780-1440 • TOLL FREE 800-447-3693 • F: 913-780-1427  
 E: info@superiorsignals.com • www.superiorsignals.com